

General Specifications

GS 07R01Y02-E-E

Manifolds for DPHarp EJA and EJX
Pressure and Differential
Pressure Transmitters



Yokogawa Europe B.V. has included Wika Instruments manifolds in its DPHarp pressure and differential pressure transmitters portfolio to suit all type of specifications and installations. 2-3-5 valve manifolds - together with relevant accessories - are available in a variety of connections, configurations and body materials for pressure, flow, temperature or other common process variable instruments.

Contact your nearest Yokogawa office for quotations.

Model Code Description:

- 2 valve Block and Bleed Manifold for DPHarp EJA-E/EJX 510A/530A-E series
- 2 valve Remote Mount Block and Bleed Manifold DPHarp EJA-E/EJX 510A/530A-E series
- 2 valve Direct Mount Block and Bleed Manifold for DPHarp EJA-E/EJX 510A/530A-E series

- 3 valve Direct Mount Block and Bleed Manifold for DPHarp EJA-E/EJX 310/430A-E series
- 5 valve Direct Mount Block and Bleed Manifold for DPHarp EJA-E/EJX 110A/120A/130A-E series

- 3 valve Remote Mount Block and Bleed Manifold for DPHarp EJA-E/EJX 110A-E/120A-E/130A-E series
- 5 valve Remote Mount Block and Bleed Manifold for DPHarp EJA-E/EJX 110A-E/120A-E/130A-E series

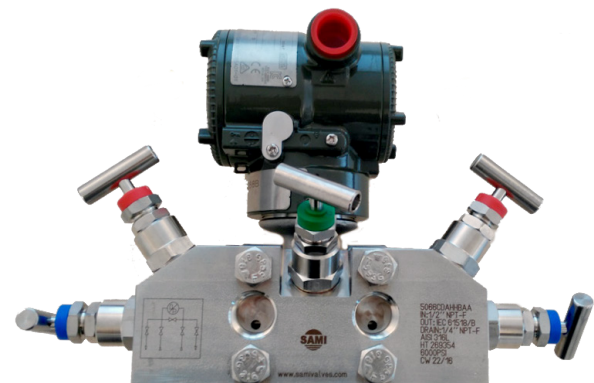


Manifold Construction:

- 316/316L Stainless Steel (code B)
- 7/16" x 2" or 7/16 x 1 3/4" or 1/16" x 1" UNF (according to the model) zinc plated carbon steel or stainless steel bolts
- NACE compliant
- Oxygen clean service (/LOX2 option)
- Optional mounting brackets
- 3.1 material certificate always included
- Assembly of transmitter including 6 bar pressure test

Other materials on request:

Monel (code F), Duplex (code D), Super Duplex (code E), Hastelloy (code G), Carbon Steel (code LF2), Titanium (code I)



Manifold Rating:

- Direct mount manifolds are rated up to 6000 psig (414 barg)
- Remote mount manifolds are rated up to 6000 psig (414barg) and 10 000 psig (689 barg)

Manifold Marking:

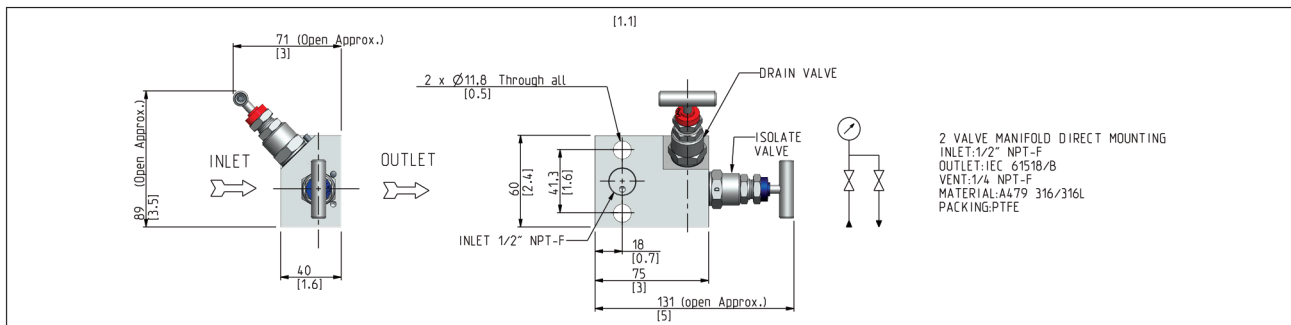
- All manifolds are permanently marked with line diagram showing manifold capability

1. Two Valve Manifolds 2000 Series

This series of two-valve manifolds combines valves into one block to perform isolation, bleed and calibration of pressure transmitters. Process, Instrument and Vent connections can be provided in a variety of sizes and threaded forms including NPT, BSPT and BSPP. Several models of brackets can be supplied to allow the installation both in site and on panels.

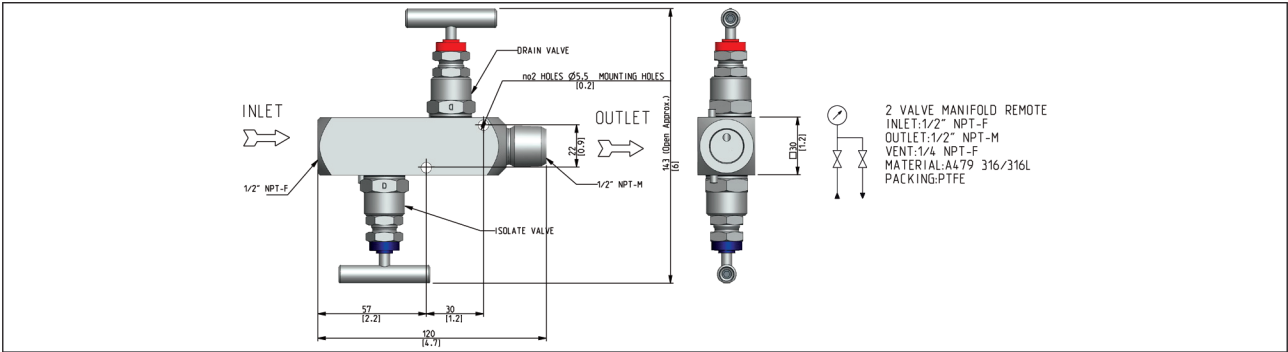
- **1.1 Features**
 - : Tee bar easy manoeuvrability with minimum effort
 - : PTFE packing standard, optional graphoil
 - : 316/316L Stainless steel construction as standard, optional: see material list
 - : Colour coded functional identification
 - : Externally adjustable gland
 - : Variety of end connections
 - : Dust cap to prevent contaminations on the operating thread
- **1.2 Specifications**
 - : Pressure up to 10,000 Psi (690 Bar)
 - : Temperature rating PTFE packing from -55°C to $+204^{\circ}\text{C}$ (-65°F / $+400^{\circ}\text{F}$)
 - : Temperature rating GRAPHOIL packing from -55°C to $+538^{\circ}\text{C}$ (-65°F / $+1000^{\circ}\text{F}$)
 - : Standard orifice diameter 4.0 mm

Model and Suffix codes 2162C



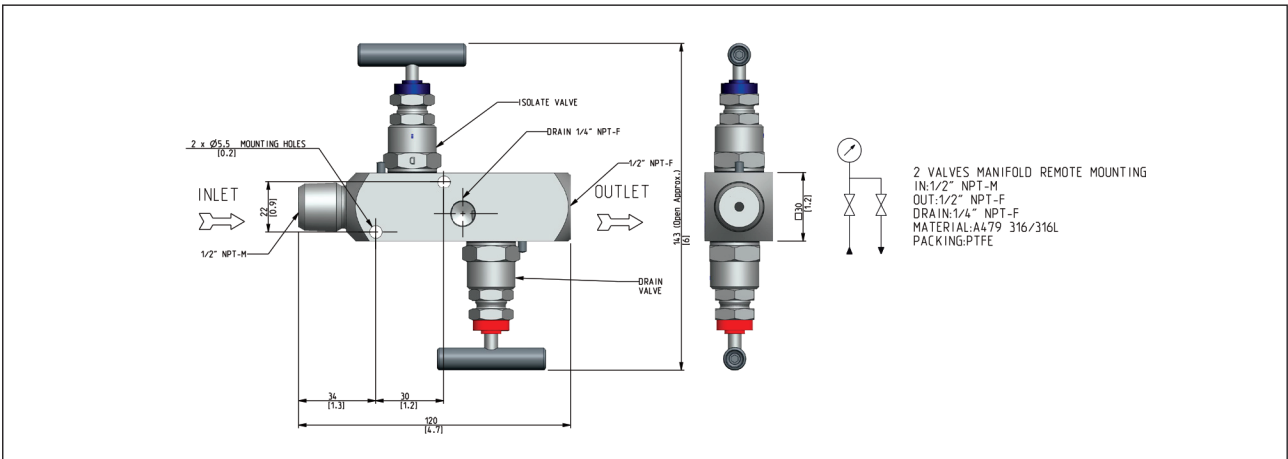
Model Code	Suffix Code	Option Code	Description
EJX310A/430A/440A			Transmitter type
Manifold model + rating	2162C		Two valve manifold, direct mounting, rating 6000 psi
Inlet dimension	-D		1/2" female
Inlet connection type	A		NPT
Outlet dimension	H		Flange
Outlet connection type	H		IEC 61518/B
Material	-B		Aisi 316L
Bonnet packing material	A		PTFE
	B		Graphoil
Options		/MOUNT /PMI /LOX2 /SBOLTS /BRKS /AT /ATD /LOCK /LOCKD	Mounting of transmitter on 2-valve manifold + Pressure testing (ACCORDING TO OUR STANDARD PROCEDURE) PMI (positive material identification) EACH TEST + certificate Degrease treatment for oxygen applications 2 x Stainless steel mounting Bolts (instead of carbon steel) Mounting bracket stainless steel All valves in the manifold with antitamper Only drain with antitamper All valves in the manifold with locking (padlock) Only drain with locking

Model and Suffix codes 2017C



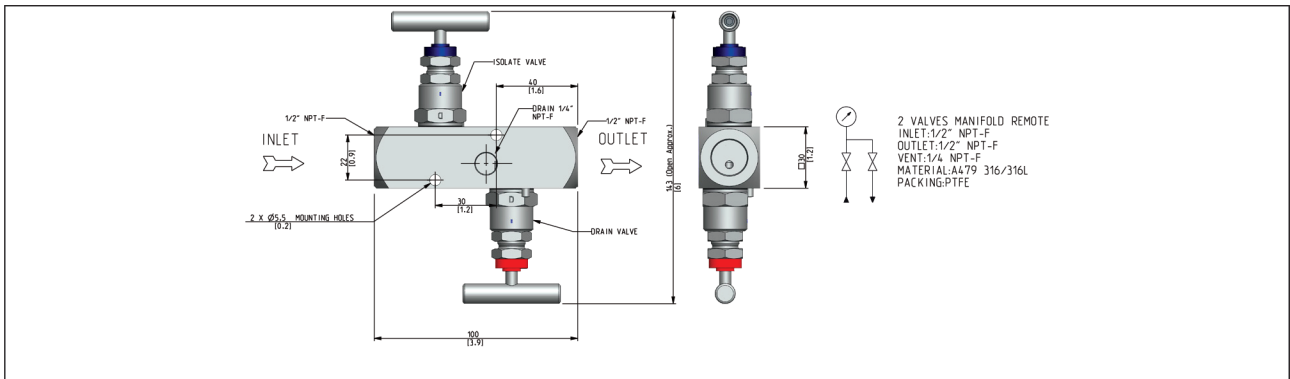
Model Code	Suffix Code	Option Code	Description
EJX510A/530A/630A			Transmitter type
Manifold model + rating	2017C		Two valve manifold, block & bleed, rating 6000 psi
Inlet dimension	-D		1/2" female
Inlet connection type	A		NPT
Outlet dimension	D		1/2" male
Outlet connection type	A		NPT
Material	B		Aisi 316L
Bonnet packing material	A B		PTFE Graphoil
Options		/MOUNTTAPE /MOUNTLOC /PMI /LOX2 /BRKS /AT /ATD /LOCK /LOCKD	Assembly manifold to transmitter with TEFLON tape + Pressure testing (ACCORDING TO OUR STANDARD PROCEDURE) Assembly manifold to transmitter with LOCTITE PMI (positive mat. identification) EACH TEST + certificate + Pressure testing (ACCORDING TO OUR STANDARD PROCEDURE) Degrease treatment for oxygen applications Mounting bracket stainless steel All valves in the manifold with antitamper Only drain with antitamper All valves in the manifold with locking (padlock) Only drain with locking

Model and Suffix codes 2015C



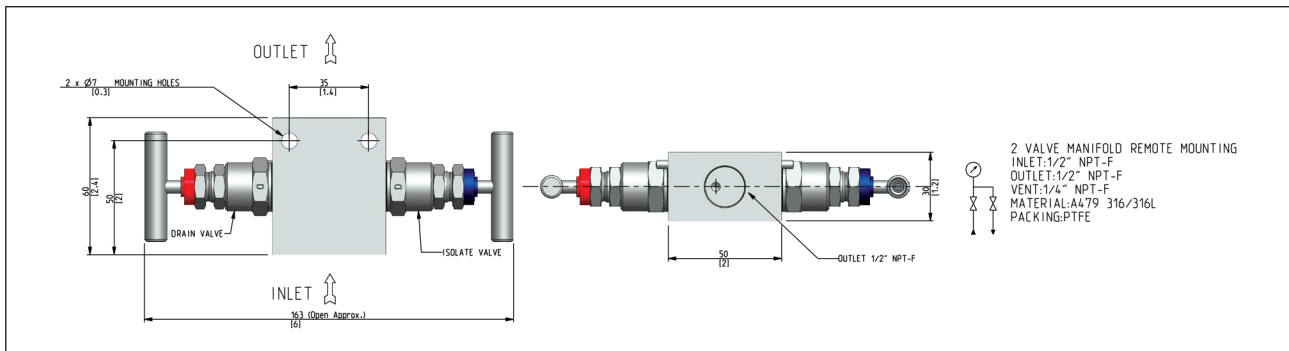
Model Code	Suffix Code	Option Code	Description
EJX510A/530A/630A			Transmitter type
Manifold model + rating	2015C		Two valve manifold, block & bleed, rating 6000 psi
Inlet dimension	-D		1/2" male
Inlet connection type	A		NPT
Outlet dimension	D		1/2" female
Outlet connection type	A		NPT
Material	B		Aisi 316L
Bonnet packing material	A B		PTFE Graphoil
Options		/MOUNTTAPE /MOUNTLOC /PMI /LOX2 /BRKS /AT /ATD /LOCK /LOCKD	Assembly manifold to transmitter with TEFLON tape + Pressure testing (ACCORDING TO OUR STANDARD PROCEDURE) Assembly manifold to transmitter with LOCTITE PMI (positive mat. identification) EACH TEST + certificate + Pressure testing (ACCORDING TO OUR STANDARD PROCEDURE) Degrease treatment for oxygen applications Mounting bracket stainless steel All valves in the manifold with antitamper Only drain with antitamper All valves in the manifold with locking (padlock) Only drain with locking

Model and Suffix codes 2018C



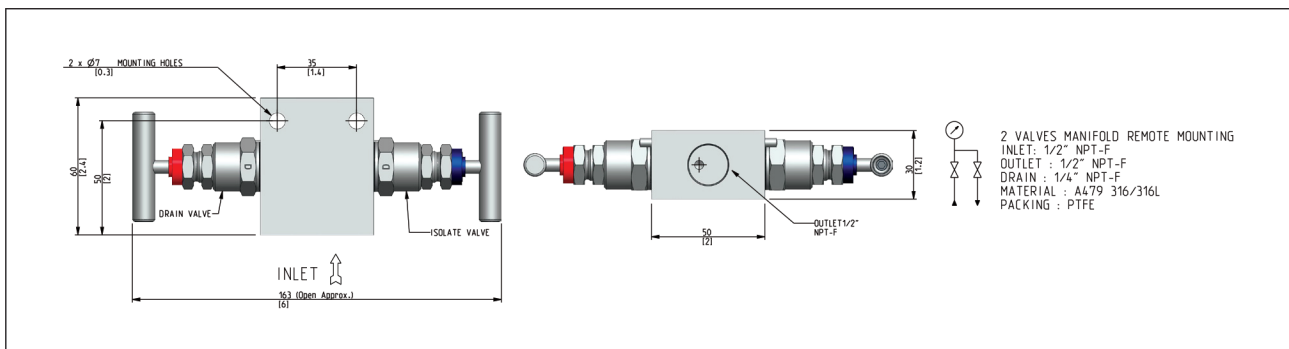
Model Code	Suffix Code	Option Code	Description
EJX510A/530A/630A			Transmitter type
Manifold model + rating	2018C		Two valve manifold, block & bleed, rating 6000 psi
Inlet dimension	-D		1/2" female
Inlet connection type	A		NPT
Outlet dimension	D		1/2" female
Outlet connection type	A		NPT
Material	B		Aisi 316L
Bonnet packing material	A B		PTFE Graphoil
Options		/MOUNTTAPE /MOUNTLOC /PMI /LOX2 /BRKS /AT /ATD /LOCK /LOCKD	Assembly manifold to transmitter with TEFLON tape + Pressure testing (ACCORDING TO OUR STANDARD PROCEDURE) Assembly manifold to transmitter with LOCTITE PMI (positive mat. identification) EACH TEST + certificate + Pressure testing (ACCORDING TO OUR STANDARD PROCEDURE) Degrease treatment for oxygen applications Mounting bracket stainless steel All valves in the manifold with antitamper Only drain with antitamper All valves in the manifold with locking (padlock) Only drain with locking

Model and Suffix codes 2050C



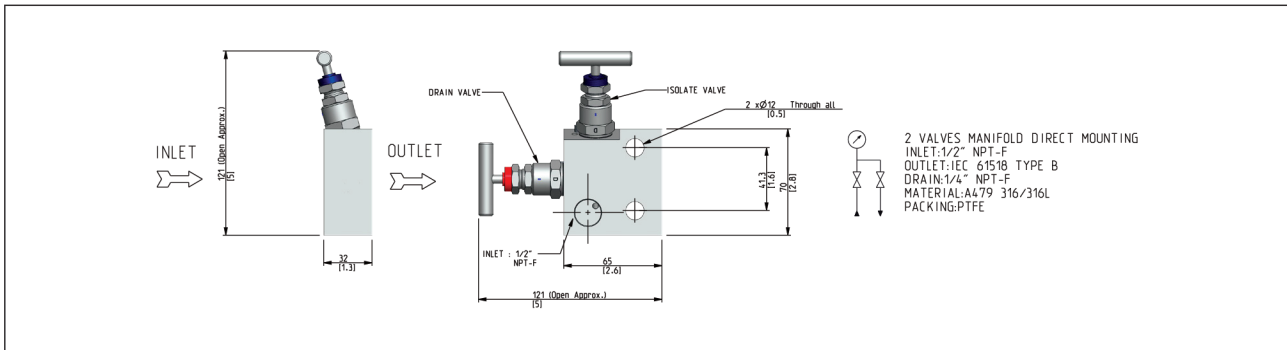
Model Code	Suffix Code	Option Code	Description
EJX510A/530A/630A			Transmitter type
Manifold model + rating	2050C		Two valve manifold, block & bleed, rating 6000 psi
Inlet dimension	-D		1/2" female
Inlet connection type	A		NPT
Outlet dimension	D		1/2" female
Outlet connection type	A		NPT
Material	B		Aisi 316L
Bonnet packing material	A B		PTFE Graphoil
Options		/MOUNTTAPE /MOUNTLOC /PMI /LOX2 /BRKS /AT /ATD /LOCK /LOCKD	Assembly manifold to transmitter with TEFLON tape + Pressure testing (ACCORDING TO OUR STANDARD PROCEDURE) Assembly manifold to transmitter with LOCTITE PMI (positive mat. identification) EACH TEST + certificate + Pressure testing (ACCORDING TO OUR STANDARD PROCEDURE) Degrease treatment for oxygen applications Mounting bracket stainless steel All valves in the manifold with antitamper Only drain with antitamper All valves in the manifold with locking (padlock) Only drain with locking

Model and Suffix codes 2050D



Model Code	Suffix Code	Option Code	Description
EJX510A/530A/630A			Transmitter type
Manifold model + rating	2050D		Two valve manifold, block & bleed, rating 10000 psi
Inlet dimension	-D		1/2" female
Inlet connection type	A		NPT
Outlet dimension	D		1/2" female
Outlet connection type	A		NPT
Material	B		Aisi 316L
Bonnet packing material	A B		PTFE Graphoil
Options		/MOUNTTAPE /MOUNTLOC /PMI /LOX2 /BRKS /AT /ATD /LOCK /LOCKD	Assembly manifold to transmitter with TEFLON tape + Pressure testing (ACCORDING TO OUR STANDARD PROCEDURE) Assembly manifold to transmitter with LOCTITE PMI (positive mat. identification) EACH TEST + certificate + Pressure testing (ACCORDING TO OUR STANDARD PROCEDURE) Degrease treatment for oxygen applications Mounting bracket stainless steel All valves in the manifold with antitamper Only drain with antitamper All valves in the manifold with locking (padlock) Only drain with locking

Model and Suffix codes 2150C



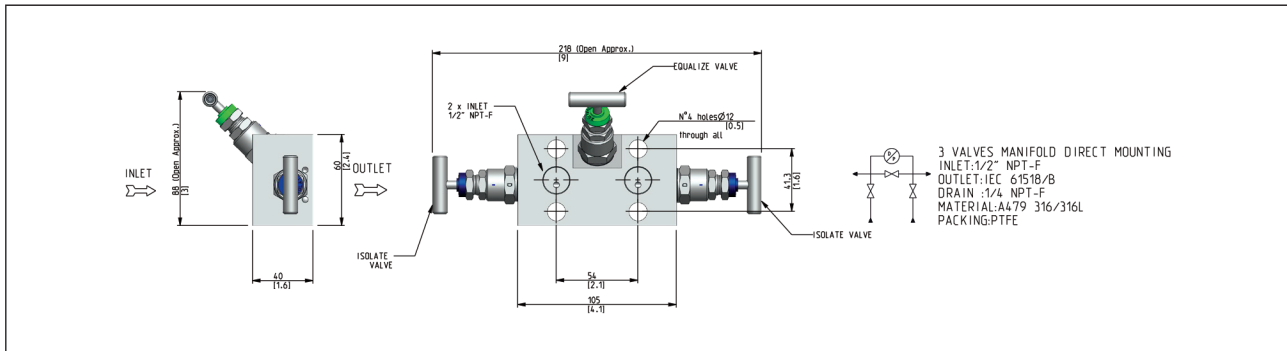
Model Code	Suffix Code	Option Code	Description
EJX310A/430A/440A			Transmitter type
Manifold model + rating	2150C		Two valve manifold, direct mounting, rating 6000 psi
Inlet dimension	-D		1/2" female
Inlet connection type	A		NPT
Outlet dimension	H		Flange
Outlet connection type	H		IEC 61518/B
Material	B		Aisi 316L
Bonnet packing material	A B		PTFE Graphoil
Options		/MOUNT /PMI /LOX2 /SBOLTS /BRKS /AT /ATD /LOCK /LOCKD	Mounting of transmitter on 2-valve manifold + Pressure testing (ACCORDING TO OUR STANDARD PROCEDURE) PMI (positive material identification) EACH TEST + certificate + Pressure testing (ACCORDING TO OUR STANDARD PROCEDURE) Degrease treatment for oxygen applications 2 x Stainless steel mounting Bolts (instead of carbon steel) Mounting bracket stainless steel All valves in the manifold with antitamper Only drain with antitamper All valves in the manifold with locking (padlock) Only drain with locking

2. Three Valve Manifolds 3000 Series

The three valve manifolds, concentrate the functions of interception and balancing in a single block, are used with differential pressure transmitters. They are designed to allow direct mounting. Mounting brackets are available on demand.

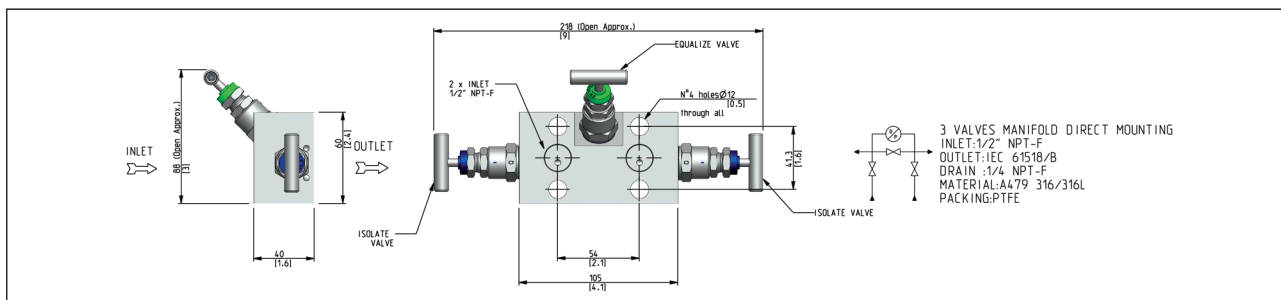
- **2.1 Features**
 - : Tee bar easy manoeuvrability with minimum effort
 - : PTFE packing standard, optional graphoil
 - : 316L Stainless steel construction as standard, optional: see material list
 - : Colour coded functional identification
 - : Externally adjustable gland
 - : Variety of end connections
 - : Dust cap to prevent contaminations on the operating thread
- **2.2 Specifications**
 - : Pressure up to 6000 Psi (414 Bar)
 - : Temperature rating PTFE packing from -55°C to $+204^{\circ}\text{C}$ (-65°F / $+400^{\circ}\text{F}$)
 - : Temperature rating GRAPHOIL packing from -55°C to $+538^{\circ}\text{C}$ (-65°F / $+1000^{\circ}\text{F}$)
 - : Standard orifice diameter 4.0 mm

Model and Suffix codes 3154C



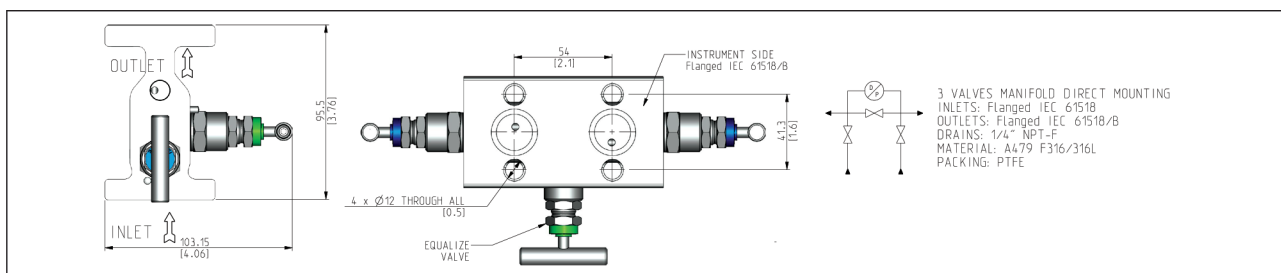
Model Code	Suffix Code	Option Code	Description
EJX110A, EJA110E			Transmitter type
Manifold model + rating	3154C		Three valve manifold, direct mounting, rating 6000 psi
Inlet dimension	-D		1/2" female
Inlet connection type	A		NPT
Outlet dimension	H		Flange
Outlet connection type	H		IEC 61518/B
Material	B		Aisi 316L
Bonnet packing material	A B		PTFE Graphoil
Options		/MOUNT /PMI /LOX3 /BRKS7 /BRKS9 /SBOLTS /BOX /AT /LOCK	Mounting of transmitter on 2-valve manifold + Pressure testing (ACCORDING TO OUR STANDARD PROCEDURE) PMI (positive material identification) EACH TEST + certificate Degrease treatment for oxygen applications Stainless steel mounting bracket with U bolts (Yokogawa Installation code 7) Stainless steel mounting bracket with U bolts (Yokogawa Installation code 9) 4 x Stainless steel mounting Bolts (instead of carbon steel) New carton box & TAG marking of manifold to transmitter All valves in the manifold with antitamper All valves in the manifold with locking (padlock)

Model and Suffix codes 3150C



Model Code	Suffix Code	Option Code	Description
EJX110A, EJA110E			Transmitter type
Manifold model + rating	3150C		Three valve manifold, direct mounting, rating 6000 psi
Inlet dimension	-D		1/2" female
Inlet connection type	A		NPT
Outlet dimension	H		Flange
Outlet connection type	H		IEC 61518/B
Material	B		Aisi 316L
Bonnet packing material	A B		PTFE Graphoil
Options		/MOUNT /PMI /LOX3 /BRKS7 /BRKS9 /SBOLTS /BOX /AT /LOCK	Mounting of transmitter on 2-valve manifold + Pressure testing (ACCORDING TO OUR STANDARD PROCEDURE) PMI (positive material identification) EACH TEST + certificate Degrease treatment for oxygen applications Stainless steel mounting bracket with U bolts (Yokogawa Installation code 7) Stainless steel mounting bracket with U bolts (Yokogawa Installation code 9) 4 x Stainless steel mounting Bolts (instead of carbon steel) New carton box & TAG marking of manifold to transmitter All valves in the manifold with antitamper All valves in the manifold with locking (padlock)

Model and Suffix codes 3160C



Model Code	Suffix Code	Option Code	Description
EJX110A, EJA110E			Transmitter type
Manifold model + rating	3160C		Three valve manifold, direct mounting, rating 6000 psi
Inlet dimension	-H		Flange
Inlet connection type	H		IEC 61518/B
Outlet dimension	H		Flange
Outlet connection type	H		IEC 61518/B
Material	B		Aisi 316L
Bonnet packing material	A B		PTFE Graphoil
Options		/MOUNT /PMI /LOX3 /SBOLTS /BOX /AT /LOCK	Mounting of transmitter on 2-valve manifold + Pressure testing (ACCORDING TO OUR STANDARD PROCEDURE) PMI (positive material identification) EACH TEST + certificate Degrease treatment for oxygen applications 4 x Stainless steel mounting Bolts (instead of carbon steel) New carton box & TAG marking of manifold to transmitter All valves in the manifold with antitamper All valves in the manifold with locking (padlock)

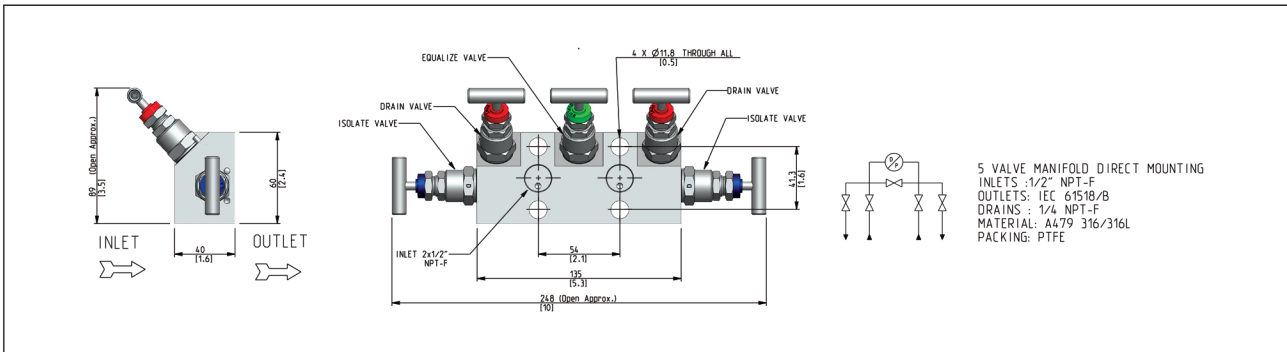
3. Five Valve Manifolds 5000 Series

The five valve manifolds concentrate in a single block the functions of interception, balancing and drain, are designed to allow direct mounting. Mounting brackets are available on demand.

- **3.1 Features**
 - : Tee bar easy manoeuvrability with minimum effort
 - : PTFE packing standard, optional graphoil
 - : 316L Stainless steel construction as standard, optional: see material list
 - : Colour coded functional identification
 - : Externally adjustable gland
 - : Variety of end connections
 - : Dust cap to prevent contaminations on the operating thread

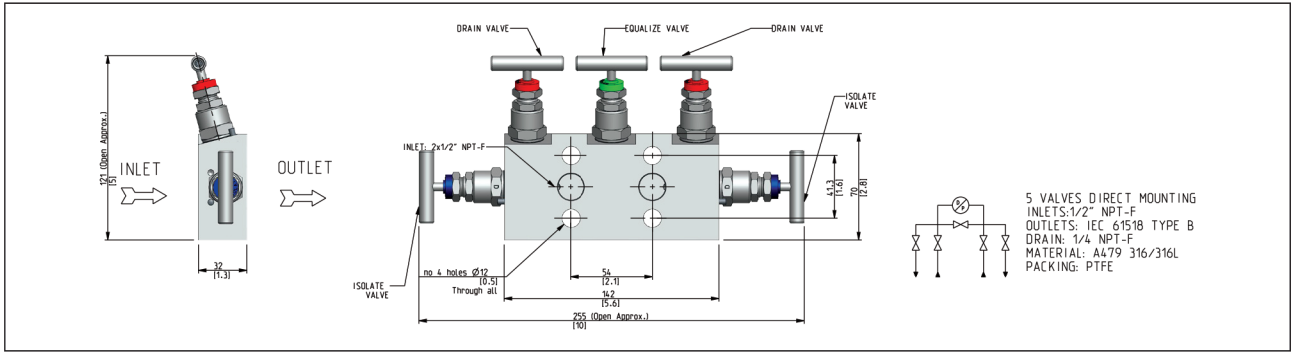
- **3.2 Specifications**
 - : Pressure up to 6000 Psi (414 Bar)
 - : Temperature rating PTFE packing from -55°C to +204°C (-65°F / + 400°F)
 - : Temperature rating GRAPHOIL packing from -55°C to + 538° C (-65°F / + 1000°F)
 - : Standard orifice diameter 4.0 mm

Model and Suffix codes 5064C



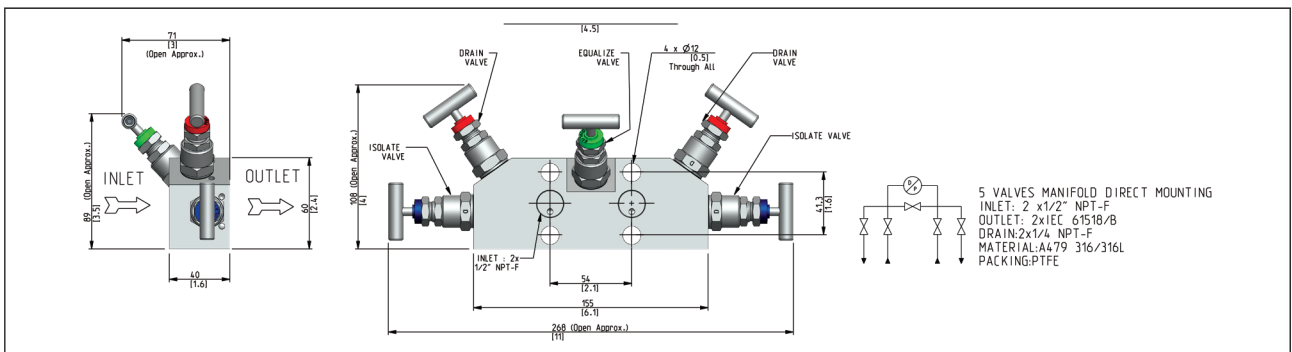
Model Code	Suffix Code	Option Code	Description
EJX110A, EJA110E			Transmitter type
Manifold model + rating	5064C		Five valve manifold, direct mounting, rating 6000 psi
Inlet dimension	-D		1/2"
Inlet connection type	A		NPT
Outlet dimension	H		Flange
Outlet connection type	H		IEC 61518/B
Material	B		Aisi 316L
Bonnet packing material	A B		PTFE Graphoil
Options		/MOUNT /PMI /LOX5 /SBOLTS /BRKS7 /BRKS9 /BOX /AT /ATD /LOCK /LOCKD	Mounting of transmitter on 3/5-valve manifold + Pressure testing (ACCORDING TO OUR STANDARD PROCEDURE) PMI (positive material identification) EACH TEST + certificate Degrease treatment for oxygen applications 4 x Stainless steel mounting Bolts (instead of carbon steel) Stainless steel mounting bracket with U bolts (Yokogawa Installation code 7) Stainless steel mounting bracket with U bolts (Yokogawa Installation code 9) New carton box & TAG marking of manifold to transmitter All valves in the manifold with antitamper Only drain with antitamper All valves in the manifold with locking (padlock) Only drain with locking

Model and Suffix codes 5050C



Model Code	Suffix Code	Option Code	Description
EJX110A, EJA110E			Transmitter type
Manifold model + rating	5050C		Five valve manifold, direct mounting, rating 6000 psi
Inlet dimension	-D		1/2"
Inlet connection type	A		NPT
Outlet dimension	H		Flange
Outlet connection type	H		IEC 61518/B
Material	B		Aisi 316L
Bonnet packing material	A B		PTFE Graphoil
Options		/MOUNT /PMI /LOX5 /SBOLTS /BRKS7 /BRKS9 /BOX /AT /ATD /LOCK /LOCKD	Mounting of transmitter on 3/5-valve manifold + Pressure testing (ACCORDING TO OUR STANDARD PROCEDURE) PMI (positive material identification) EACH TEST + certificate Degrease treatment for oxygen applications 4 x Stainless steel mounting Bolts (instead of carbon steel) Stainless steel mounting bracket with U bolts (Yokogawa Installation code 7) Stainless steel mounting bracket with U bolts (Yokogawa Installation code 9) New carton box & TAG marking of manifold to transmitter All valves in the manifold with antitamper Only drain with antitamper All valves in the manifold with locking (padlock) Only drain with locking

Model and Suffix codes 5066C



Model Code	Suffix Code	Option Code	Description
EJX110A, EJA110E			Transmitter type
Manifold model + rating	5066C		Five valve manifold, direct mounting, rating 6000 psi
Inlet dimension	-D		1/2"
Inlet connection type	A		NPT
Outlet dimension	H		Flange
Outlet connection type	H		IEC 61518/B
Material	B		Aisi 316L
Bonnet packing material	A B		PTFE Graphoil
Options		/MOUNT /PMI /LOX5 /SBOLTS /BRKS7 /BRKS9 /BOX /AT /ATD /LOCK /LOCKD	Mounting of transmitter on 3/5-valve manifold + Pressure testing (ACCORDING TO OUR STANDARD PROCEDURE) PMI (positive material identification) EACH TEST + certificate Degrease treatment for oxygen applications 4 x Stainless steel mounting Bolts (instead of carbon steel) Stainless steel mounting bracket with U bolts (Yokogawa Installation code 7) Stainless steel mounting bracket with U bolts (Yokogawa Installation code 9) New carton box & TAG marking of manifold to transmitter All valves in the manifold with antitamper Only drain with antitamper All valves in the manifold with locking (padlock) Only drain with locking

■ 4. PMI certificates

Model	
R/PMICERT	PMI (positive material identification) for extra PMI certificate
R/100PMI	PMI (positive material identification) for batch 1-100 units (2 units tested) + certificate
R/200PMI	PMI (positive material identification) for batch 101-200 units (4 units tested) + certificate

YOKOGAWA ELECTRIC CORPORATION
World Headquarters
9-32, Nakacho 2-chome, Musashino-shi
Tokyo 180-8750
Japan
www.yokogawa.com

YOKOGAWA CORPORATION OF AMERICA
2 Dart Road
Newnan GA 30265
USA
www.yokogawa.com/us

YOKOGAWA PROCESS ANALYZERS EUROPE BV
Euroweg 2
3825 HD AMERSFOORT
The Netherlands
www.yokogawa.com/eu

YOKOGAWA ELECTRIC ASIA Pte. LTD.
5 Bedok South Road
Singapore 469270
Singapore
www.yokogawa.com/sg

YOKOGAWA CHINA CO. LTD.
Room 1801, Tower B, THE PLACE
No.100 Zunyi Road
Changing District, Shanghai, China
www.yokogawa.com/cn

YOKOGAWA MIDDLE EAST B.S.C.(c)
P.O. Box 10070, Manama
Building 577, Road 2516, Busaiten 225
Muharraq, Bahrain
www.yokogawa.com/bh

Yokogawa has an extensive sales and distribution network. Please refer to the European website (www.yokogawa.com/eu) to contact your nearest representative.



YOKOGAWA ◆