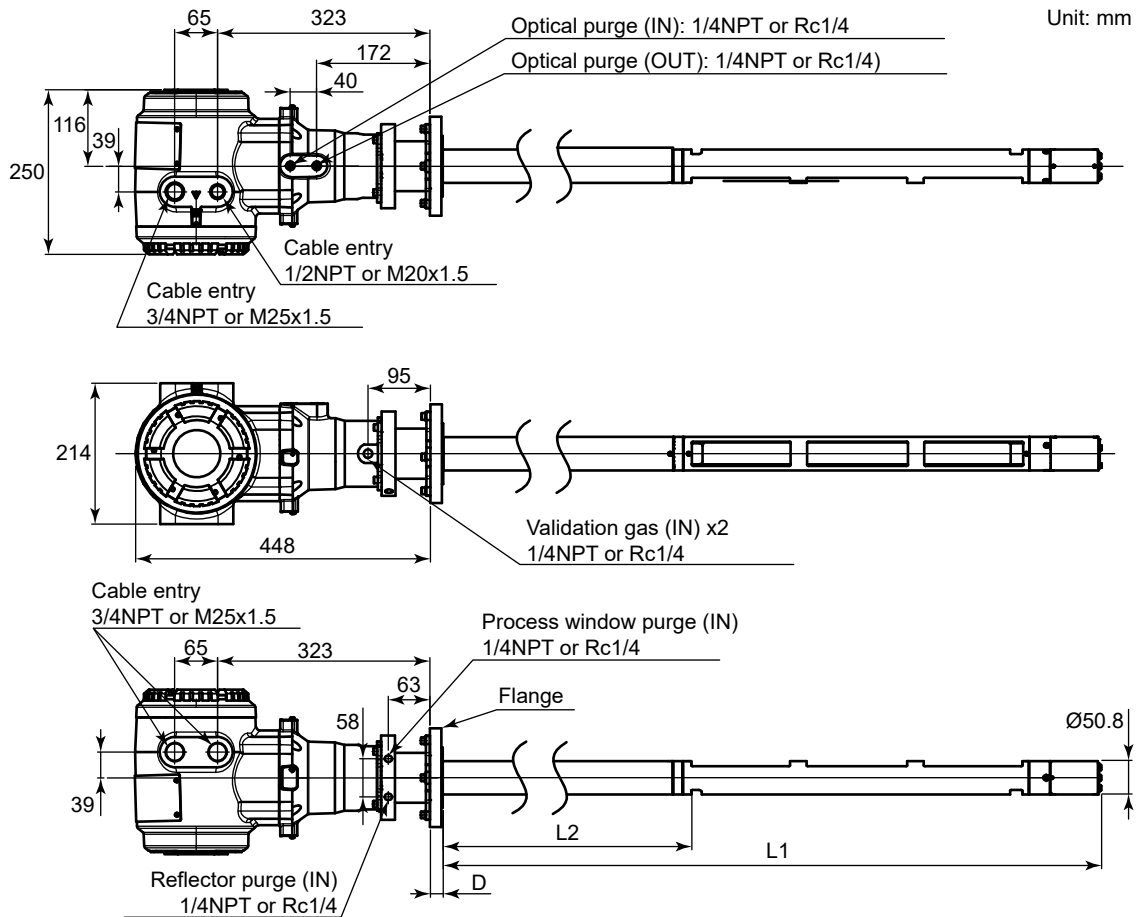


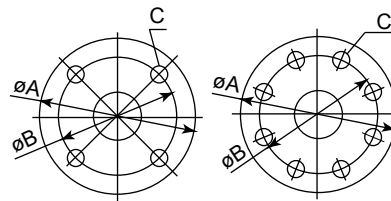
# Drawings

## TDLS8200 Probe type Tunable Diode Laser Spectrometer



Flange	A	B	C	D
ANSI Class150-2-RF	150	120.7	4-Ø19	20
ANSI Class150-3-RF	190	152.4	4-Ø19	24
ANSI Class150-4-RF	230	190.5	8-Ø19	24
DIN PN16-DN50-D	165	125	4-Ø18	20
DIN PN16-DN80-D	200	160	8-Ø18	20
JIS 10K-50-FF	155	120	4-Ø19	16
JIS 10K-80-FF	185	150	8-Ø19	18

L1	700	1000	1500	2000
L2	78	378	878	1378



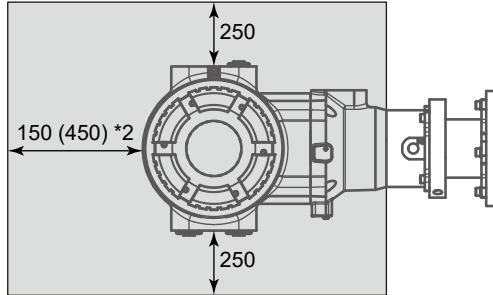
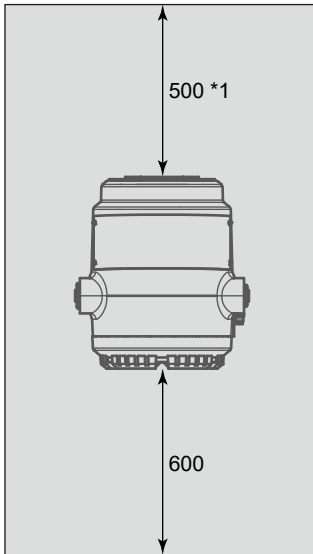
Flange

Weight (approx.): Probe part ; 0.7 m 2.7 kg, 1 m 4.3 kg, 1.5 m 7.0 kg, 2 m 9.8 kg  
Analyzer part; 14.8 kg (Not include flange)

Unless otherwise specified, differences in the dimensions are specified as: General tolerance =  $\pm$ (Criteria of tolerance class IT18 in JIS B0401-1998)/2.

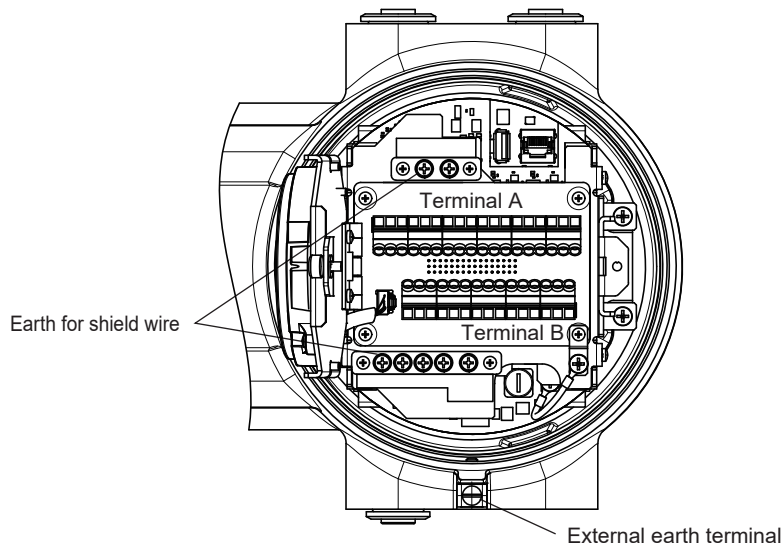
● Maintenance space

Unit: mm



\*1: When installing YH8000 on TDLS8200 with /M, it is necessary to secure this space.  
 \*2: When connecting the calibration cell, it is necessary to secure this space. If install or uninstal of probe, need the additional space depend on probe length.

■ Wiring Diagram



Magnified Terminal A

AO-1	AO-2	AO-3	AO-4	AO-5	AI-1	AI-2	DI-1	DI-2
+	-	+	-	+	-	+	-	+
Isolated 4-20mA Output		Isolated 4-20mA Output			4-20mA Input for Pressure transmitter		Digital Input	
					4-20mA Input for Temperature transmitter			

Magnified Terminal B

DO	FAULT	SV-1	SV-2	PWR	VO (HMI)
NC	COM	NO	NC	COM	+
+	-	+	-	+	-
Digital Output for programmable DO		Solenoid Valve Control for Auto Cal		24V DC Output for YH8000 Power	
Digital Output for FAULT				Power Supply 24V DC	

Unless otherwise specified, differences in the dimensions are specified as: General tolerance = ±(Criteria of tolerance class IT18 in JIS B0401-1998)/2.