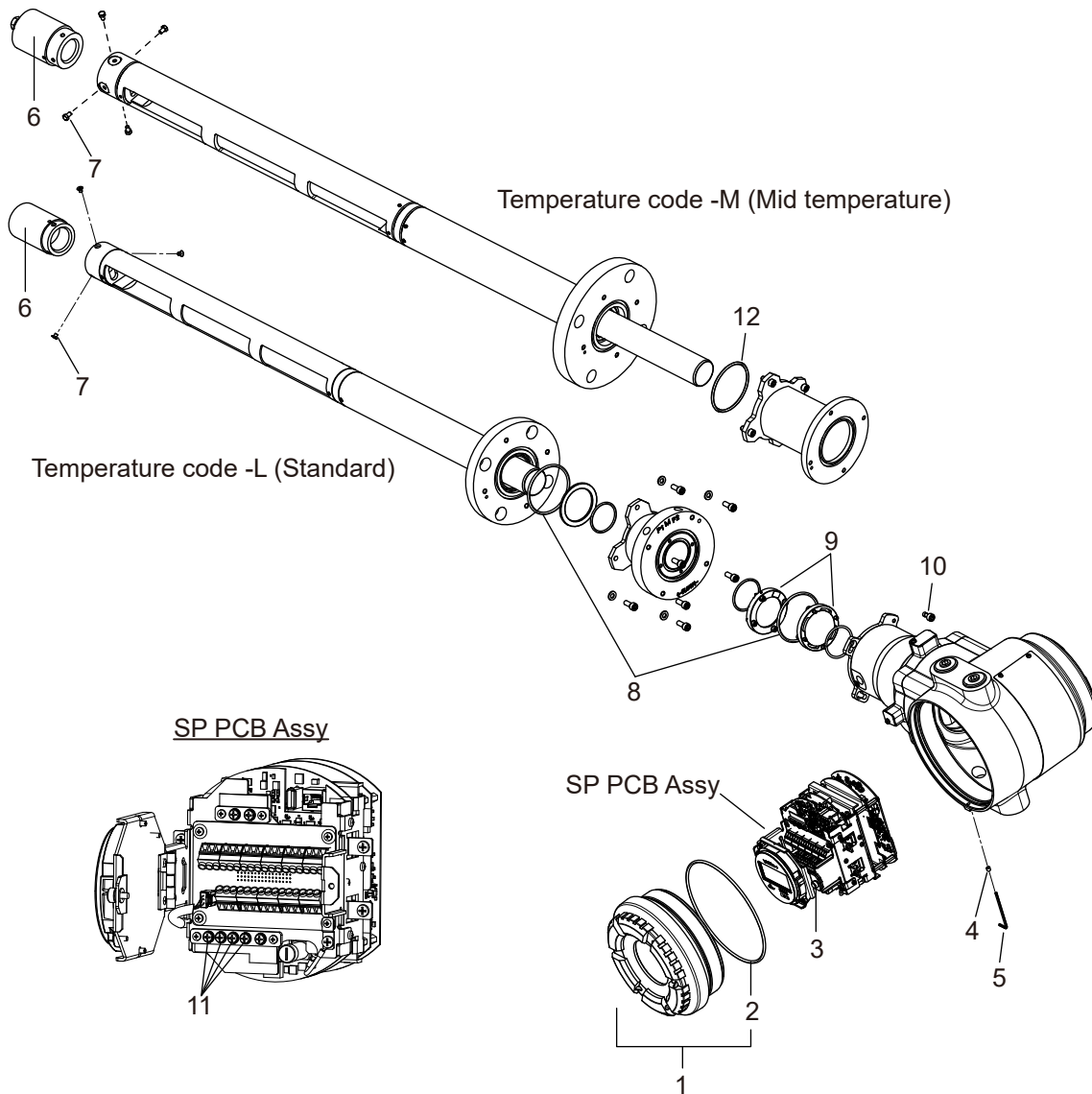


# Customer Maintenance Parts List

TDLS8200  
Probe type  
Tunable Diode Laser Spectrometer



Item	Part No.	Qty	Description	Item	Part No.	Qty	Description
1	K9776HC	1	Cover Assy (with O-ring)	7	K9777XA	1	Screw 3pcs Set (for -L)
2	K9771KG	1	O-ring		K8010YA	1	Screw 4pcs Set (for -M)
3	A1624EF	1	Fuse	8	K9772TJ	2	O-ring
4	B1093BS	1	Set Screw	9	K8010CA	2	Process Window Assy for CO/O <sub>2</sub>
5	L9827AC	1	Hex. L-key	10	K9771KZ	1	Captive Bolt
6	K9776AZ	1	Retro Reflector Assy (for -L)	11	K8010HJ	1	Screws for grounding terminal
	K8010SA	1	Retro Reflector Assy (for -M)	12	K8010HU	1	O-ring (for -M)