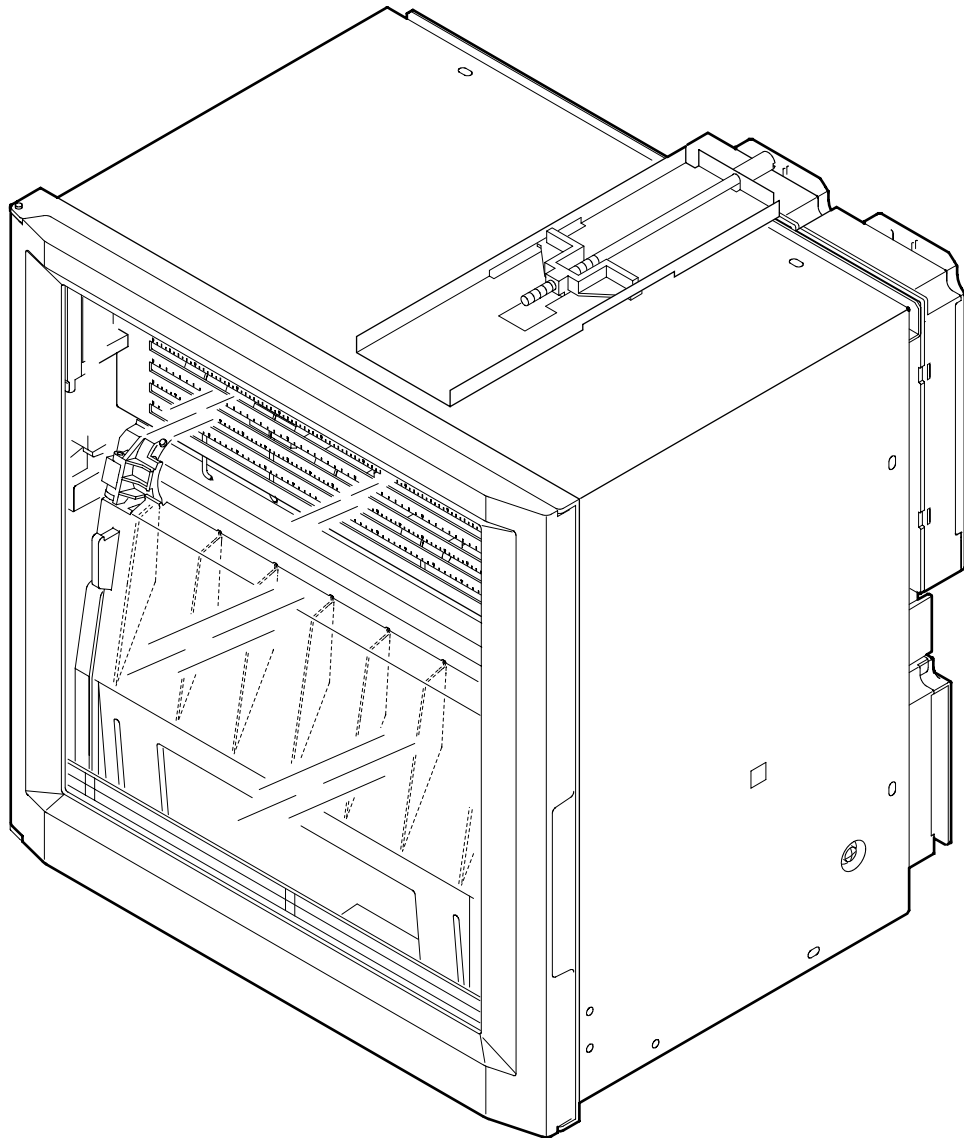


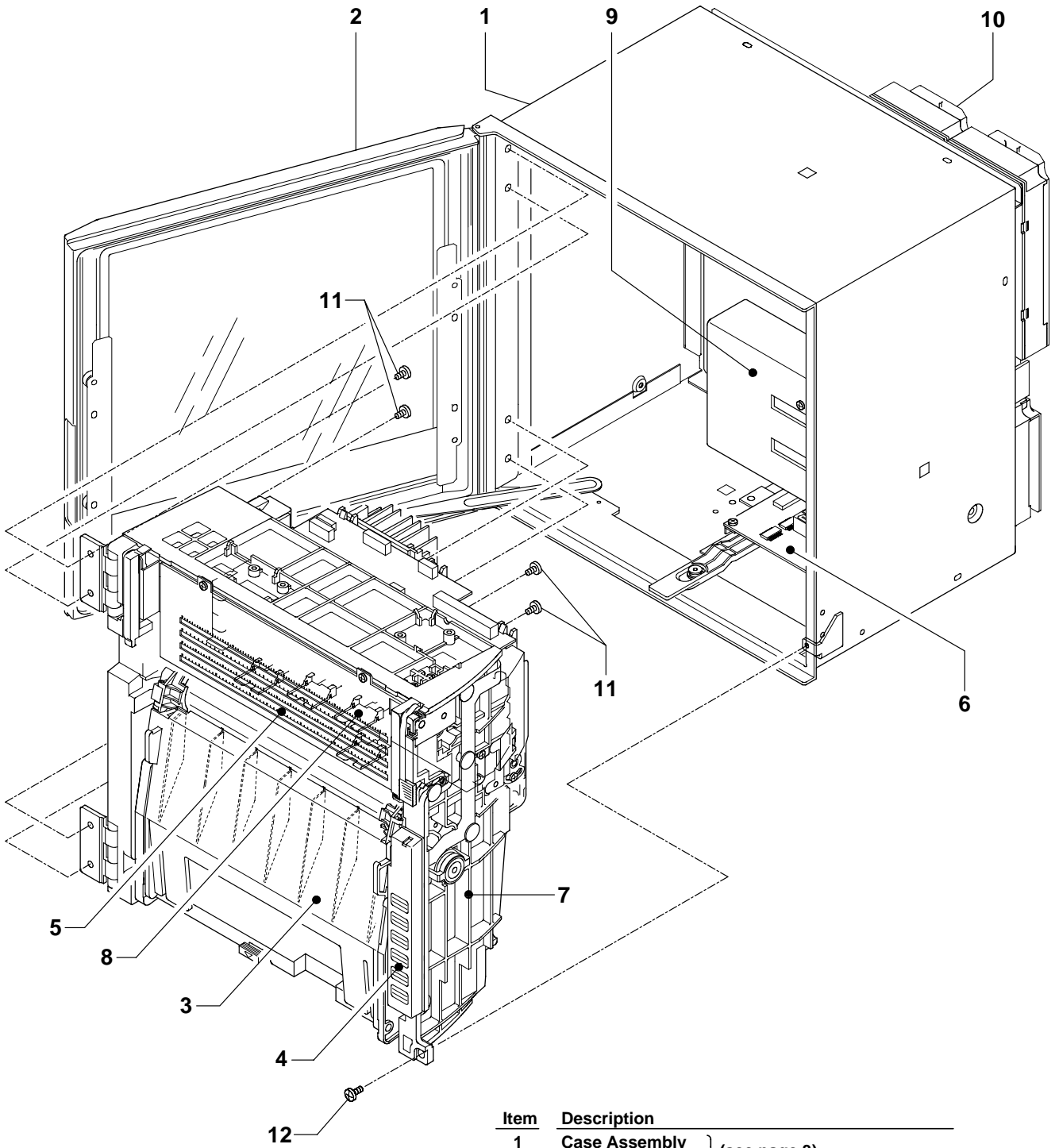
**Customer
Maintenance
Parts List**

**Model 4375 01, 02, 03, 04
μRS1800 Recorder
Pen Model**

μRS1800

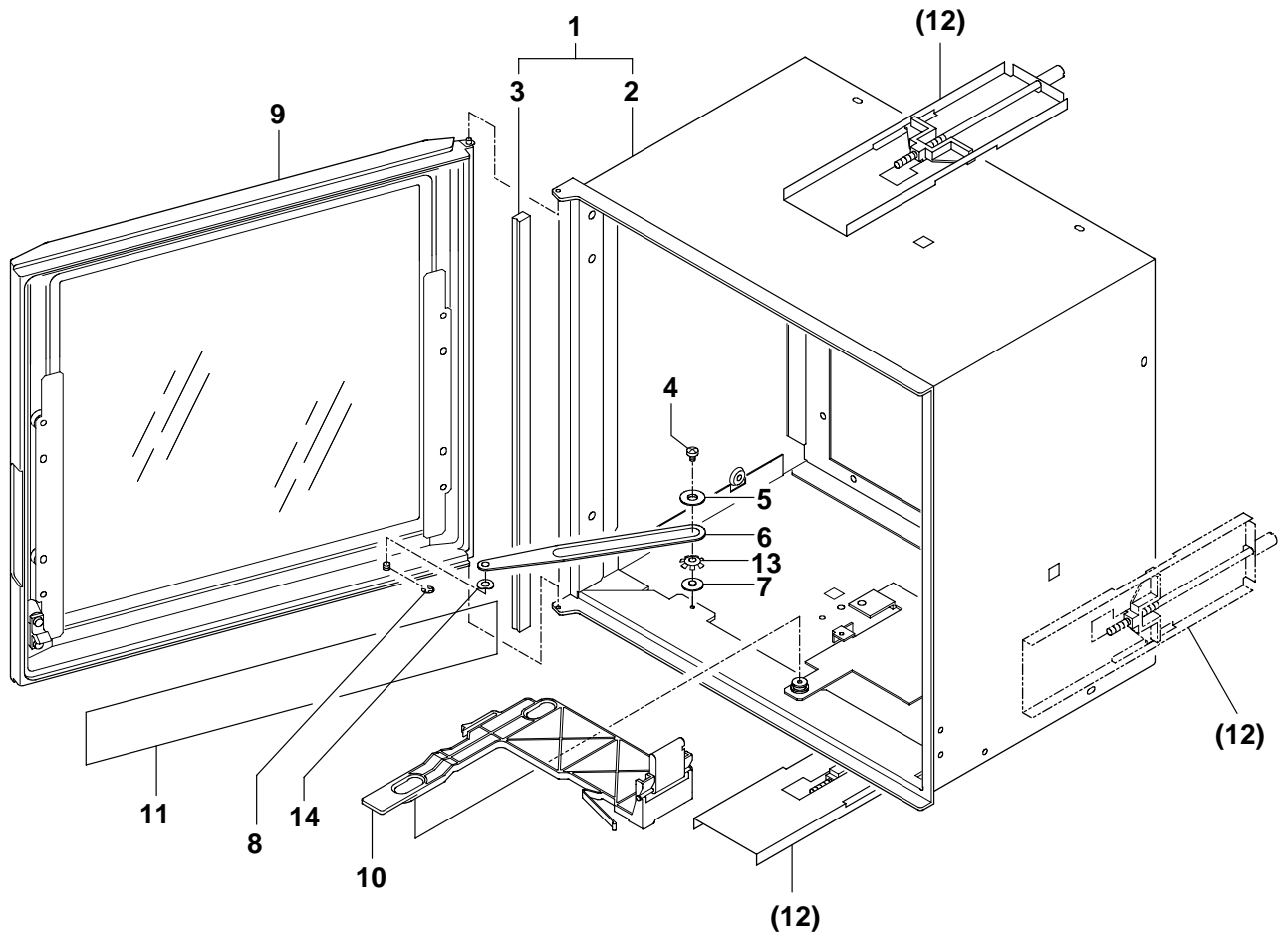


Complete Set



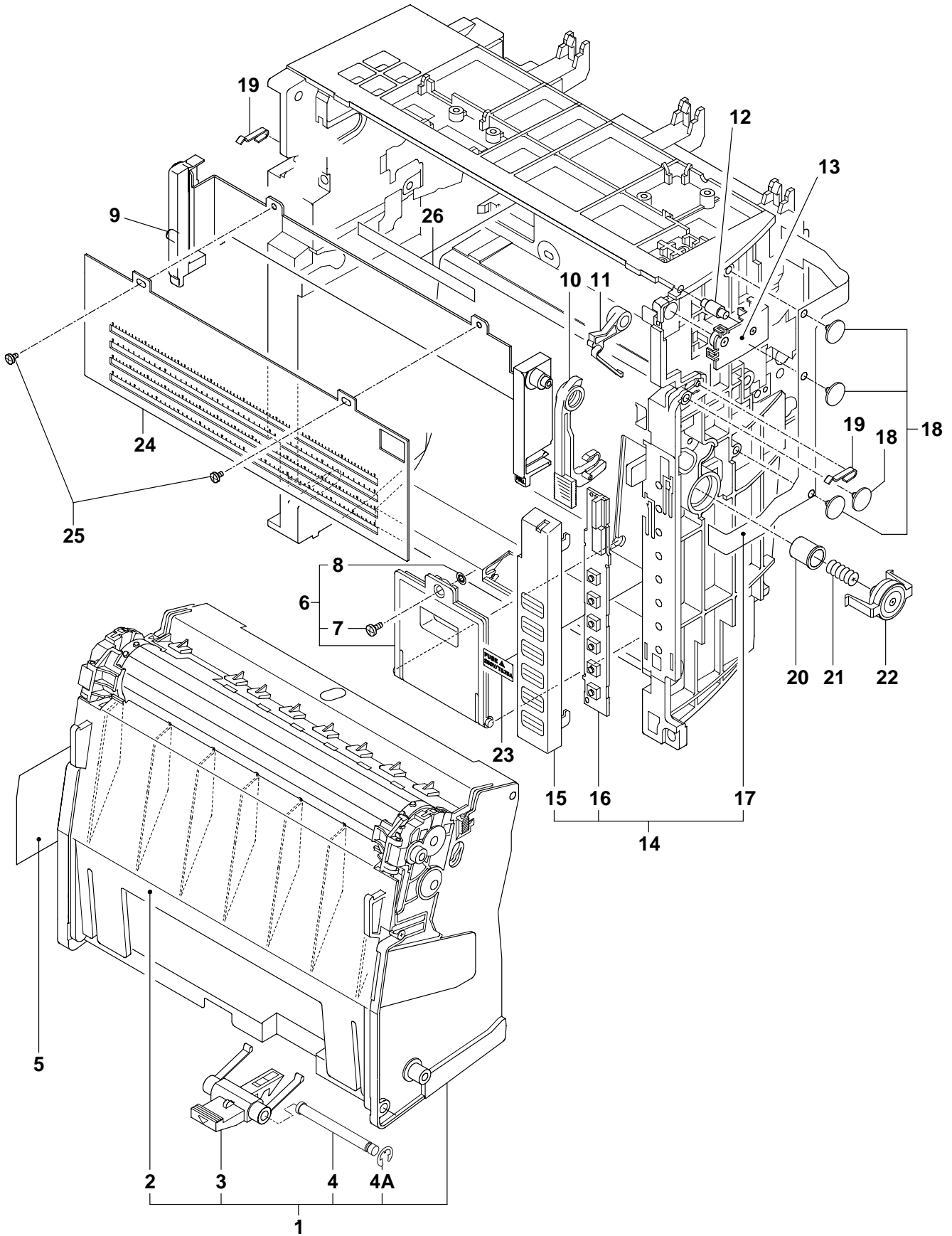
Item	Description
1	Case Assembly
2	Door Assembly
3	Chart Cassette Assembly
4	Key Board Assembly
5	Scale and Scale Bracket Assembly
6	CPU Board Assembly
7	Frame Assembly
8	Pen Servo Assembly
9	Panel Assembly
10	Terminal Assembly
11	B.H.Screw, M4x5 4ea (Y9405LB)
12	B.H.Screw, M4x10 1ea (Y9410LE)

Case and Door Assembly



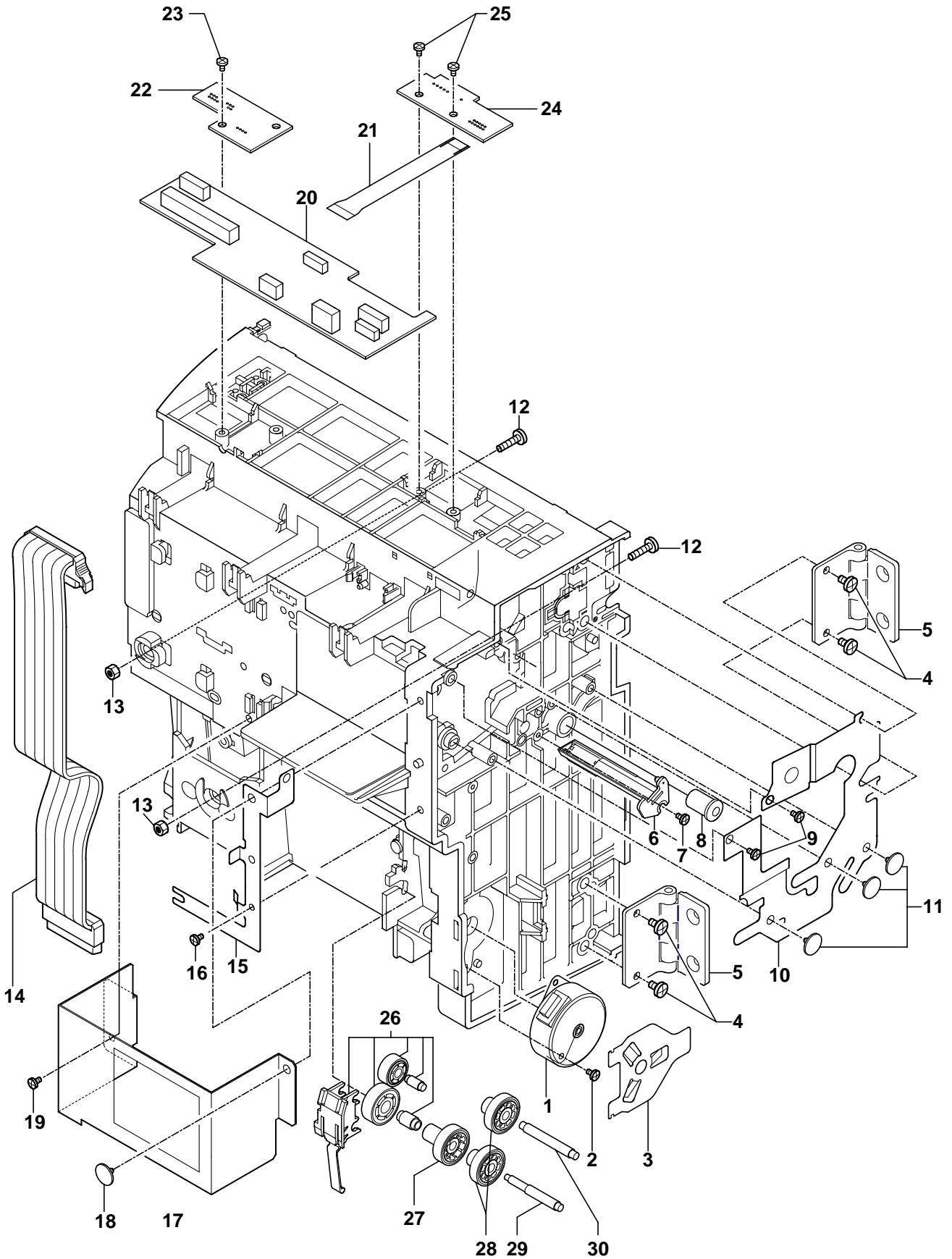
Item	Part No.	Qty				Description
		Model	437501	437502	437503	
1	B9905BA	1	1	1	1	Case Assembly
2	B9905BC	1	1	1	1	Case Assembly
3	B9905CK	1	1	1	1	Gasket
4	Y9205KB	1	1	1	1	B.H. Screw, M2.3x5
5	B9905CL	1	1	1	1	Boss
6	B9905DL	1	1	1	1	Bracket
7	B9905CP	1	1	1	1	Boss
8	Y9300ET	1	1	1	1	'E'Ring
9	B9931BA	1	1	1	1	Door Assembly
	B9931BG	1	1	1	1	Door Assembly (/H3) } (select)
10	B9905DQ	1	1	1	1	Power Switch Assembly
11	B9905AE	1				Name Plate
	B9905AF		1			Name Plate
	B9905AG			1		Name Plate
	B9905AH				1	Name Plate
(12)	B9900CW	2	2	2	2	Bracket Assembly (accessory)
13	E9660JF	1	1	1	1	Spring
14	E9655KH	1	1	1	1	Spring

Chart Cassette and Scale Assembly



Item	Part No.	Qty				Description
		Model	437501	437502	437503	
1	B9905EA	1	1	1	1	Chart Cassette Assembly
2	B9905FS	1	1	1	1	Front Cover
3	B9905EK	1	1	1	1	Latch
4	B9905AZ	1	1	1	1	Shaft
4A	Y9900ET	1	1	1	1	Retainer E
5	B9905FT	1	1	1	1	Set Name Plate B9931GL
6	B9905HG	1	1	1	1	Cover Assembly
7	Y9308LB	1	1	1	1	B.H.Screw, M3x8
8	B9905SH	1	1	1	1	Push Nut
9	B9931CA	1	1	1	1	Scale Bracket Assembly
	B9931DA	1	1	1	1	Display Assembly (/H8),(/N6) } (select)
10	B9905PW	1	1	1	1	Lever
11	B9905PX	1	1	1	1	Latch
12	B9905QB	1	1	1	1	Shaft
13	B9905QA	1	1	1	1	Cover
14	B9931BJ	1	1	1	1	Key Board Assembly
15	B9905KB	1	1	1	1	Cover
16	B9931YD	1	1	1	1	Key Board Assembly
17	B9905KF	1	1	1	1	FPC Assembly
18	B9905HS	4	4	4	4	Pin
19	B9905SG	2	2	2	2	Spring
20	B9905GZ	1	1	1	1	Sleeve
21	B9905HA	1	1	1	1	Spring
22	B9905HC	1	1	1	1	Latch
23	B9902TF	1	1	1	1	Set Name Plate B9900XR } (select)
	B9902TG	1	1	1	1	Name Plate (/P1)
24	B9931CH	1				Scale
	B9931DH	1				Scale (/H8),(/N6) } (select)
	B9931CJ	1				Scale
	B9931DJ	1				Scale (/H8),(/N6) } (select)
	B9931CK		1			Scale
	B9931DK		1			Scale (/H8),(/N6) } (select)
	B9931CL			1		Scale
	B9931DL			1		Scale (/H8),(/N6) } (select)
25	Y9304LB	2	2	2	2	B.H.Screw,M3x4
26	B9931CY	1	1	1	1	Set Name Plate B9931GL,B9931QA or B9931QE

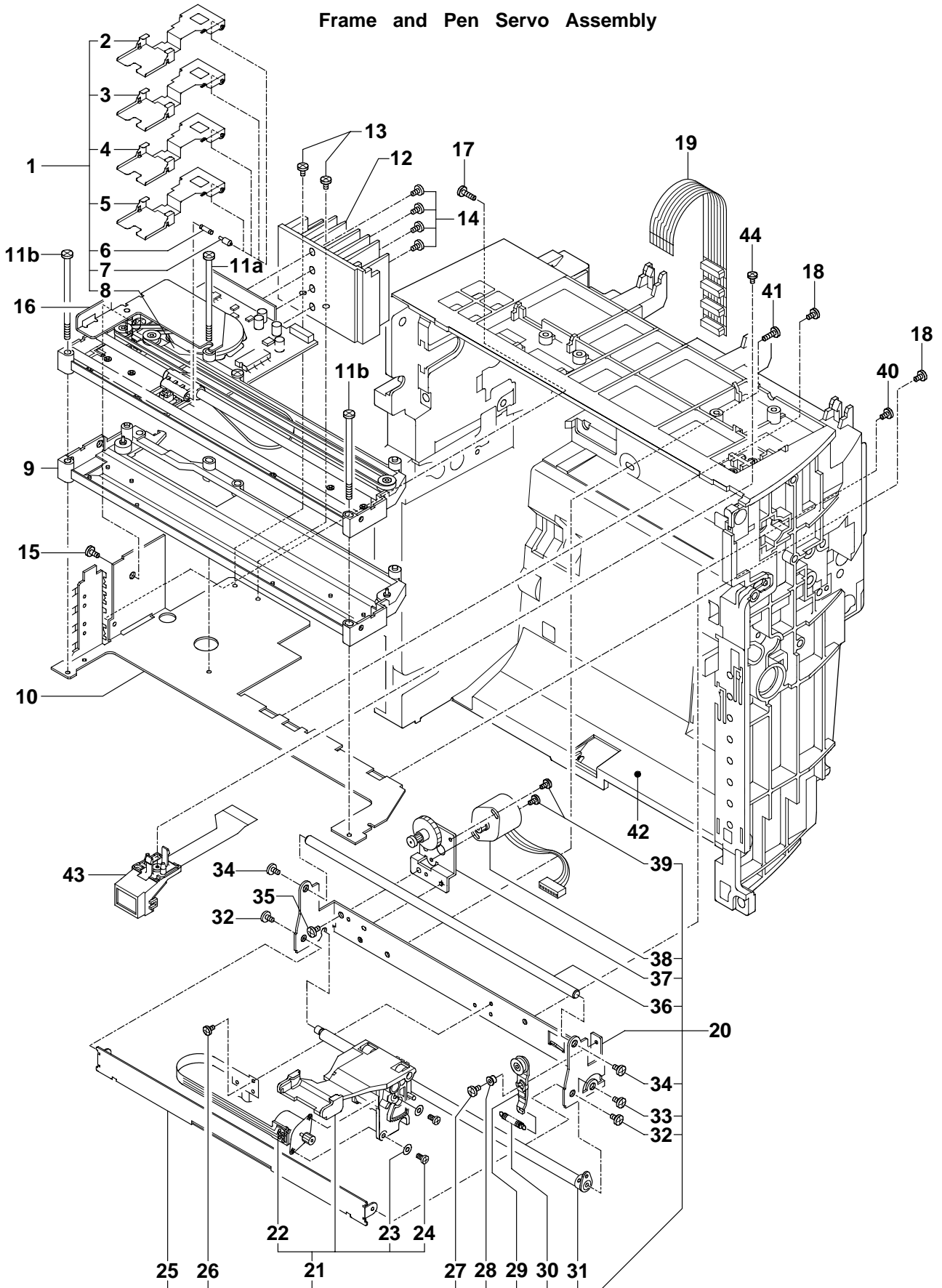
Frame and Chart Motor Assembly



Item	Part No.	Model	Qty				Description
			437501	437502	437503	437504	
1	B9905GS		1	1	1	1	Stepping Motor
2	Y9305TS		1	1	1	1	Tapping Screw, M3x5
3	B9905GW		1	1	1	1	Bracket
4	Y9405LB		4	4	4	4	B.H.Screw, M4x5
5	B9905HK		2	2	2	2	Hinge Assembly
6	B9905XW		1	1	1	1	Chart Sensor Assembly (/F1)
7	B9900TX		1	1	1	1	Tapping Screw (/F1)
8	B9905HP		1	1	1	1	Bushing
9	Y9304LB		2	2	2	2	B.H.Screw, M3x4
10	B9905HQ		1	1	1	1	Plate
11	B9905HS		3	3	3	3	Pin
12	B9905HT		2	2	2	2	Screw
13	Y9401CB		2	2	2	2	Nut M4
14	B9905TA		1	1	1	1	Cable Assembly
15	B9905HR		1	1	1	1	Plate
16	Y9304LB		1	1	1	1	B.H.Screw, M3x4
17	B9905CW		1	1	1	1	Bracket Assembly
18	B9905HS		1	1	1	1	Pin
19	Y9308LS		1	1	1	1	B.H.Screw, M3x8
20	B9931YE		1	1	1	1	Connect Board Assembly
	B9931XE		1	1	1	1	Connect Board Assembly (/F1)
21	B9931BR		1	1	1	1	FPC
22	B9931XP		1	1	1	1	7 seg Board Assembly
23	B9900TX		1	1	1	1	Screw
24	B9931XN		1	1	1	1	VFD Board Assembly
25	B9900TX		2	2	2	2	Screw
26	B9905GF		1	1	1	1	Chart Feed Gear Assembly
27	B9905GN		1	1	1	1	Gear
28	B9905GM		2	2	2	2	Gear
29	B9905GP		1	1	1	1	Shaft
30	B9905GQ		1	1	1	1	Shaft

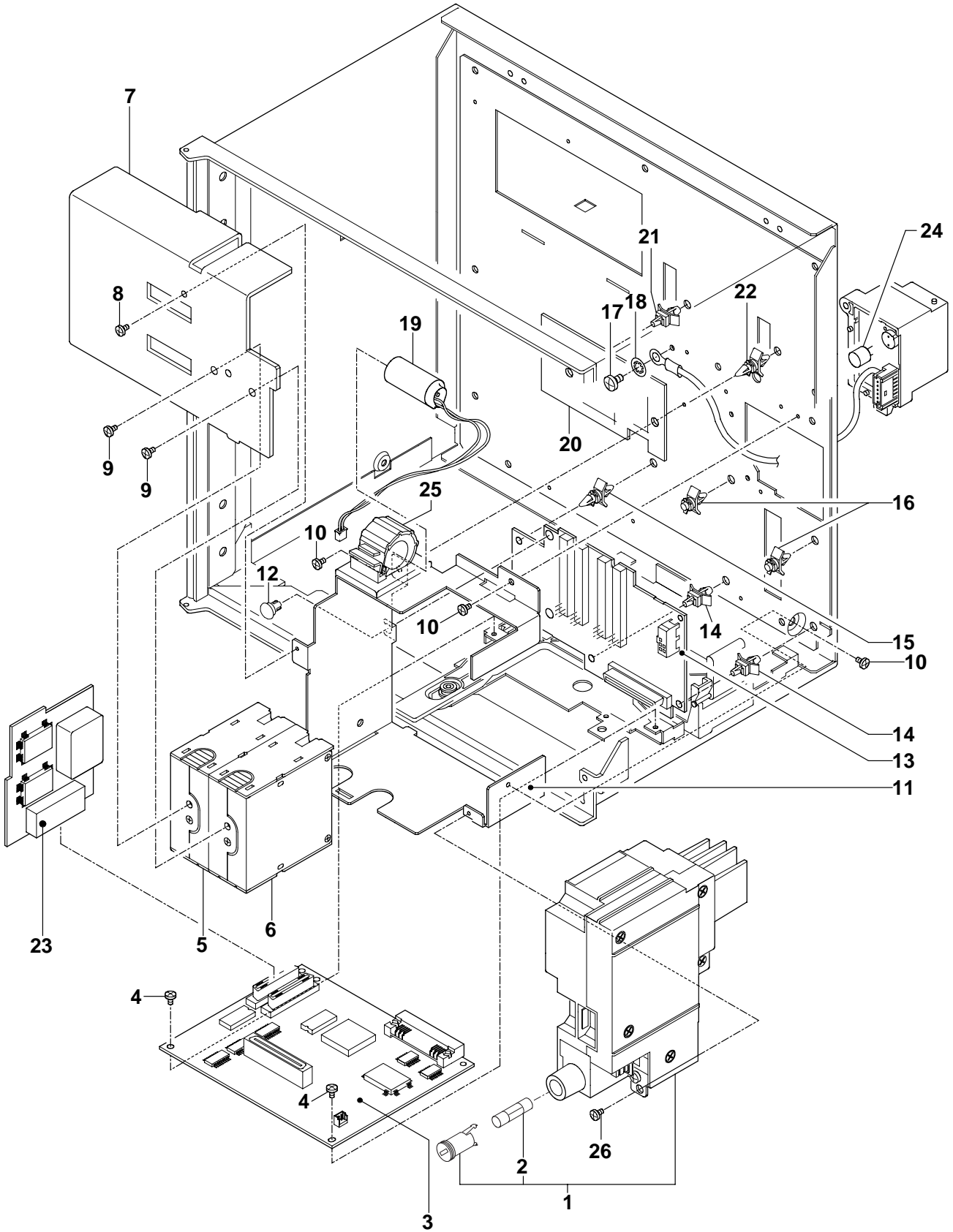
} (select)

Frame and Pen Servo Assembly



Item	Part No.	Model	Qty				Description
			437501	437502	437503	437504	
1	B9905LA	1	1	1	1	1	Pen Servo Assembly
	B9905LB	1	1	1	1	1	Pen Servo Assembly
	B9905LC			1	1		Pen Servo Assembly
	B9905LD				1		Pen Servo Assembly
2	B9900LE	1	1	1	1	1	Pen Arm Assembly
3	B9900LH		1	1	1		Pen Arm Assembly
4	B9900LK			1	1		Pen Arm Assembly
5	B9900LM				1		Pen Arm Assembly
6	B9900LQ	1	2	3	4		Spring
7	B9900LP	1	2	3	4		Pin
8	B9905MA	1	2	3	4		Servo Assembly
9	B9905MF	3	2	1			Base
10	B9905HW	1	1	1	1		Bracket
11a	B9900KX	1	1	1	1		Screw
11b	B9900KX	2	2	2	2		Screw
12	B9900KW	1	1	1	1		Heat Sink
13	Y9304LB	2	2	2	2		B.H.Screw, M3x4
14	Y9306LS	1	2	3	4		B.H.Screw, M3x6
15	Y9304LB	1	1	1	1		B.H.Screw, M3x4
16	B9905HX	1	1	1	1		Cover
17	Y9312LB	1	1	1	1		B.H.Screw, M3x12
18	Y9306LS	2	2	2	2		B.H.Screw, M3x6
19	B9905LN	1					FPC Assembly
	B9905LP		1				FPC Assembly
	B9905LQ			1			FPC Assembly
	B9905LR				1		FPC Assembly
20	B9905NA	1	1	1	1		Plotter Assembly
21	B9905NB	1	1	1	1		Carriage Assembly
22	B9905NX	1	1	1	1		Motor Assembly
23	Y9201WB	2	2	2	2		Washer
24	Y9204LS	2	2	2	2		B.H.Screw, M2x4
25	B9905NP	1	1	1	1		Bracket Assembly
26	Y9204LS	1	1	1	1		B.H. Screw, M2x4
27	Y9306LS	1	1	1	1		B.H.Screw, M3x6
28	B9900RK	1	1	1	1		Collar
29	B9900RH	1	1	1	1		Lever Assembly
30	B9900RM	1	1	1	1		Spring
31	B9905NF	1	1	1	1		Shaft Assembly
32	Y9304LB	2	2	2	2		B.H.Screw, M3x4
33	Y9304LB	1	1	1	1		B.H.Screw, M3x4
34	Y9304LB	2	2	2	2		B.H.Screw, M3x4
35	Y9304LB	1	1	1	1		B.H.Screw, M3x4
36	B9905NE	1	1	1	1		Shaft
37	B9900RB	1	1	1	1		Bracket Assembly
38	B9905NS	1	1	1	1		Motor Assembly
39	Y9204LS	2	2	2	2		B.H.Screw, M2x4
40	Y9306LS	1	1	1	1		B.H.Screw, M3x6
41	Y9312LB	1	1	1	1		B.H.Screw, M3x12
42	-	1	1	1	1		Frame Assembly
43	B9931BN	1	1	1	1		LED Assembly
44	B9931CF	1	1	1	1		Screw

Panel and Case Assembly

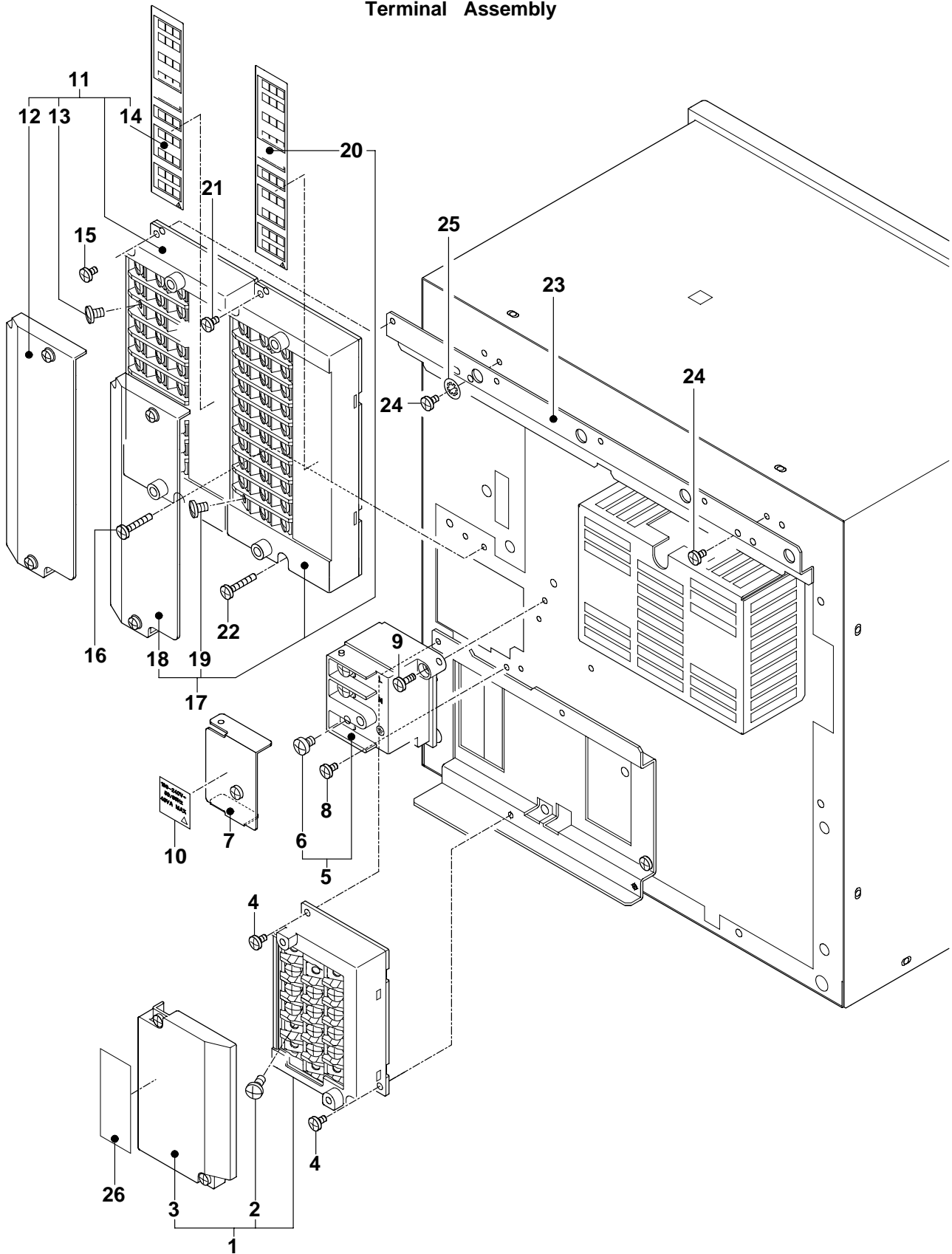


Item	Part No.	Qty				Description	
		Model	437501	437502	437503		437504
1	B9900VG	1	1	1	1	Power Assembly } (select)	
	B9900VR	1	1	1	1		Power Assembly (P1)
2	A1512EF	1	1	1	1	Fuse (Accessory) } (select)	
	A1513EF	1	1	1	1		Fuse (/P1)(Accessory)
3	B9931YA	1	1	1	1	CPU Board Assembly } (select)	
	B9931YC	1	1	1	1		CPU Board Assembly (/H8),(/N6)
4	Y9304LB	2	2	2	2	B.H.Screw, M3x4	
5	B9930EA			1		AD Assembly*1 } (select B)	
	B9900RT			1			AD Assembly*2
	B9900RW			1			AD Assembly*3
	B9930ED			1			AD Assembly*4
	B9930EE			1			AD Assembly*5
	B9930EF			1			AD Assembly*6
	-----						(Not used)*7
6	B9930EA	1				AD Assembly*1 } (select A)	
	B9900RT	1					AD Assembly*2
	B9900RW		1	1	1		AD Assembly*3
	B9930ED		1	1	1		AD Assembly*4
	B9930EE		1	1	1		AD Assembly*5
	B9930EF		1	1	1		AD Assembly*6
	B9930EF		1	1	1		AD Assembly*6
7	B9905BR	1	1	1	1	Bracket	
8	Y9306LS	1	1	1	1	B.H.Screw, M3x6	
9	Y9312LB	1	1	2	2	B.H.Screw, M3x12	
10	Y9304LB	3	3	3	3	B.H.Screw, M3x4	
11	B9905RQ	1	1	1	1	Bracket	
12	B9906PJ	1	1	1	1	Rivet	
13	B9905YR	1	1			Mother Board Assembly (Standard or /P1)	
	B9905YS			1	1		Mother Board Assembly (Standard or /P1)
14	B9906PF	2	2	2	2	Spacer	
15	B9906PG	1	1	1	1	Spacer	
16	B9906PH	2	2	2	2	Spacer	
17	Y9405LB	1	1	1	1	B.H.Screw, M4x5	
18	Y9401WL	1	1	1	1	Toothed Lock Washer	
19	B9905WD	1	1	1	1	Battery Assembly	
20	B9905XY	1	1	1	1	Sub Op, Mother 2 Assembly (/A3),(/F1) } (select)	
	B9905YY	1	1	1	1		Sub Op, Mother 1 Assembly (/A1),(/A2),(/A3),(/C3),(/F1),(/R1)
21	B9906PF	1	1	1	1	Spacer } (option)	
22	B9906PG	1	1	1	1		Spacer
23	B9902EP	1	1	1	1	COM Board Assembly (/C3)(option)	
24	A1450EF	1	1	1	1	Fuse (/P1)	
25	B9905RW	1	1	1	1	Clamp	
26	Y9306LB	1	1	1	1	B.H.Screw, M3x6	

Note:

		Model Code									
		Select A			Select B						
43750	1	0 -3 4	□	--	*1	0 -3 4	□	--	*1		
	2	-1 2	□	--	*2	-1 2	□	--	*2		
	3	-1 2	□	-1 2	□	*3	-1 2	□	-1 2	□	*3
	4	-1 2	□	0 -3 4	□	*4	-1 2	□	0 -3 4	□	*4
		0 -3 4	□	0 -3 4	□	*5	0 -3 4	□	0 -3 4	□	*5
		0 -3 4	□	-1 2	□	*6	0 -3 4	□	-1 2	□	*6
							--	--			*7

Terminal Assembly



Item	Part No.	Qty				Description	
		Model	437501	437502	437503		437504
1	B9900SD	1	1	1	1	Terminal Assembly*2,*3	
	B9930FA	1	1	1	1	Terminal Assembly*1	
	B9902CW	1	1	1	1	Terminal Assembly*2,*3,*4	
	B9930FE	1	1	1	1	Terminal Assembly*1,*4	
2	E9655FX	12	12	12	12	B.H. Screw M4x6(±)	
3	B9900XQ	1	1	1	1	Cover Assembly	
	B9902DA	1	1	1	1	Cover Assembly*4	
4	Y9304LB	2	2	2	2	B.H. Screw M3x5	
5	B9900VW	1	1	1	1	Power Terminal Assembly	
6	E9655FX	3	3	3	3	B.H. Screw M4x6(±)	
7	B9900EQ	1	1	1	1	Cover Assembly	
8	Y9306LS	1	1	1	1	B.H. Screw M3x6	
9	Y9310LB	1	1	1	1	B.H.Screw M3x10	
10	B9900ES	1	1	1	1	Set Name Plate B9931GL	
	B9902FD	1	1	1	1	Name Plate (P1)	
11	B9902PC	1	1	1	1	OPT Terminal Assembly*5	
	B9902PD	1	1	1	1	OPT Terminal Assembly*9	
	B9902PE	1	1	1	1	OPT Terminal Assembly*13,*15	
	B9902PF	1	1	1	1	OPT Terminal Assembly*17	
	B9902PG	1	1	1	1	OPT Terminal Assembly*19	
	B9902PH	1	1	1	1	OPT Terminal Assembly*7	
	B9902PJ	1	1	1	1	OPT Terminal Assembly*11	
	B9902PK	1	1	1	1	OPT Terminal Assembly*6	
	B9902PL	1	1	1	1	OPT Terminal Assembly*10	
	B9902PM	1	1	1	1	OPT Terminal Assembly*14,*16	
	B9902PN	1	1	1	1	OPT Terminal Assembly*18	
	B9902PP	1	1	1	1	OPT Terminal Assembly*20	
	B9902PQ	1	1	1	1	OPT Terminal Assembly*8	
	B9902PR	1	1	1	1	OPT Terminal Assembly*12	
	12	B9902BA	1	1	1	1	Cover Assembly
	13	E9655FX	30	30	30	30	B.H.Screw,M4x6(±)
14	B9902DC	1	1	1	1	Nameplate*5	
	B9902DD	1	1	1	1	Nameplate*9	
	B9902DE	1	1	1	1	Nameplate*13,*15	
	B9902DF	1	1	1	1	Nameplate*17	
	B9902DG	1	1	1	1	Nameplate*19	
	B9902DH	1	1	1	1	Nameplate*7	
	B9902DJ	1	1	1	1	Nameplate*11	
	B9902DK	1	1	1	1	Nameplate*6	
	B9902DL	1	1	1	1	Nameplate*10	
	B9902DM	1	1	1	1	Nameplate*14,*16	
	B9902DN	1	1	1	1	Nameplate*18	
	B9902DP	1	1	1	1	Nameplate*20	
	B9902DQ	1	1	1	1	Nameplate*8	
	B9902DR	1	1	1	1	Nameplate*12	
	15	Y9306LS	1	1	1	1	B.H. Screw M3x6
	16	Y9316LS	1	1	1	1	B.H. Screw M3x16
17	B9902PT	1	1	1	1	OPT Terminal Assembly*15,*16	
18	B9902PS	1	1	1	1	OPT Terminal Assembly*21,*22	
	B9902BA	1	1	1	1	Cover Assembly	
19	E9655FX	30	30	30	30	B.H.Screw,M4x6(±)	
20	B9902DT	1	1	1	1	Nameplate*15,*16	
	B9902DS	1	1	1	1	Nameplate*21,*22	
21	Y9306LS	1	1	1	1	B.H.Screw M3x6	
22	Y9316LS	1	1	1	1	B.H.Screw M3x16	
23	B9905BN	1	1	1	1	Bracket	
24	Y9304LB	2	2	2	2	B.H.Screw M3x4	
25	Y9301WL	1	1	1	1	Toothed Lockwasher	
26	B9900SH	1	1	1	1	Name Plate	

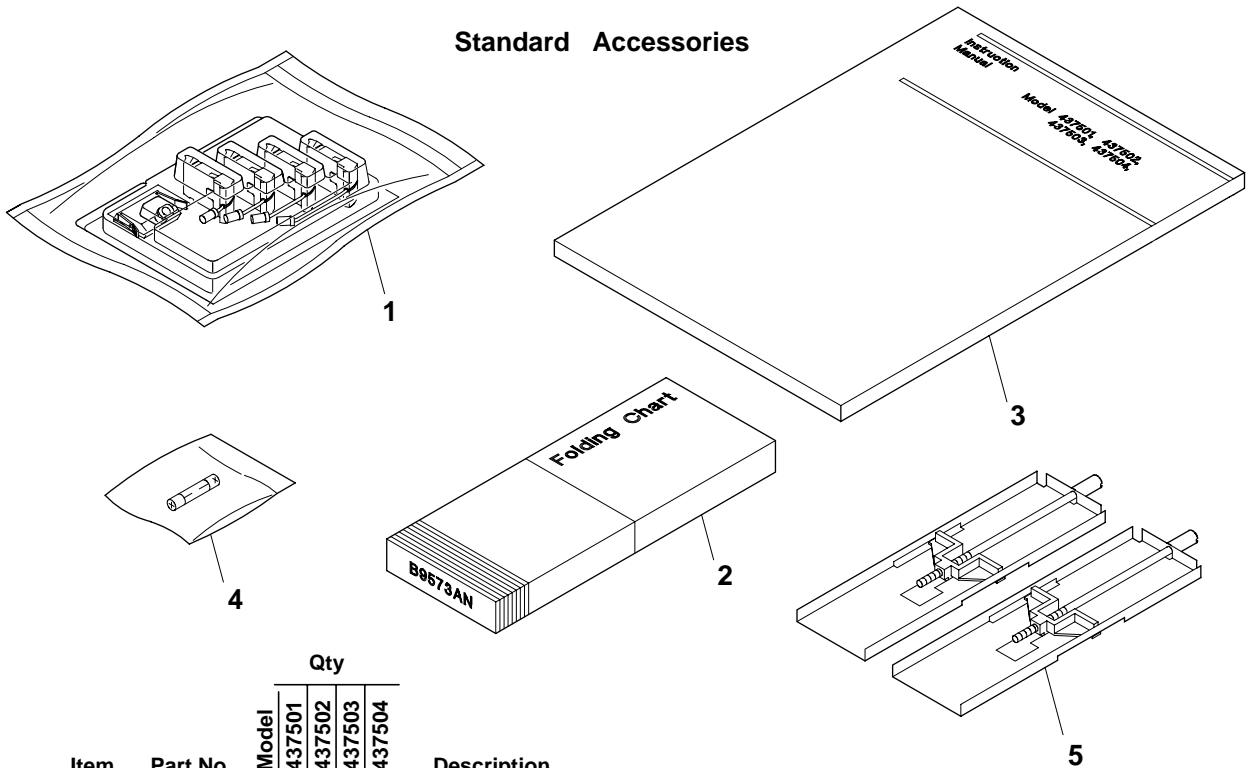
Note;
*1 to *22 see page 14

Input Type	Range Code	Measuring Range	
DC	00	-20.00 to 20.00mV	*1
	01	-200.00 to 200.00mV	
	02	-2.000 to 2.000V	
	03	-6.000 to 6.000V	
	04	-20.00 to 20.00V	
DC (linear scaling)	30	-20.00 to 20.00mV	
	31	-200.00 to 200.00mV	
	32	-2.000 to 2.000V	
	33	-6.000 to 6.000V	
	34	-20.00 to 20.00V	
DC (linear root scaling)	40	-20.00 to 20.00mV	
	41	-200.00 to 200.00mV	
	42	-2.000 to 2.000V	
	43	-6.000 to 6.000V	
	44	-20.00 to 20.00V	
TC	10	Type R 0 to 1760 C	*2
	11	Type S 0 to 1760 C	
	12	Type B 0 to 1820 C	
	13	Type K -200 to 1370 C	
	14	Type E -200 to 800 C	
	15	Type J -200 to 1100 C	
	16	Type T -200 to 400 C	
	17	Type N 0 to 1300 C	
	18	Type W 0 to 2315 C	
	19	Type L -200 to 900 C	
	1A	Type U -200 to 400 C	
RTD	20	JPt100 -200 to 550 C	*3
	21	Pt100 -200 to 600 C	

Note; JPt100 JIS C1604-1981, JIS C1606-1989
 Pt100 JIS C1604-1989, JIS C1606-1989 DIN IEC751, IEC751

Model Code	Suffix Code(options)					
1 437502□□ □□ 3 4	/A1			/C3	/H2	*4
	/A1		/R1	/C3		*5
	/A1	/F1		/C3		*6
	/A1	/F1	/R1	/C3		*7
	/A1	/F1	/R1	/C3		*8
	/A2			/C3		*9
	/A2		/R1	/C3		*10
	/A2	/F1		/C3		*11
	/A2	/F1	/R1	/C3		*12
	/A3			/C3		*13
	/A3		/R1	/C3		*14
	/A3	/F1		/C3		*15
	/A3	/F1	/R1	/C3		*16
				/C3		*17
			/R1	/C3		*18
		/F1		/C3		*19
		/F1	/R1	/C3		*20
	/A4			/C3		*21
	/A4		/R1	/C3		*22

Standard Accessories



Item	Part No.	Qty				Description
		Model 437501	437502	437503	437504	
1	—	1	1	1	1	Pen Assembly (1st pen and plotter pen)
	—		1			Pen Assembly (1st, 2nd pens and plotter pen)
	—			1		Pen Assembly (1st, 2nd, 3rd pens and plotter pen)
	—				1	Pen Assembly (1st, 2nd, 3rd, 4th pens and plotter pen)
2	B9573AN	1	1	1	1	Chart *2
3	—	1	1	1	1	Instruction Manual
4	A1512EF	1	1	1	1	Fuse
	A1513EF	1	1	1	1	Fuse (/P1) } (select)
5	B9900CW	2	2	2	2	Bracket Assembly

Spares

Note *1 Pen package is supplied in packs of 3 pcs
One pack is the minimum order quantity.

Part NO.	Description
B9930BP	1st Pen (red)
B9930BQ	2nd Pen (green)
B9930BR	3rd Pen (blue)
B9930BS	4th Pen (violet)
B9902AR	Plotter Pen (purple)

*2 Part number: B9573AN
Minimum order quantity: 10 units
(1 chart/unit)