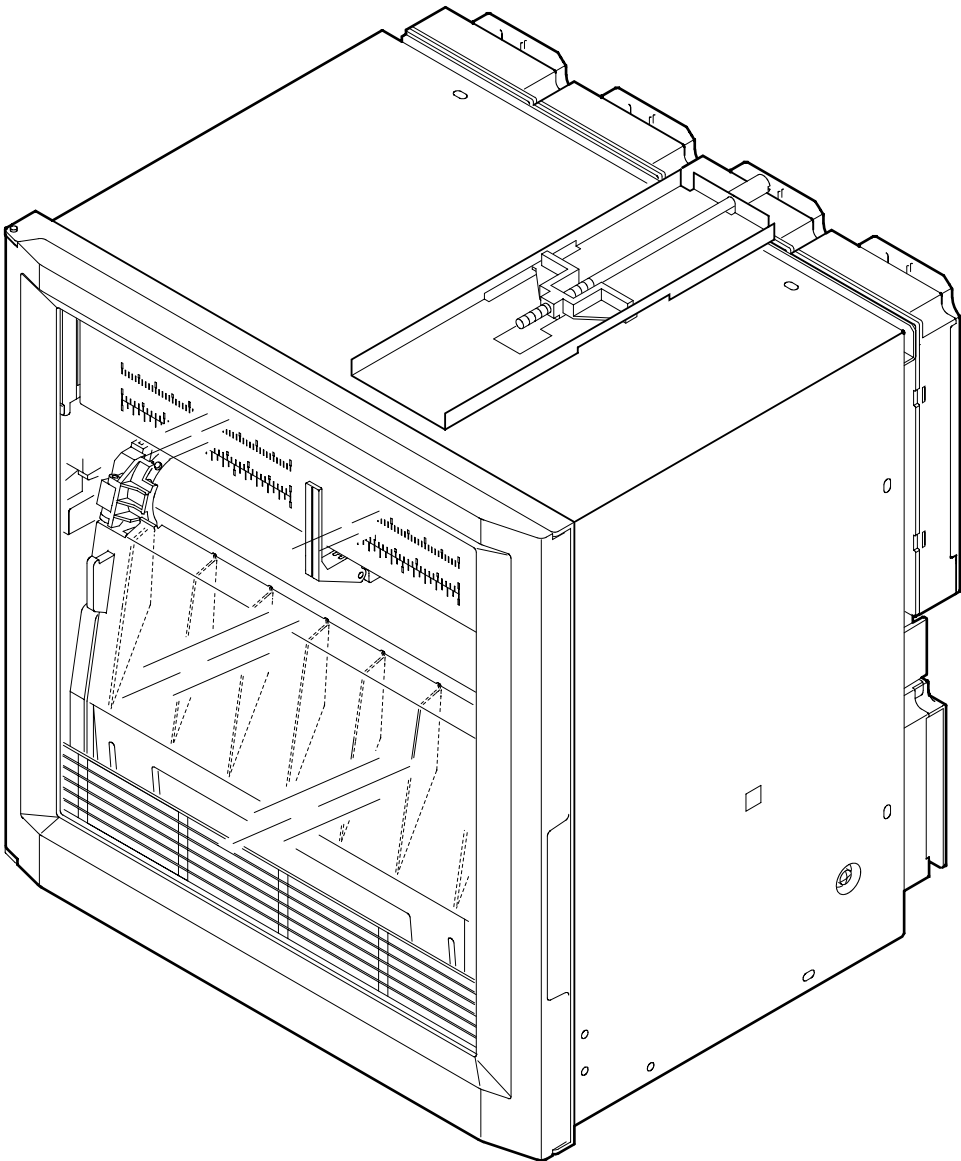
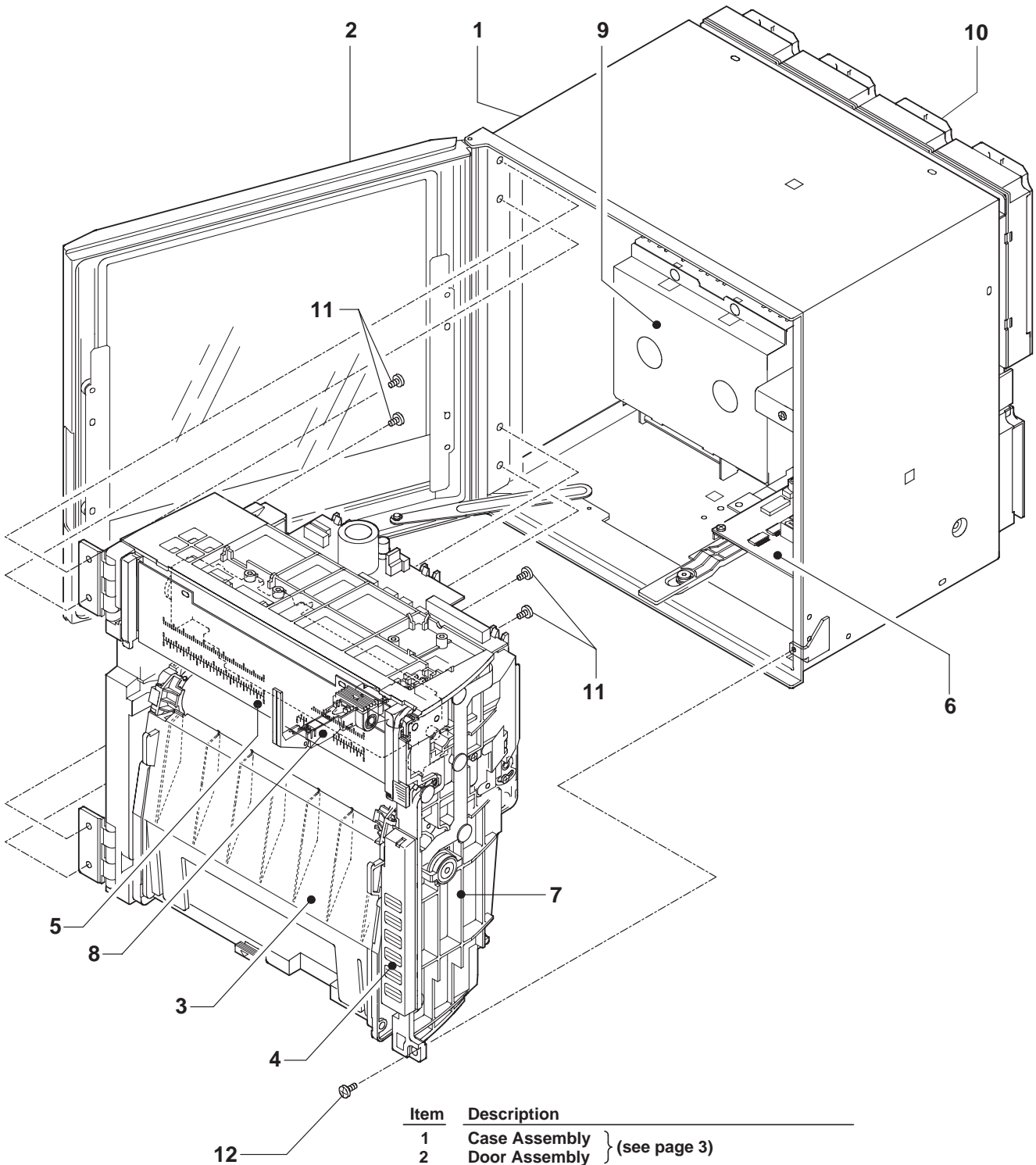


**Customer
Maintenance
Parts List**

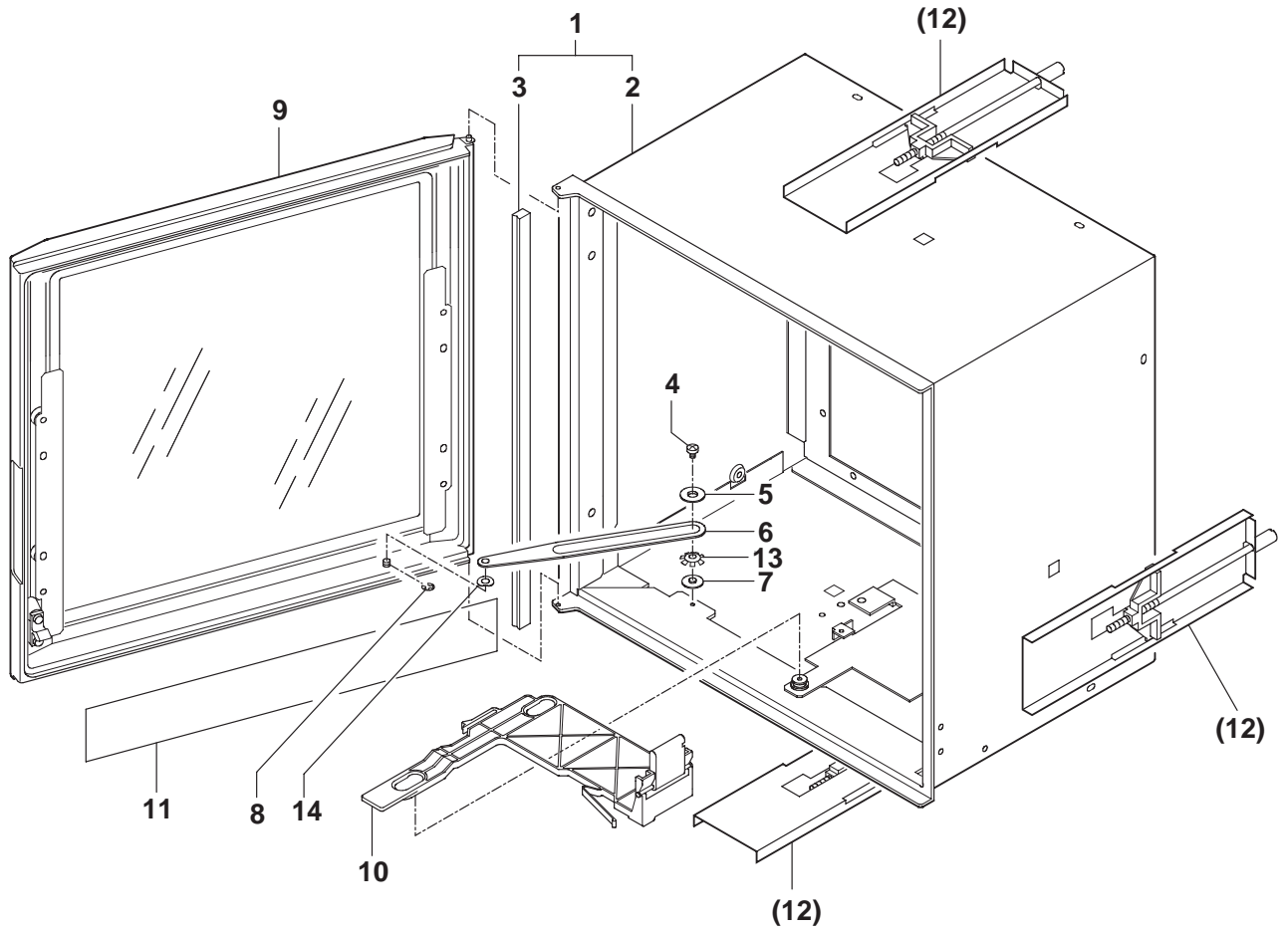
**Model 4375 06, 12, 18, 24
μRS1800 Recorder
Dot Printing Model**





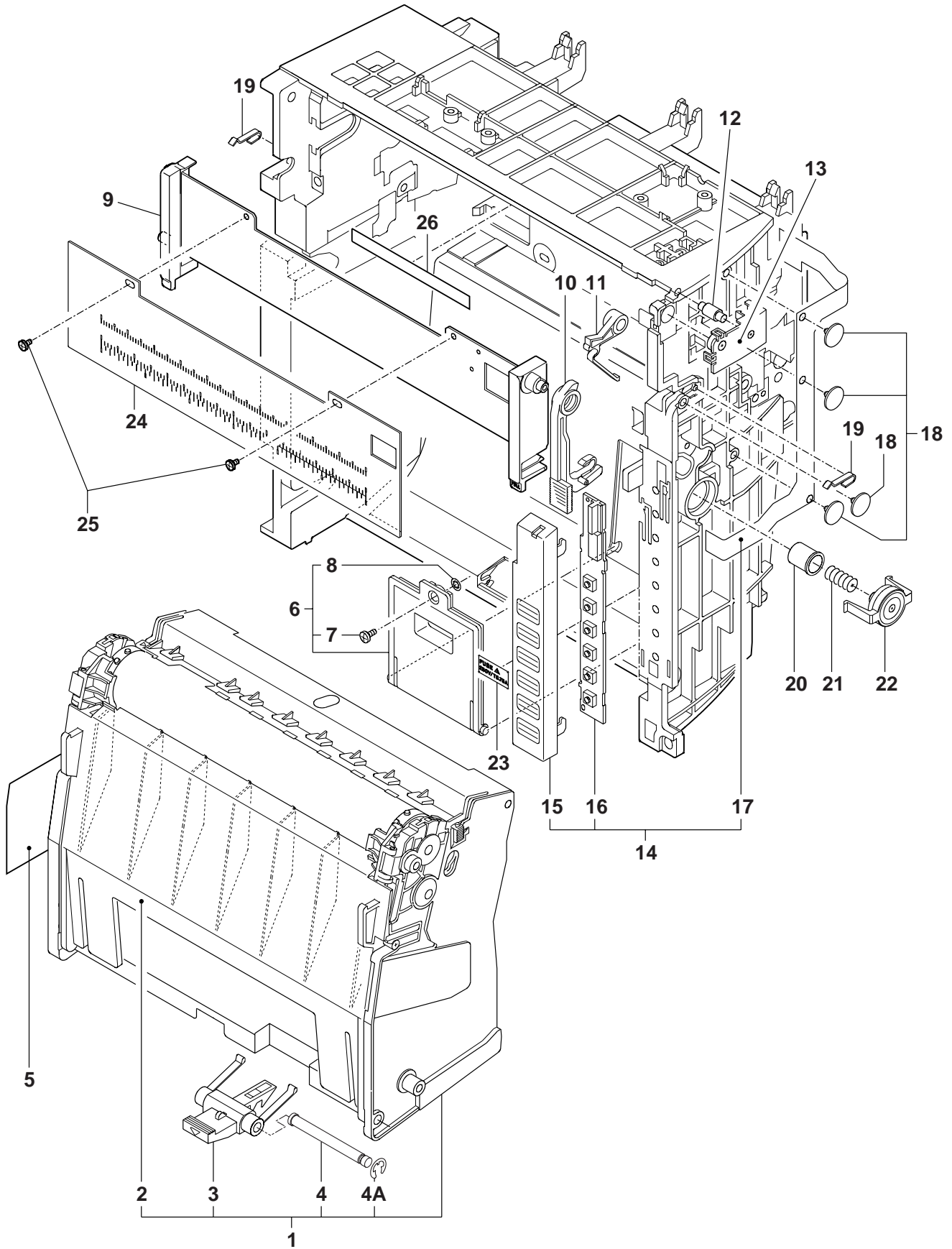
Item	Description
1	Case Assembly
2	Door Assembly
3	Chart Cassette Assembly
4	Key Board Assembly
5	Scale and Scale Bracket Assembly
6	CPU Board Assembly
7	Frame Assembly
8	Carriage Assembly
9	Panel Assembly
10	Terminal Assembly
11	B.H.Screw,M4x5 4ea (Y9405LB)
12	B.H.Screw,M4x10 1ea (Y9410LE)

Case and Door Assembly



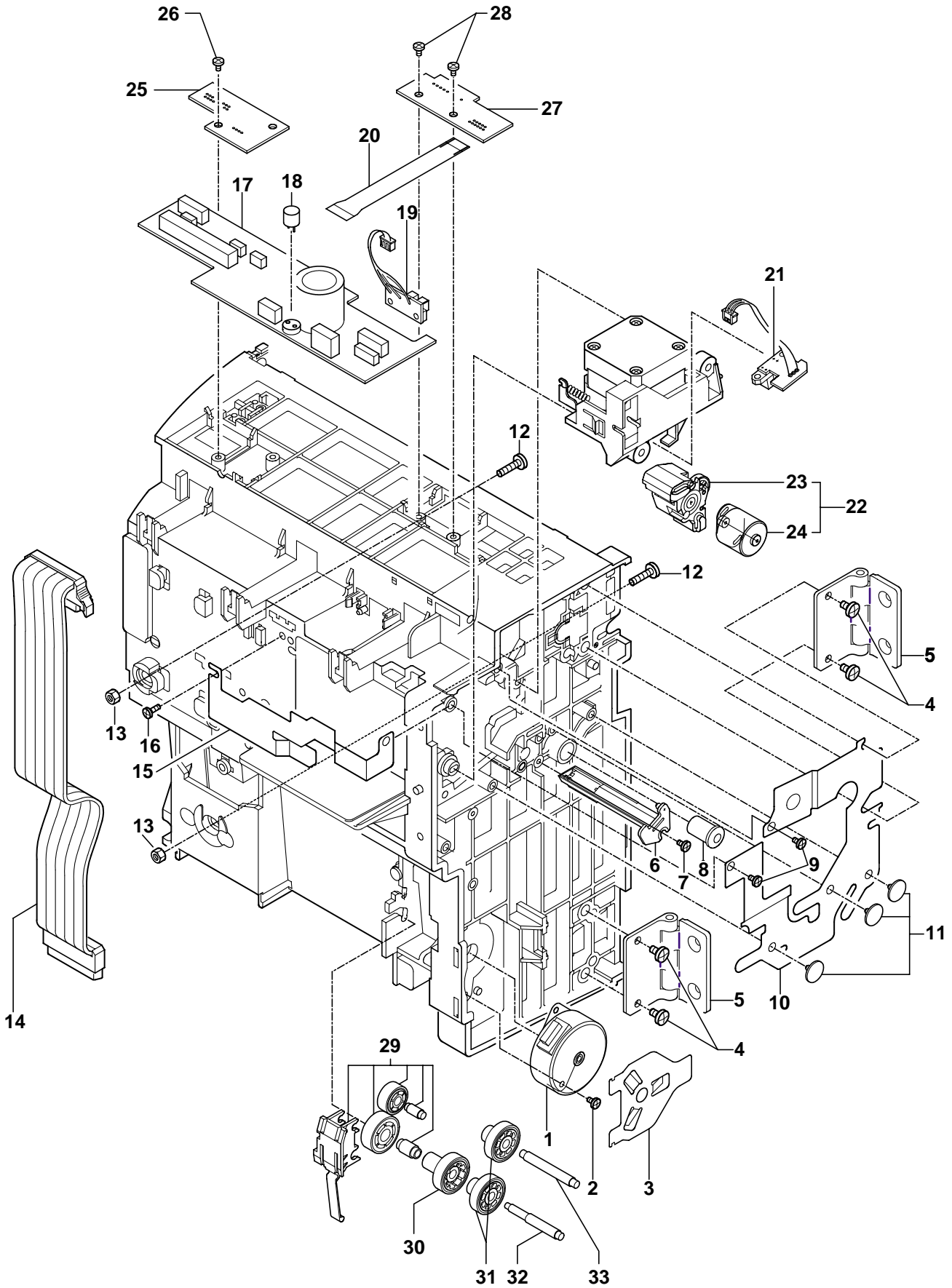
Item	Part No.	Qty				Description
		Model	437506	437512	437518	
1	B9905BA	1	1	1	1	Case Assembly
2	B9905BC	1	1	1	1	Case Assembly
3	B9905CK	1	1	1	1	Gasket
4	Y9205KB	1	1	1	1	B.H. Screw, M2.3x5
5	B9905CL	1	1	1	1	Boss
6	B9905DL	1	1	1	1	Bracket
7	B9905CP	1	1	1	1	Boss
8	Y9300ET	1	1	1	1	'E'Ring
9	B9931BA	1	1	1	1	Door Assembly
	B9931BG	1	1	1	1	Door Assembly (/H3) } (select)
10	B9905DQ	1	1	1	1	Power Switch Assembly
11	B9906AE	1				Name Plate
	B9906AF		1			Name Plate
	B9906AG			1		Name Plate
	B9906AH				1	Name Plate
(12)	B9900CW	2	2	2	2	Bracket Assembly (accessory)
13	E9660JF	1	1	1	1	Spring
14	E9655KH	1	1	1	1	Spring

Chart Cassette and Scale Assembly



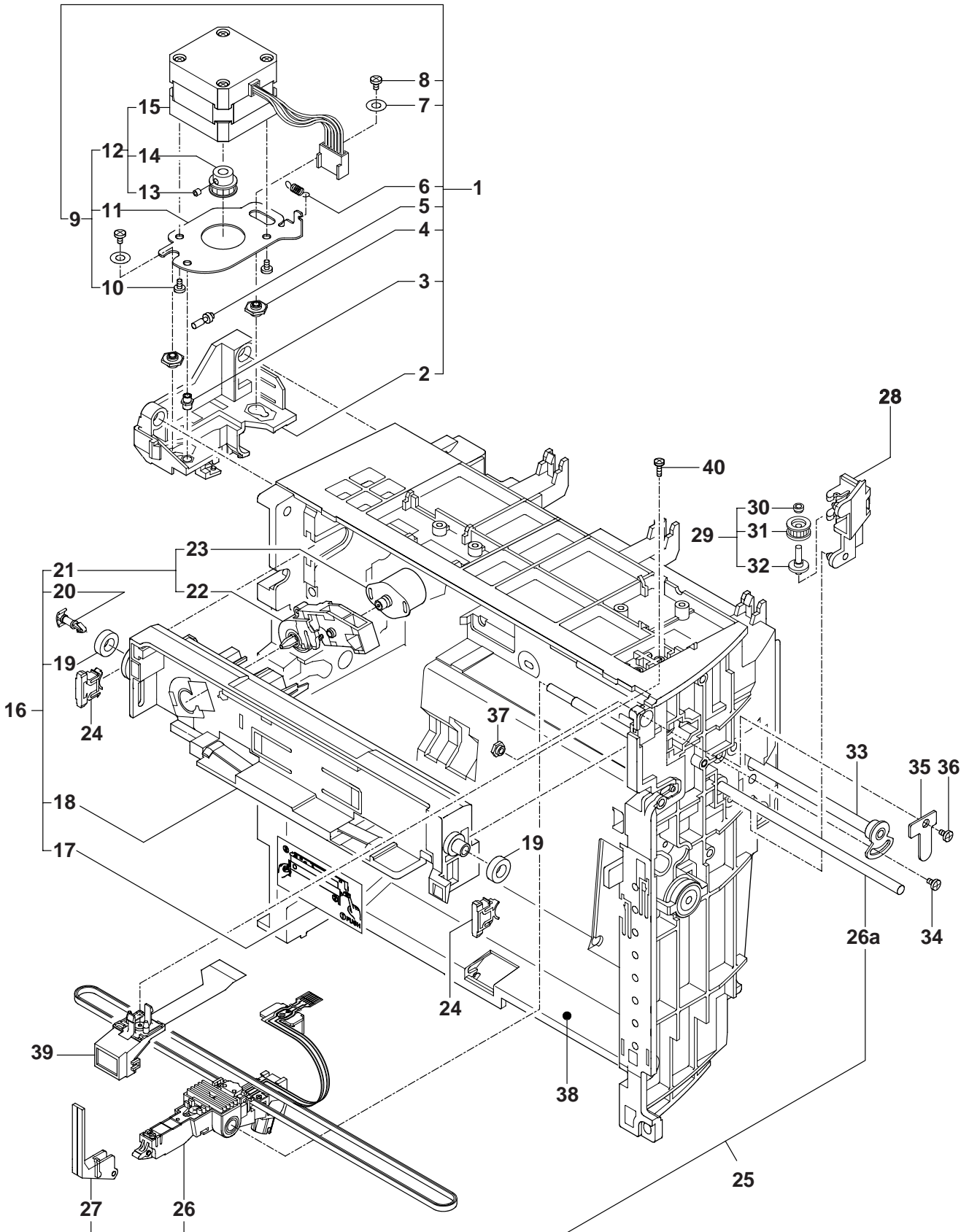
Item	Part No.	Qty				Description
		Model	437506	437512	437518	
1	B9906DA	1	1	1	1	Chart Cassette Assembly
2	B9905FS	1	1	1	1	Front Cover
3	B9905EK	1	1	1	1	Latch
4	B9905AZ	1	1	1	1	Shaft
4A	Y9400ET	1	1	1	1	Retainer E
5	B9905FT	1	1	1	1	Name Plate
6	B9905HG	1	1	1	1	Cover Assembly
7	Y9308LB	1	1	1	1	B.H.Screw, M3x8
8	B9905SH	1	1	1	1	Push Nut
9	B9931MA	1	1	1	1	Scale Bracket Assembly
	B9931PA	1	1	1	1	Display Assembly(/H8)
	B9931PL	1	1	1	1	Display Assembly(/N6)
10	B9905PW	1	1	1	1	Lever
11	B9905PX	1	1	1	1	Latch
12	B9905QB	1	1	1	1	Shaft
13	B9905QA	1	1	1	1	Cover
14	B9931BJ	1	1	1	1	Key Board Assembly
15	B9905KB	1	1	1	1	Cover
16	B9931YD	1	1	1	1	Key Board Assembly
17	B9905KF	1	1	1	1	FPC Assembly
18	B9905HS	4	4	4	4	Pin
19	B9905SG	2	2	2	2	Spring
20	B9905GZ	1	1	1	1	Sleeve
21	B9905HA	1	1	1	1	Spring
22	B9905HC	1	1	1	1	Latch
23	B9902TF	1	1	1	1	Set Name Plate (B9900XR)
	B9902TG	1	1	1	1	Name Plate(/P1)
24	B9931MC	1	1	1	1	Scale
	B9931PH	1	1	1	1	Scale(/H8)
	B9931PN	1	1	1	1	Scale(/N6)
25	Y9304LB	2	2	2	2	B.H.Screw,M3x4
26	B9931CY	1	1	1	1	Set Name Plate B9931QA or B9931QE

Frame and Chart Motor Assembly



Item	Part No.	Model	Qty				Description
			437506	437512	437518	437524	
1	B9905GS		1	1	1	1	Stepping Motor
2	B9900TX		1	1	1	1	Tapping Screw, M3x5
3	B9905GW		1	1	1	1	Bracket
4	Y9405LB		4	4	4	4	B.H.Screw, M4x5
5	B9905HK		2	2	2	2	Hinge Assembly
6	B9905XW		1	1	1	1	Chart Sensor Assembly(/F1)
7	B9900TX		1	1	1	1	Tapping Screw(/F1)
8	B9905HP		1	1	1	1	Bushing
9	Y9304LB		2	2	2	2	B.H.Screw, M3x4
10	B9905HQ		1	1	1	1	Plate
11	B9905HS		3	3	3	3	Pin
12	B9905HT		2	2	2	2	Screw
13	Y9401CB		2	2	2	2	Nut M4
14	B9905TA		1	1	1	1	Cable Assembly
15	B9906GS		1	1	1	1	Plate
16	Y9308LB		1	1	1	1	B.H.Screw, M3x8
17	B9931SF		1	1	1	1	Driver Board Assembly
	B9931SG		1	1	1	1	Driver Board Assembly (/F1) } (select)
18	B9573TZ		1	1	1	1	Fuse
19	B9906RX		1	1	1	1	Sensor Assembly
20	B9931BR		1	1	1	1	FPC
21	B9906FN		1	1	1	1	Sensor Assembly
22	B9906FR		1	1	1	1	Ribbon Swing Assembly
23	B9901JS		1	1	1	1	Ribbon Swing Gear Assembly
24	B9906FS		1	1	1	1	Motor Assembly
25	B9931XP		1	1	1	1	7seg Board Assembly
26	B9900TX		1	1	1	1	Screw
27	B9931XN		1	1	1	1	VFD Board Assembly
28	B9900TX		2	2	2	2	Screw
29	B9905GF		1	1	1	1	Chart Feed Gear Assembly
30	B9905GN		1	1	1	1	Gear
31	B9905GM		2	2	2	2	Gear
32	B9905GP		1	1	1	1	Shaft
33	B9905GQ		1	1	1	1	Shaft

Frame and Carriage Assembly



Item	Part No.	Model	Qty				Description
			437506	437512	437518	437524	
1	B9906FB		1	1	1	1	Motor Bracket Assembly
2	B9906FF		1	1	1	1	Motor Bracket
3	B9906FJ		1	1	1	1	Stud
4	B9906FH		2	2	2	2	Nut
5	B9906FL		1	1	1	1	Shaft
6	B9906FK		1	1	1	1	Spring
7	Y9401WB		2	2	2	2	Washer
8	Y9304LB		2	2	2	2	B.H.Screw, M3x4
9	B9906FC		1	2	3	4	Motor Plate Assembly
10	Y9304LB		2	2	2	2	B.H.Screw, M3x4
11	B9906FE		1	1	1	1	Plate
12	B9906FD		1	1	1	1	Motor Assembly
13	Y9303SJ		1	1	1	1	Set Screw
14	B9901ET		1	1	1	1	Drive Pulley
15	B9906FX		1	1	1	1	Motor
16	B9906GA		1	1	1	1	Ribbon Holder Assembly
17	B9906GP		1	1	1	1	Name Plate
18	B9906GB		1	1	1	1	Ribbon Holder Assembly
19	B9906GG		2	2	2	2	Bearing
20	B9906GH		1	1	1	1	Latch
21	B9906GK		1	1	1	1	Ribbon Feed Assembly
22	B9906GQ		1	1	1	1	Ribbon Feed Gear Assembly
23	B9906GL		1	1	1	1	Motor Assembly
24	B9906GR		2	2	2	2	Holder Lock
25	B9931MG		1	1	1	1	Carriage Assembly
26	B9906ED		1	1	1	1	Carriage Assembly
27	B9931MH		1	1	1	1	Flag
28	B9906EM		1	1	1	1	Pulley Bracket
29	B9906EY		1	1	1	1	Pulley Assembly
30	B9906FA		1	1	1	1	Collar
31	B9901EY		1	1	1	1	Pulley
32	B9906EZ		1	1	1	1	Shaft
33	B9906EP		1	1	1	1	Adjust Shaft Assembly
34	Y9304LB		1	1	1	1	B.H.Screw, M3x4
35	B9906EX		1	1	1	1	Bracket
36	Y9304LB		1	1	1	1	B.H.Screw, M3x4
37	B9906EW		1	1	1	1	Lever Nut
38	-		1	1	1	1	Frame Assembly
39	B9931BN		1	1	1	1	LED Assembly
40	B9931CF		1	1	1	1	Screw

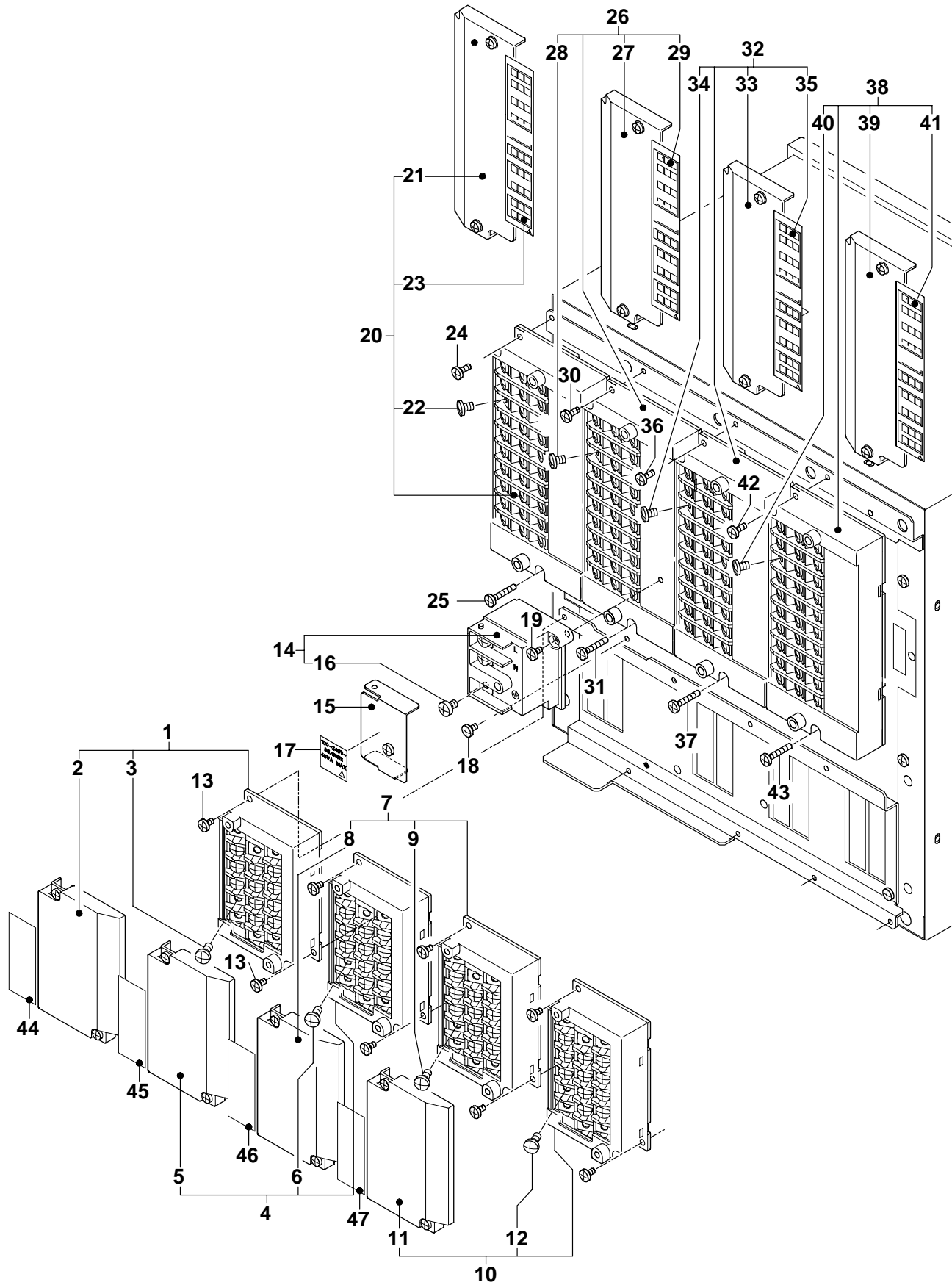
Item	Part No.	Qty			Description		
		Model	437506	437512		437518	437524
1	B9900VG	1	1	1	1	Power Assembly	} (select)
	B9900VR	1	1	1	1	Power Assembly(/P1)	
2	A1512EF	1	1	1	1	Fuse (Accessory)	} (select)
	A1513EF	1	1	1	1	Fuse(/P1)(Accessory)	
3	B9931TB	1	1	1	1	CPU Board Assembly	} (select)
	B9931TC	1	1	1	1	CPU Board Assembly(/H8),(/N6)	
4	Y9304LB	2	2	2	2	B.H.Screw, M3x4	
5	B9901SK	1	2	3	4	Scanner Board Assembly*3,*6	} (select)
	B9930SK	1	2	3	4	Scanner Board Assembly*1,*2,*4,*5	
6	B9930SH	1	1	1	1	AD Board Assembly*1,*4	} (select)
	B9930TH	1	1	1	1	AD Board Assembly*2	
	B9930SJ	1	1	1	1	AD Board Assembly*5	
	B9901SH	1	1	1	1	AD Board Assembly*3,*6	
	B9902SA	1	1	1	1	AD Board Assembly*3b,*6b	
7	B9902EP	1	1	1	1	COM Board Assembly (/C3)	
8	B9905RW	1	1	1	1	Clamp	
9	Y9306LB	1	1	1	1	B.H.Screw,M3x6	
10	B9906NB	1	1	1	1	Bracket	
11	B9906PJ	1	1	1	1	Rivet	
12	Y9304LB	5	5	5	5	B.H.Screw, M3x4	
13	Y9306LS	1	1	1	1	B.H.Screw, M3x6	
14	B9906NF	1	1	1	1	Bracket Assembly	
15	B9906CB	1	1	1	1	Bracket	
16	B9906CC	1	1	1	1	Bracket	
17	S9089PB	2	2	2	2	Clamp	
18	A9031KY	2	2	2	2	Clamp	
19	B9906SN	1				Dot Mother Board Assembly	} (select)
	B9906RN	1				Dot Mother Board Assembly (/N2)	
	B9906SQ	1				12D Mother Board Assembly	} (select)
	B9906RQ	1				12D Mother Board Assembly (/N2)	
	B9906SR	1				18D Mother Board Assembly	} (select)
	B9906RR	1				18D Mother Board Assembly (/N2)	
	B9906SS	1				24D Mother Board Assembly	} (select)
	B9906RS	1				24D Mother Board Assembly (/N2)	
20	B9906PF	2	2	2	2	Rivet	
21	B9906PH	1	1	1	1	Rivet	
22	B9906PG	1	2	4	4	Rivet	
23	Y9405LB	1	1	1	1	B.H.Screw, M4x5	
24	Y9401WL	1	1	1	1	Toothed Washer	
25	B9905WD	1	1	1	1	Battery Assembly	
26	B9905YY	1				Sub Op, Mother 1 Assembly (/A1,/A2)/(A3)/(C3)/(F1)	} (select)
	B9905XY	1				Sub Op, Mother 2 Assembly (/A4)/(A3,/F1)	
	B9906SY	1	1	1	1	Main Op, Mother 1 Assembly (/A1,/A2)/(A3)/(C3)/(F1)/(R1)	} (select)
	B9906SZ	1	1	1	1	Main Op, Mother 2 Assembly (/A4)/(A3,/F1)	
	B9906RY	1	1	1	1	Main Op, Mother 3 Assembly (/A4,/F1)	
	B9906RZ	1	1	1	1	Main Op, Mother 4 Assembly (/A5)	
27	B9906PG	1	2	2	2	Rivet (option)	
28	B9906PF	1	2	2	2	Rivet (option)	
29	A1450EF	1	1	1	1	Fuse(/P1)	

Note;

*1,*2,*3,*4,*5,*6

(see page 14)

Terminal Assembly



Item	Part No.	Qty			Description		Item	Part No.	Qty			Description	
		Model	437506	437512					437518	Model	437506		
1	B9901JA	1	1	1	1	25	Y9316LS	1	1	1	1	B.H.Screw M3x16	(select)
	B9901JM	1	1	1	1	26	B9902PT	1	1	1	1	OPT Terminal Assembly*17,*28	}
	B9930NA	1	1	1	1		B9902PS	1	1	1	1	OPT Terminal Assembly*11,*22	
	B9930NE	1	1	1	1		B9902PS	1	1	1	1	OPT Terminal Assembly *12,*18,*23,*29	}
2	B9901BT	1	1	1	1	27	B9902BA	1	1	1	1	Cover Assembly	
	B9901JP	1	1	1	1	28	E9655EX	30	30	30	30	B.H.Screw, M4x6(±)	}
3	E9655FX	18	18	18	18	29	B9902DT	1	1	1	1	Nameplate	
4	B9906KA	1	1	1	1		B9902DS	1	1	1	1	Nameplate	}
	B9906KG	1	1	1	1	30	Y9306LS	1	1	1	1	B.H.Screw M3x6	
	B9931NA	1	1	1	1	31	Y9316LS	1	1	1	1	B.H.Screw M3x16	}
	B9931NK	1	1	1	1	32	B9902PT	1	1	1	1	OPT Terminal Assembly*18,*29	
5	B9906KK	1	1	1	1		B9906HJ	1	1	1	1	OPT Terminal Assembly*12,*23	}
	B9906KQ	1	1	1	1	33	B9902BA	1	1	1	1	Cover Assembly	
	B9906LA	1	1	1	1	34	E9655FX	30	30	30	30	B.H.Screw M4x6(±)	}
6	E9655FX	18	18	18	18	35	B9902DT	1	1	1	1	Nameplate*18,*29	
	B9906KB	1	1	1	1		B9906LK	1	1	1	1	Nameplate*12,*23	}
7	B9906KH	1	1	1	1	36	Y9306LS	1	1	1	1	B.H.Screw, M3x6	
	B9931ND	1	1	1	1	37	Y9316LS	1	1	1	1	B.H.Screw, M3x16	}
	B9931NN	1	1	1	1	38	B9906HL	1	1	1	1	OPT Terminal Assembly*12,*23	
8	B9906KL	1	1	1	1	39	B9902BA	1	1	1	1	Cover Assembly	}
	B9906LB	1	1	1	1	40	E9655FX	30	30	30	30	B.H.Screw, M4x6(±)	
9	B9902BL	18	18	18	18	41	B9906LM	1	1	1	1	Nameplate*12,*23	}
10	B9906KC	1	1	1	1	42	Y9306LS	1	1	1	1	B.H.Screw M3x6	
	B9906KJ	1	1	1	1	43	Y9316LS	1	1	1	1	B.H.Screw M3x16	}
	B9931NG	1	1	1	1	44	B9901JE	1	1	1	1	Name Plate	
	B9931NR	1	1	1	1	45	B9906KR	1	1	1	1	Name Plate	}
11	B9906KM	1	1	1	1	46	B9906KS	1	1	1	1	Name Plate	
	B9906LC	1	1	1	1	47	B9906KT	1	1	1	1	Name Plate	
12	E9655FX	18	18	18	18								
13	Y9304LB	2	4	6	8								
14	B9900VW	1	1	1	1								
	B9900VX	1	1	1	1								
15	B9900EQ	1	1	1	1								
16	E9655EX	3	3	3	3								
17	B9900ES	1	1	1	1								
	B9902FD	1	1	1	1								
18	Y9306LS	1	1	1	1								
19	Y9310LB	1	1	1	1								
20	B9902PC	1	1	1	1								
	B9902PD	1	1	1	1								
	B9902PE	1	1	1	1								
	B9902PE	1	1	1	1								
	B9902PF	1	1	1	1								
	B9902PG	1	1	1	1								
	B9902PH	1	1	1	1								
	B9902PJ	1	1	1	1								
	B9902PK	1	1	1	1								
	B9902PL	1	1	1	1								
	B9902PM	1	1	1	1								
	B9902PM	1	1	1	1								
	B9902PN	1	1	1	1								
	B9902PP	1	1	1	1								
	B9902PQ	1	1	1	1								
	B9902PR	1	1	1	1								
21	B9902BA	1	1	1	1								
22	E9655FX	30	30	30	30								
23	B9902DC	1	1	1	1								
	B9902DD	1	1	1	1								
	B9902DE	1	1	1	1								
	B9902DF	1	1	1	1								
	B9902DG	1	1	1	1								
	B9902DH	1	1	1	1								
	B9902DJ	1	1	1	1								
	B9902DK	1	1	1	1								
	B9902DL	1	1	1	1								
	B9902DM	1	1	1	1								
	B9902DN	1	1	1	1								
	B9902DP	1	1	1	1								
	B9902DQ	1	1	1	1								
	B9902DR	1	1	1	1								
24	Y9306LS	1	1	1	1								

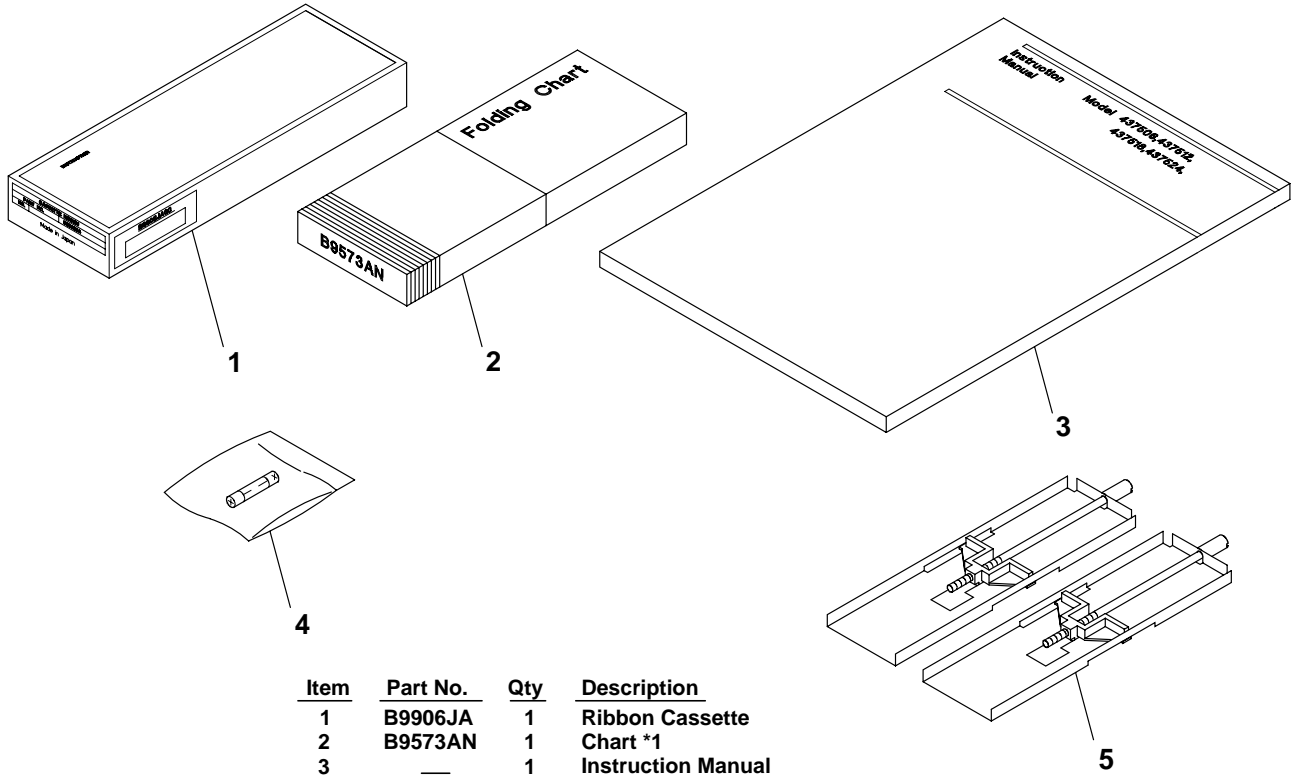
Note:
*1 to *29 see page 14

Input Type	Range Code	Measuring Range			
DC	00	-20.00 to 20.00mV	*1		
	01	-200.00 to 200.00mV			
	02	-2.000 to 2.000V			
	03	-6.000 to 6.000V			
	04	-20.00 to 20.00V			
DC (linear scaling)	30	-20.00 to 20.00mV	*1		
	31	-200.00 to 200.00mV			
	32	-2.000 to 2.000V			
	33	-6.000 to 6.000V			
	34	-20.00 to 20.00V			
DC (linear root scaling)	40	-20.00 to 20.00mV	*1		
	41	-200.00 to 200.00mV			
	42	-2.000 to 2.000V			
	43	-6.000 to 6.000V			
	44	-20.00 to 20.00V			
TC	10	Type R 0 to 1760°C	*2		
	11	Type S 0 to 1760°C			
	12	Type B 0 to 1820°C			
	13	Type K -200 to 1370°C			
	14	Type E -200 to 800°C			
	15	Type J -200 to 1100°C			
	16	Type T -200 to 400°C			
	17	Type N 0 to 1300°C			
	18	Type W 0 to 2315°C			
	19	Type L -200 to 900°C			
	1A	Type U -200 to 400°C			
	1B	PR40-20 0 to 1900°C			
	1C	PLATINEL 0 to 1400°C			
RTD	20	JPt100 -200 to 550°C	*3a		
	21	Pt100 -200 to 600°C			
	22	JPt50 -200 to 600°C			
	23	Cu10(GE) Cu10(L&N) Cu10(WEED) Cu10(BAILEY) Cu10(α = 0.00392 @ 20°C) Cu10(α = 0.00393 @ 20°C) Cu25	*3		
	24				
	25				
	26				
	27				
	28				
	29				
	23	-200 to 300°C	*3b		
	24				
	25				
Multi-range dot printing recorder	62	Two measuring range for DCV	*4		
	63	Three measuring range for DCV			
	64	Four measuring range for DCV			
		72	Two measuring range for DCV or TC	*5	
		73	Three measuring range for DCV or TC		
		74	Four measuring range for DCV or TC		
		82	Two measuring range for DCV,TC, or RTD	*6a	
		83	Three measuring range for DCV,TC, or RTD		
		84	Four measuring range for DCV,TC, or RTD		(with out Cu10,25)
					(Cu10,25)
	92	Two measuring range for DCV,TC, or RTD	*6b		
	93	Three measuring range for DCV,TC, or RTD			
	94	Four measuring range for DCV,TC, or RTD		(Cu10,25)	

Note; JPt100 JIS C1604-1981, JIS C1606-1989
Pt100 JIS C1604-1989, JIS C1606-1989 DIN IEC751, IEC751

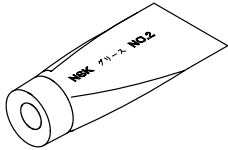
Model Code	Suffix Code(options)				
06 437512□□□□ 18 24	/A1		/C3	/H2	*7
	/A2		/C3		*8
	/A3		/C3		*9
	/A4		/C3		*10
	/A5		/C3		*11
			/C3		*12
		/F1	/C3		*13
	/A1	/F1	/C3		*14
	/A2	/F1	/C3		*15
	/A3	/F1	/C3		*16
	/A4	/F1	/C3		*17
	/A1	/R1	/C3		*18
	/A2	/R1	/C3		*19
	/A3	/R1	/C3		*20
	/A4	/R1	/C3		*21
	/A5	/R1	/C3		*22
		/R1	/C3		*23
		/F1	/R1	/C3	*24
	/A1	/F1	/R1	/C3	*25
	/A2	/F1	/R1	/C3	*26
	/A3	/F1	/R1	/C3	*27
	/A4	/F1	/R1	/C3	*28
		/F1	/R1	/C3	*29

Standard Accessories

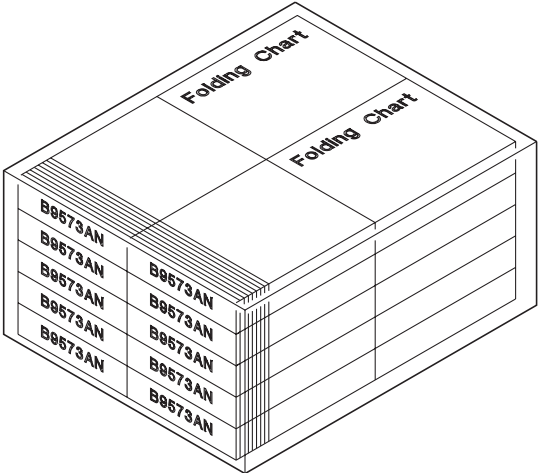


Item	Part No.	Qty	Description
1	B9906JA	1	Ribbon Cassette
2	B9573AN	1	Chart *1
3	—	1	Instruction Manual
4	A1512EF	1	Fuse
	A1513EF	1	Fuse(/P1) } (select)
5	B9900CW	2	Bracket Assembly

SPARES



Part NO.	Description
B9901AZ	Grease



Note *1 Part number: B9573AN
Minimum order quantity 10 units
(1 chart/unit)