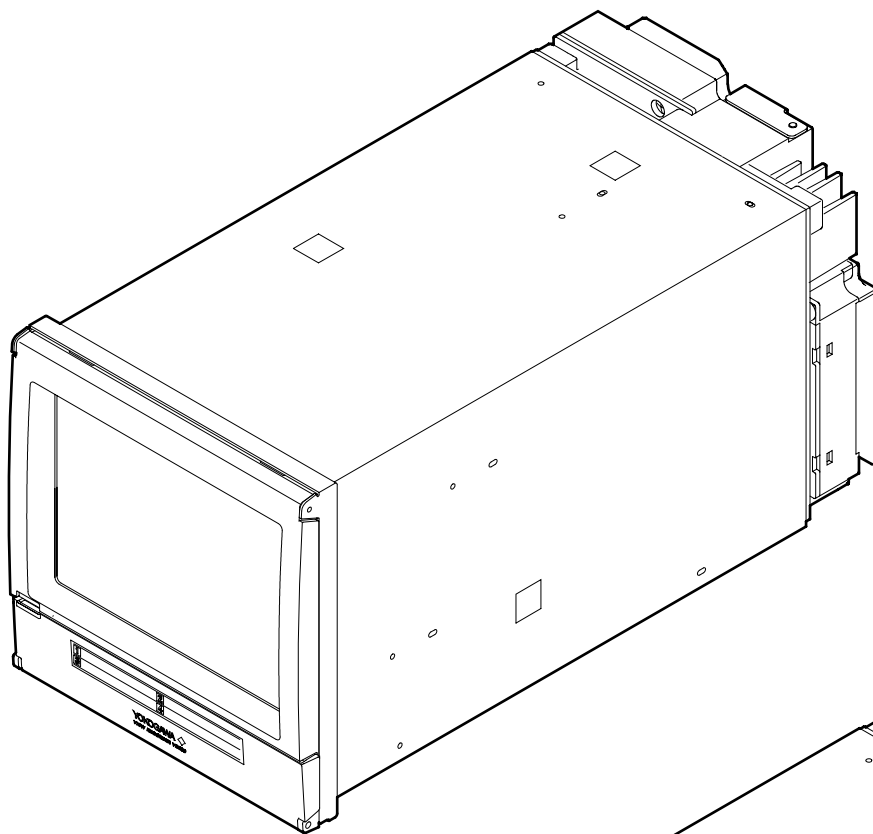
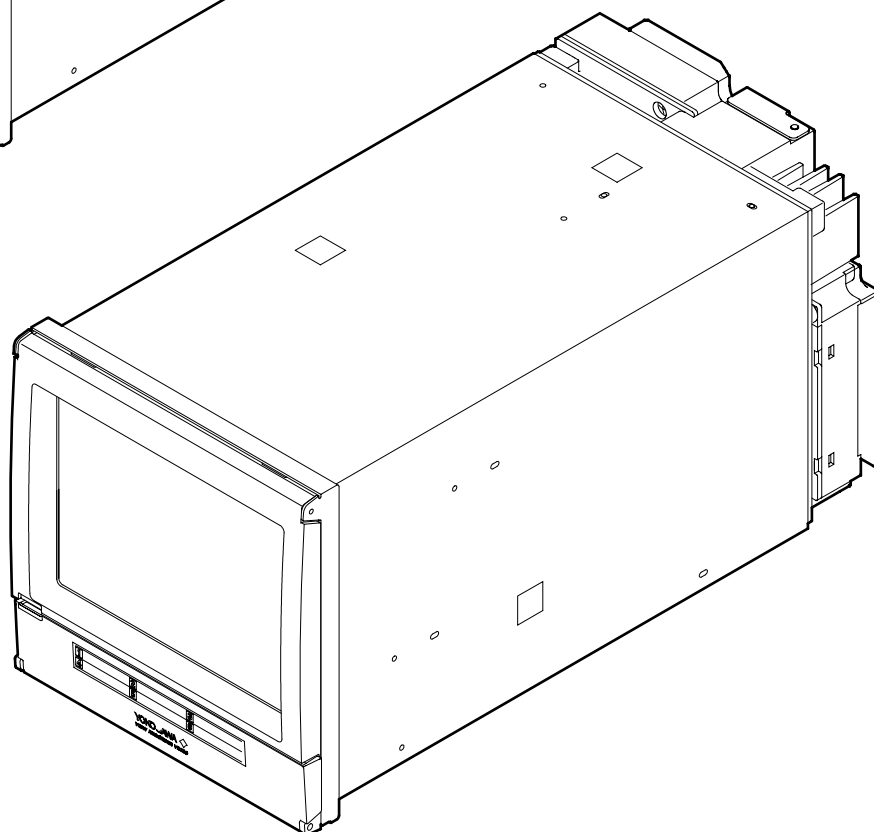


Customer Maintenance Parts List

Model VR202
View Recorder Wide-View Model VR200 (2ch)
Model VR204
View Recorder Wide-View Model VR200 (4ch)
Model VR206
View Recorder Wide-View Model VR200 (6ch)

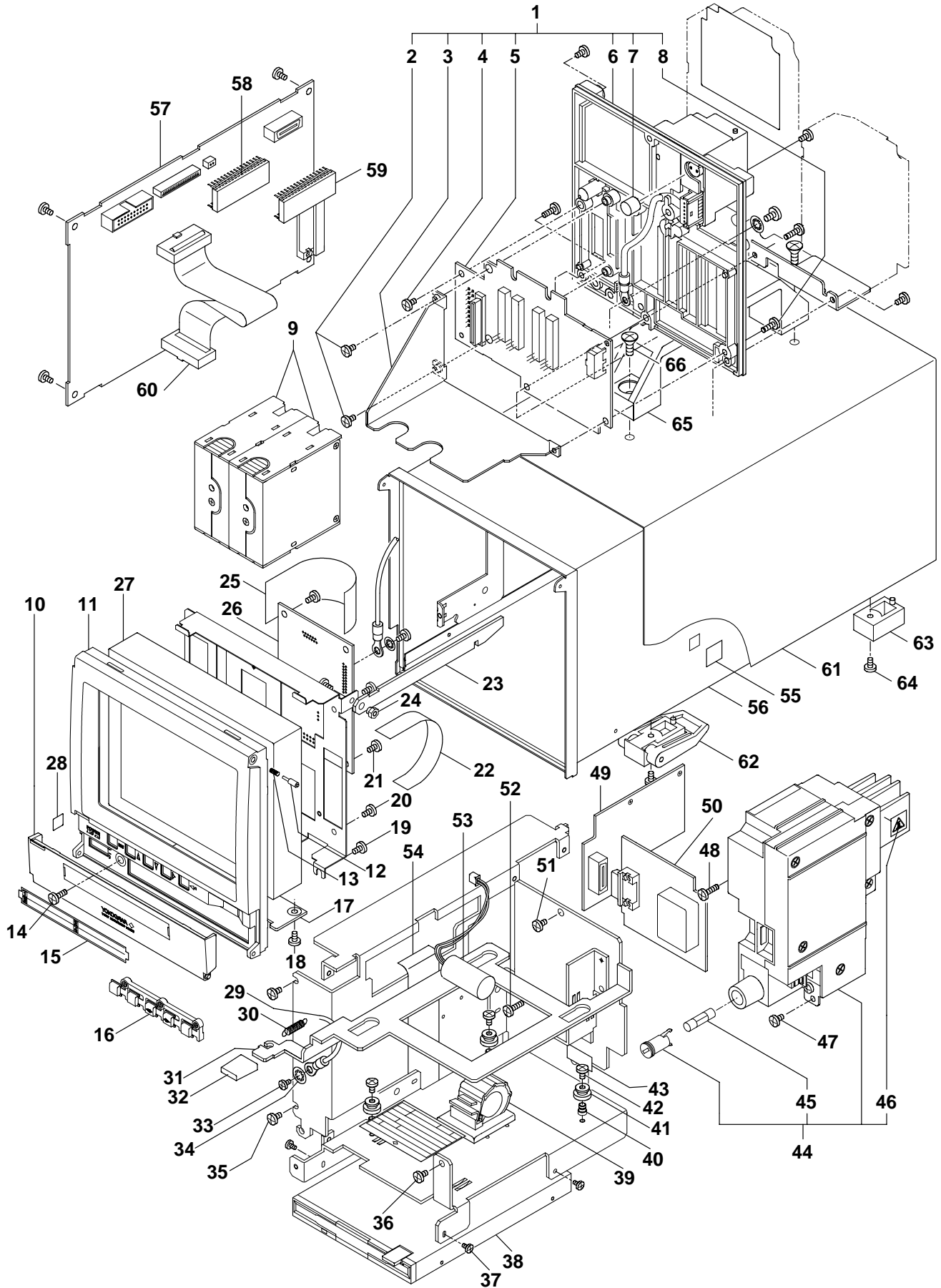


Model VR204



Model VR206

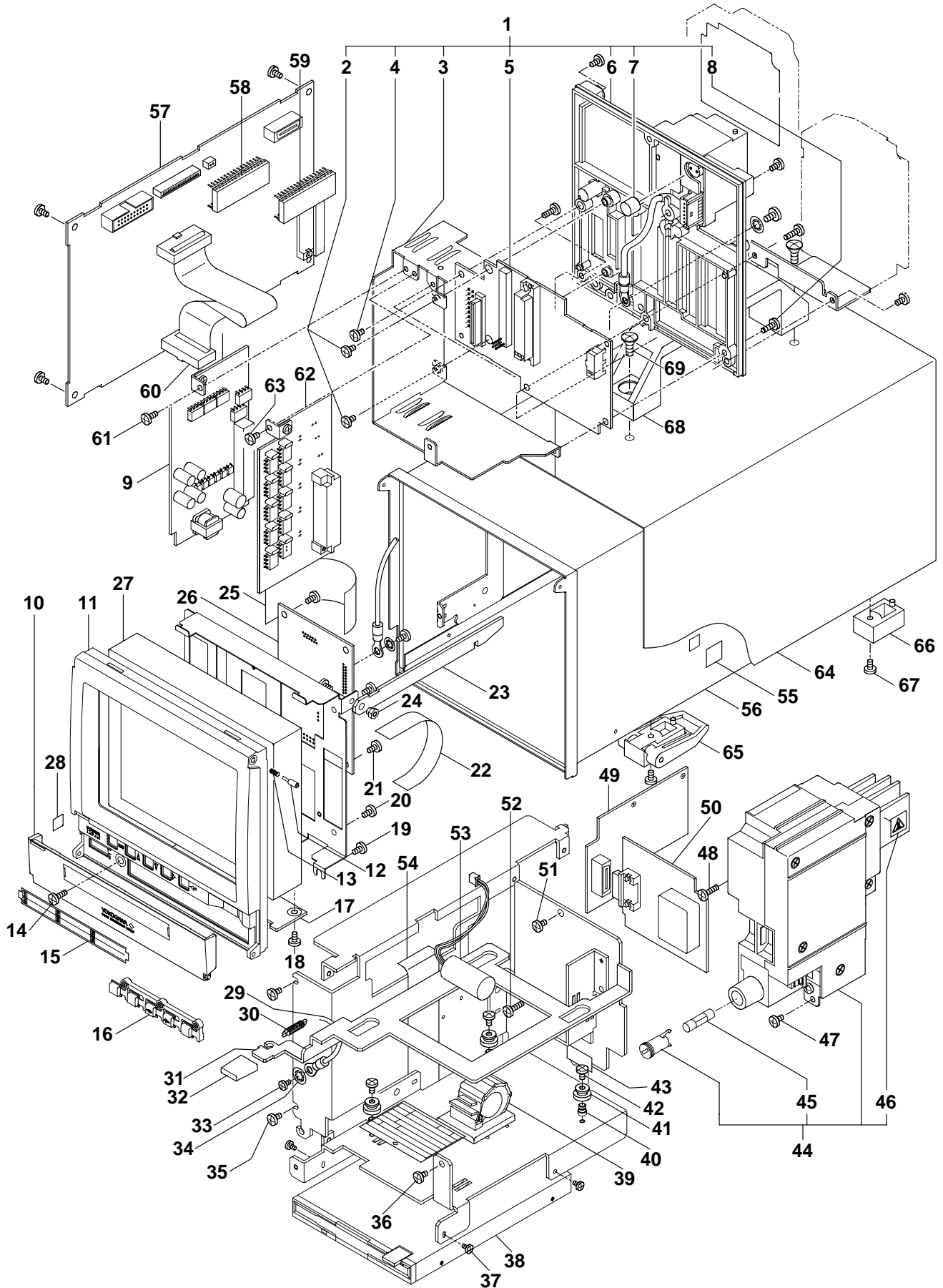
VR202,VR 204 Assembly



VR202,VR204 Assembly

Item	Part No.	Qty	Description	Item	Part No.	Qty	Description
1	-	1	Panel Assembly	53	B9905WD	1	Battery Assembly
2	Y9308LB	2	B.H.Screw,M3x8	54	B9960EM	1	FDD FFC
3	B9900EF	1	Bracket	55	B9900CR	5	Sheet
4	Y9304LB	1	B.H.Screw,M3x4	56	B9960MA	1	Case Assembly
5	B9960ER	1	Mother Board Assembly	57	B9960HL	1	CPU Assembly (not/N1) } (select)
6	B9900EC	1	Panel Assembly		B9960HM	1	CPU Assembly (/N1)
7	A1450EF	1	Fuse (/P1)	58	B9960KL	1	Main ROM Assembly
8	Y9306LS	1	B.H.Screw,M3x6	59	B9960JB	1	ROM Assembly (not/N1) } (select)
9	B9900RW	2	A/D Assembly (VR204)		B9960JC	1	ROM Assembly (/N1)
	B9900RW	1	A/D Assembly (VR202)	60	B9960EP	1	Cable Assembly
	B9902TC	2	A/D Assembly (VR204)/(N1) } (select)	61	B9960LL	1	Case Assembly (/H5)
	B9902TC	1	A/D Assembly (VR202)/(N1)	62	B9961BR	2	Front Foot (/H5)
10	B9960MJ	1	Door	63	B9961BS	2	Rear Foot (/H5)
11	B9960MG	1	Front Bezel	64	Y9306LS	4	B.H.Screw,M3x6 (/H5)
12	B9960BT	1	Shaft	65	B9961BQ	1	Handle (/H5)
13	B9567AQ	1	Spring	66	Y9412ES	2	F.H.Screw,M4x12 (/H5)
14	Y9312LE	1	B.H.Screw,M3x12				
15	B9960AD	1	Tag Plate (VR204) } (select)				
	B9960AC	1	Tag Plate (VR202)				
16	B9960ML	1	Key Top				
17	B9960EC	1	Key Board Assembly				
18	Y9304LB	2	B.H.Screw,M3x4				
19	B9900TX	2	Screw				
20	Y9304LB	2	B.H.Screw,M3x4				
21	Y9304LB	3	B.H.Screw,M3x4				
22	B9960EL	1	Key FFC				
23	B9960MQ	1	Plate				
24	B9960MR	1	Stud				
25	B9960EK	1	LCD FFC				
26	B9960ES	1	Conn Board Assembly				
27	B9960MS	1	LCD				
28	B9900HY	1	Name Plate				
29	B9960LQ	1	Earth Wire Assembly				
30	B9900FH	1	Spring				
31	B9960MW	1	SW Lever				
32	B9960CU	1	Knob				
33	Y9304LB	1	B.H.Screw,M3x4				
34	Y9301WL	1	Washer Tooth				
35	Y9304LB	2	B.H.Screw,M3x4				
36	Y9304LB	1	B.H.Screw,M3x4				
37	Y9204LS	3	B.H.Screw,M2.3x4				
38	A1092UN	1	Memory System				
39	B9905RW	1	Clamp				
40	B9960MX	3	Stud				
41	B9905CF	3	Roller				
42	Y9308LS	3	B.H.Screw,M3x8				
43	B9900TF	1	Name Plate } (select)				
	B9900TG	1	Name Plate (/P1)				
44	B9900VG	1	Power Assembly (not/P1) } (select)				
	B9900VR	1	Power Assembly (/P1)				
45	A1512EF	1	Fuse (Accessory) } (select)				
	A1513EF	1	Fuse (/P1)(Accessory)				
46	A9678ZJ	1	Name Plate				
47	Y9306LB	1	B.H.Screw,M3x6				
48	Y9310LB	1	B.H.Screw,M3x10				
49	B9960ET	1	Option Conn Board Assembly (/C3)				
50	B9960EF	1	RS-422 Board Assembly (/C3)				
51	Y9304LB	1	B.H.Screw,M3x4				
52	Y9310LB	2	B.H.Screw,M3x10				

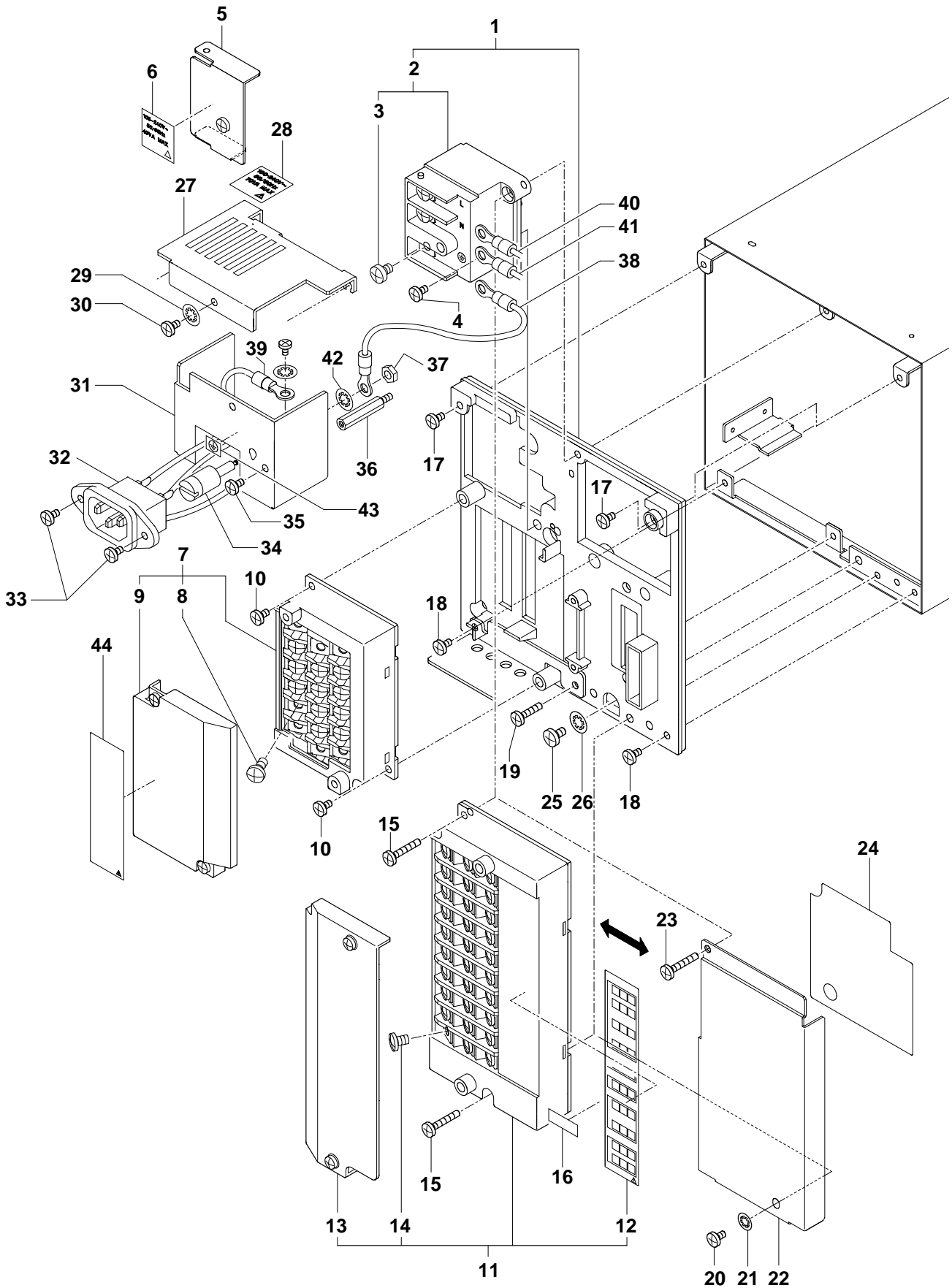
VR206 Assembly



VR206 Assembly

Item	Part No.	Qty	Description	Item	Part No.	Qty	Description
1	-	1	Panel Assembly	53	B9905WD	1	Battery Assembly
2	Y9308LB	2	B.H.Screw,M3x8	54	B9960EM	1	FDD FFC
3	B9900EC	1	Bracket	55	B9900CR	5	Sheet
4	Y9304LB	1	B.H.Screw,M3x4	56	B9960MA	1	Case Assembly
5	B9960PH	1	Mother Board Assembly	57	B9960TL	1	CPU Assembly (not/N1)
6	B9900EC	1	Panel Assembly		B9960TM	1	CPU Assembly (/N1)
7	A1450EF	1	Fuse (/P1)	58	B9960UA	1	Main ROM Assembly
8	Y9306LS	1	B.H.Screw,M3x6	59	B9960SB	1	ROM Assembly (not/N1)
9	B9901SH	1	A/D Board Assembly (not/N1)		B9960SC	1	ROM Assembly (/N1)
	B9902SA	1	A/D Board Assembly (/N1)	60	B9960EP	1	Cable Assembly
10	B9960MJ	1	Door	61	Y9304LB	1	B.H.Screw,M3x4
11	B9960MG	1	Front Bezel	62	B9901SK	1	Scanner Board Assembly
12	B9960BT	1	Shaft	63	Y9304LB	1	B.H.Screw,M3x4
13	B9567AQ	1	Spring	64	B9960LL	1	Case Assembly (/H5)
14	Y9312LE	1	B.H.Screw,M3x12	65	B9961BR	2	Front Foot (/H5)
15	B9960NA	1	Tag Plate	66	B9961BS	2	Rear Foot (/H5)
16	B9960ML	1	Key Top	67	Y9306LS	4	B.H.Screw,M3x6 (/H5)
17	B9960EC	1	Key Board Assembly	68	B9961BQ	1	Handle (/H5)
18	Y9304LB	2	B.H.Screw,M3x4	69	Y9412ES	2	B.H.Screw,M4x12 (/H5)
19	B9900TX	2	Screw				
20	Y9304LB	2	B.H.Screw,M3x4				
21	Y9304LB	3	B.H.Screw,M3x4				
22	B9960EL	1	Key FFC				
23	B9960MQ	1	Plate				
24	B9960MR	1	Stud				
25	B9960EK	1	LCD FFC				
26	B9960ES	1	Conn Board Assembly				
27	B9960MS	1	LCD				
28	B9900HY	1	Name Plate				
29	B9960LQ	1	Earth Wire Assembly				
30	B9900FH	1	Spring				
31	B9960MW	1	SW Lever				
32	B9960CE	1	Knob				
33	Y9304LB	1	B.H.Screw,M3x4				
34	Y9301WL	1	Washer Tooth				
35	Y9304LB	2	B.H.Screw,M3x4				
36	Y9304LB	1	B.H.Screw,M3x4				
37	Y9204LS	3	B.H.Screw,M2.3x4				
38	A1092UN	1	Memory System				
39	B9905RW	1	Clamp				
40	B9960MX	3	Stud				
41	B9905CF	3	Roller				
42	Y9308LS	3	B.H.Screw,M3x8				
43	B9902TF	1	Name Plate				
	B9902TG	1	Name Plate (/P1)				
44	B9900VG	1	Power Assembly (not/P1)				
	B9900VR	1	Power Assembly (/P1)				
45	A1512EF	1	Fuse (Accessory)				
	A1513EF	1	Fuse (/P1)(Accessory)				
46	A9678ZJ	1	Name Plate				
47	Y9306LB	1	B.H.Screw,M3x6				
48	Y9310LB	1	B.H.Screw,M3x10				
49	B9960ET	1	Option Conn Board Assembly (/C3)				
50	B9960EF	1	RS-422 Board Assembly (/C3)				
51	Y9304LB	1	B.H.Screw,M3x4				
52	Y9310LB	2	B.H.Screw,M3x10				

Terminal Assembly



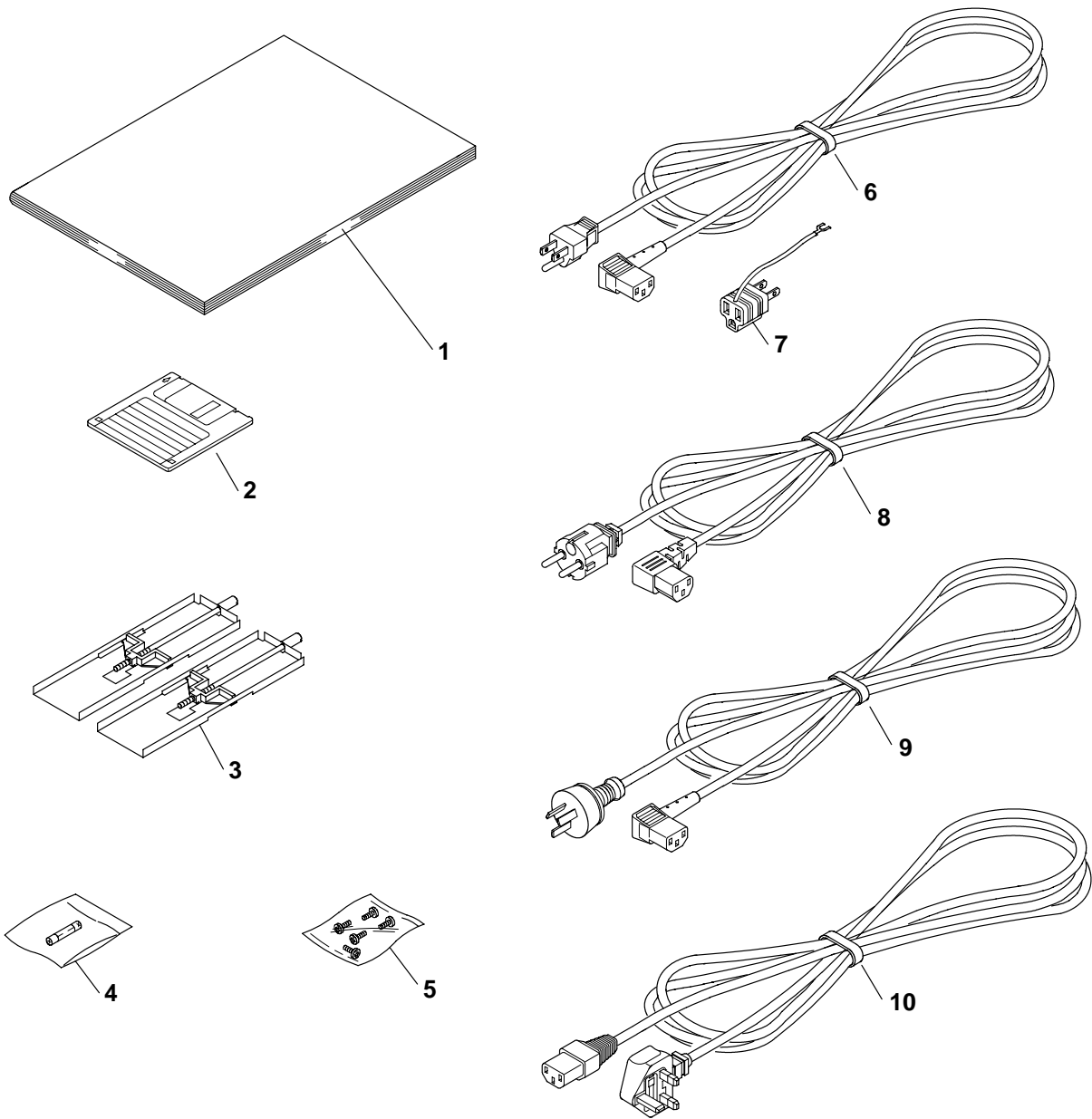
Item	Part No.	Qty	Description
1	-	1	Panel Assembly
2	B9900VW	1	Terminal Assembly
	B9900VX	1	Terminal Assembly (/P1) } (select)
3	E9655FX	3	B.H.Screw,M4x6(±)
4	Y9306LS	1	B.H.Screw,M3x6
5	B9900EQ	1	Cover Assembly
6	B9900ES	1	Name Plate
	B9902FD	1	Name Plate (/P1) } (select)
7	B9900SD	1	Input Terminal Assembly (VR204)
	B9901JA	1	Input Terminal Assembly (VR206) } (select) } (select)
	B9901JM	1	Input Terminal Assembly (/H2)(VR206)
8	E9655FX	12	B.H.Screw,M4x6(±)
9	B9900XQ	1	Cover Assembly (VR204)
	B9901BT	1	Cover Assembly (VR206) } (select) } (select)
	B9901JP	1	Cover Assembly (VR206-/H2)
10	Y9306LS	2	B.H.Screw,M3x6
11	B9902PC	1	OPT Terminal Assembly *1
	B9902PD	1	OPT Terminal Assembly *2
	B9902PE	1	OPT Terminal Assembly *3
	B9902PF	1	OPT Terminal Assembly *4
	B9960DJ	1	OPT Terminal Assembly *5
	B9960DK	1	OPT Terminal Assembly *6
	B9960DL	1	OPT Terminal Assembly *7
	B9902PK	1	OPT Terminal Assembly *8
	B9902PL	1	OPT Terminal Assembly *9
	B9902PM	1	OPT Terminal Assembly *10
	B9902PN	1	OPT Terminal Assembly *11
	B9960DM	1	OPT Terminal Assembly *12
	B9960DN	1	OPT Terminal Assembly *13
	B9960DP	1	OPT Terminal Assembly *14
12	B9902DC	1	Name Plate *1
	B9902DD	1	Name Plate *2
	B9902DE	1	Name Plate *3
	B9902DF	1	Name Plate *4
	B9902DG	1	Name Plate *5
	B9902DH	1	Name Plate *6
	B9902DJ	1	Name Plate *7
	B9902DK	1	Name Plate *8
	B9902DL	1	Name Plate *9
	B9902DM	1	Name Plate *10
	B9902DN	1	Name Plate *11
	B9902DP	1	Name Plate *12
	B9902DQ	1	Name Plate *13
	B9902DR	1	Name Plate *14
13	B9902BA	1	Cover Assembly
14	E9655FX	30	B.H.Screw,M4x6(±)
15	Y9322JB	2	Pan H.Screw,M3x22
16	B9960CR	1	Name Plate *5,*6,*7,*12,*13,*14
17	Y9304LB	2	B.H.Screw,M3x4
18	Y9308LB	1	B.H.Screw,M3x16
19	Y9316LS	1	B.H.Screw,M3x16
20	Y9308LB	1	B.H.Screw,M3x8 (select)
21	Y9301WL	1	Toothed Lockwasher (select)
22	B9900BQ	1	Bracket (select)
23	Y9322JB	1	Pan H.Screw,M3x22 (select)
24	B9910CQ	1	Plate
25	Y9405LB	1	B.H.Screw,M4x5
26	Y9401WL	1	Toothed Lockwasher
27	B9902LG	1	Bracket (/H5)
28	B9900ES	1	Name Plate (/H5)
29	Y9301WL	1	Toothed Lockwasher (/H5)
30	Y9304LB	1	B.H.Screw,M3x4 (/H5)
31	B9902LH	1	Bracket (/H5)
32	A1017JS	1	Socket & Holder (/H5)
33	Y9306LS	2	B.H.Screw,M3x6 (/H5)

Item	Part No.	Qty	Description
34	A9174ZH	1	Terminal Assembly (/H5)
35	Y9304LB	1	B.H.Screw,M3x4 (/H5)
36	B9902LM	1	Rod (/H5)
37	Y9401CB	1	Nut (/H5)
38	B9902LL	1	Wire Assembly (green)/(H5)
39	B9902LN	1	Wire Assembly (green)/(H5)
40	B9902LK	1	Wire Assembly (black)/(H5)
41	B9902LJ	1	Wire Assembly (white)/(H5)
42	Y9401WL	1	Toothed Lockwasher (/H5)
43	B9529AU	1	Name Plate (/H5)
43	B9900SH	1	Name Plate (VR204) } (select)
	B9901JE	1	Name Plate (VR206) }

Note

Model Code	Suffix Code(options)					
VR20 □□- □ - □□	/A1			/C3	/H2	*1
	/A2			/C3		*2
	/A3			/C3		*3
				/C3		*4
		/F1		/C3		*5
	/A1	/F1		/C3		*6
	/A2	/F1		/C3		*7
	/A1		/R1	/C3		*8
	/A2		/R1	/C3		*9
	/A3		/R1	/C3		*10
			/R1	/C3		*11
		/F1	/R1	/C3		*12
	/A1	/F1	/R1	/C3		*13
	/A2	/F1	/R1	/C3		*14
						*15

Standard Accessories



Item	Part NO.	Qty	Description
1	-	1	Instruction Manual
2	-	1	Software Package (Japanese) (-1) } (select)
	-	1	Software Package (English) (-2) }
3	B9900CW	2	Bracket Assembly
4	A1512EF	1	Fuse(5x20 T800mA) (not/P1) } (select)
	A1513EF	1	Fuse(5x20 T5A) (/P1) }
5	E9655FX	5	B.H.Screw,M4 x 6 (±)
6	A1006WD	1	Power Supply Code(UL,CSA standard) * 1, * 2 } (select)
7	A1253JZ	1	3P-2P Adapter * 1 }
8	A1009WD	1	Power Supply Code(VDE standard) * 3 }
9	A1024WD	1	Power Supply Code(SAA standard) * 5 }
10	A1023WD	1	Power Supply Code(BS standard) * 4 }

Note:

- * 1 VR20□ -/H5M
- * 2 VR20□ -/H5D
- * 3 VR20□ -/H5F
- * 4 VR20□ -/H5J
- * 5 VR20□ -/H5R