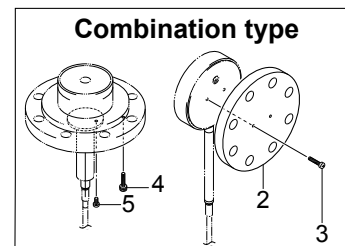
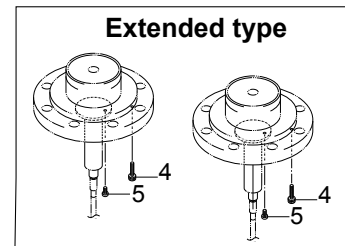
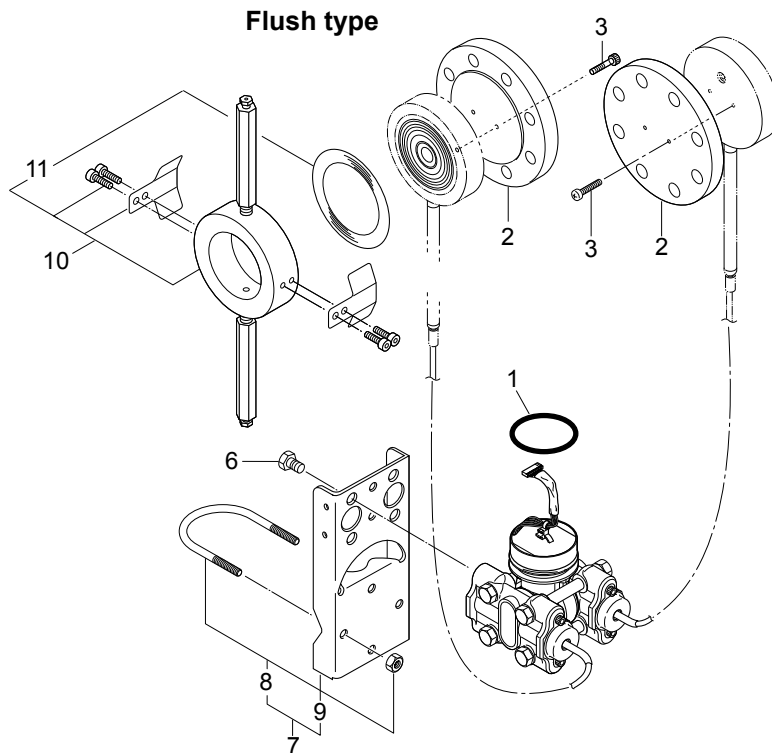


# Customer Maintenance Parts List

EJA118E  
Diaphragm Sealed  
Differential Pressure Transmitter  
(Pressure-detector Section)

DPharp **EJA**<sup>TM</sup>

## Horizontal Impulse Piping Type



Item	Part No.	Qty			Description
		Flush (W)	Extended (E)	Combination (Y)	
1	Below F9900GH F9900GT	1	1	1	O-ring Buna-N For Option code /HE, Fluoro-rubber
2	—	2		1	Flange } See Table 1 Bolt }
3	—	4		2	
4	Below Y9625YU Y9630YU Y9640YU Y9635YU		4	2	Bolt For JIS 10K For JIS 20K, ANSI Class 150 and JPI Class 150 For ANSI Class 300 and JPI Class 300 (for Flange Size 100 mm, 4 inch) For ANSI Class 300 and JPI Class 300 (for Flange Size 80 mm, 3 inch)
5	Y9612HU		8	4	Screw, M16 x 12
6	Below F9273CZ F9900SH	4	4	4	Transmitter mounting bolt SUS XM7 for Mounting bracket code B and D 316 SST for Mounting bracket code J and K
7	Below F9300TA F9900SA	1	1	1	Bracket assembly (Flat type) 304 SST 316 SST
8	Below D0117XL-A F9900SN	1	1	1	U-bolt/nut assembly 304 SST 316 SST
9	Below F9300TE F9900SB	1	1	1	Bracket (Flat type) 304 SST 316 SST
10	—		2		Ring Assembly (see Table 2) (Note 1)
11	—		2		Gasket (see Table 3) (Note 1)

(Note 1) In case of degrease cleansing treatment (Option code /K1, /K2, /K5, or /K6), consult Yokogawa local office.

Table 1. Flange and Bolt Part Number

Flange Rating	Flange Material (Item 2)			Bolt (Item 3)	Applicable Type
	S25C Carbon Steel	304 SST Stainless Steel	316 SST Stainless Steel		
80 mm JIS 10K 80 mm JIS 20K 80 mm JIS 40K 3 inch ANSI Class 150 3 inch ANSI Class 300 3 inch ANSI Class 600 3 inch JPI Class 150 3 inch JPI Class 300 3 inch JPI Class 600	F9351KA F9351KB F9351KC F9351KE F9351KF F9351KG F9351KH F9351KJ F9351KK	F9351GA F9351GB F9351GC F9351GE F9351GF F9351GG F9351GH F9351GJ F9351GK	F9351WD F9351WE F9351WF F9351WK F9351WL F9351WM F9351WR F9351WS F9351WT	Y9525ZU Y9530ZU Y9540ZU Y9530ZU F9347VX Y9545ZU Y9530ZU F9347VX Y9545ZU	Flush (W) and Combination (Y)
50 mm JIS 10K 50 mm JIS 20K 50 mm JIS 40K 2 inch ANSI Class 150 2 inch ANSI Class 300 2 inch ANSI Class 600 2 inch JPI Class 150 2 inch JPI Class 300 2 inch JPI Class 600	F9351KP F9351KQ F9351KR F9351KT F9351KU F9351KV F9351KW F9351KX F9351KY	F9351GP F9351GQ F9351GR F9351GT F9351GU F9351GV F9351GW F9351GX F9351GY	F9351WA F9351WB F9351WC F9351WG F9351WH F9351WJ F9351WN F9351WP F9351WQ	Y9520ZU Y9525ZU Y9530ZU Y9525ZU Y9530ZU F9347VX Y9525ZU Y9530ZU F9347VX	Flush (W)
40 mm JIS 10K 40 mm JIS 20K 40 mm JIS 40K 1 1/2 inch ANSI Class 150 1 1/2 inch ANSI Class 300 1 1/2 inch ANSI Class 600 1 1/2 inch JPI Class 150 1 1/2 inch JPI Class 300 1 1/2 inch JPI Class 600	F9351LC F9351LD F9351LE F9351LG F9351LH F9351LJ F9351LK F9351LL F9351LM	F9351HC F9351HD F9351HE F9351HG F9351HH F9351HJ F9351HK F9351HL F9351HM	F9351UA F9351UB F9351UC F9351UE F9351UF F9351UG F9351UH F9351UJ F9351UK	Y9520ZU Y9525ZU Y9530ZU Y9525ZU Y9525ZU F9347VX Y9525ZU Y9525ZU F9347VX	

Table 2. Ring Assembly Part Number (Note 2)

Flange Size	Standard	Drain/Vent Plug	Gasket Contact Surface	Part Number (Item 12)
3 inch (80mm)	JIS / JPI ANSI ANSI	R1/4 1/4 NPT 1/4 NPT	Flat (no serration) Flat (no serration) Serration	F9970WA F9970WB F9350TV
2 inch (50mm)	JIS / JPI ANSI ANSI	R1/4 1/4 NPT 1/4 NPT	Flat (no serration) Flat (no serration) Serration	F9970WC F9970WD F9350TT
1 1/2 inch (40mm)	JIS / JPI ANSI ANSI	R1/4 1/4 NPT 1/4 NPT	Flat (no serration) Flat (no serration) Serration	F9970WE F9970WG F9970WF

(Note 2) It consists of a ring, vents, holders, screws, and a gasket.

Table 3. Gaske Part Numbert

Gasket Size	Description	Part Number (Item 13)
ø100 × ø120 × t 4.5	For Flange size 3 inch (80mm) For Flange size 3 inch (80mm) , degreased	F9350SV F9970XF
ø70 × ø90 × t 4.5	For Flange size 2 inch (50mm) For Flange size 2 inch (50mm) , degreased	F9350ST F9970XD
ø60 × ø75 × t 4.5	For Flange size 1 1/2 inch (40mm) For Flange size 1 1/2 inch (40mm) , degreased	F9346ZH F9970XB