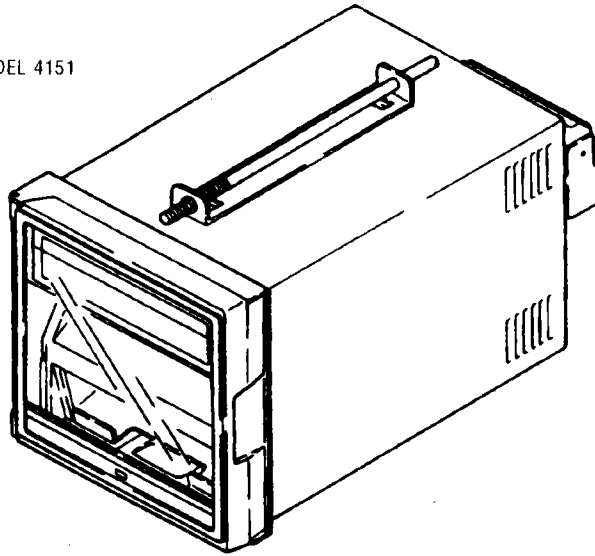
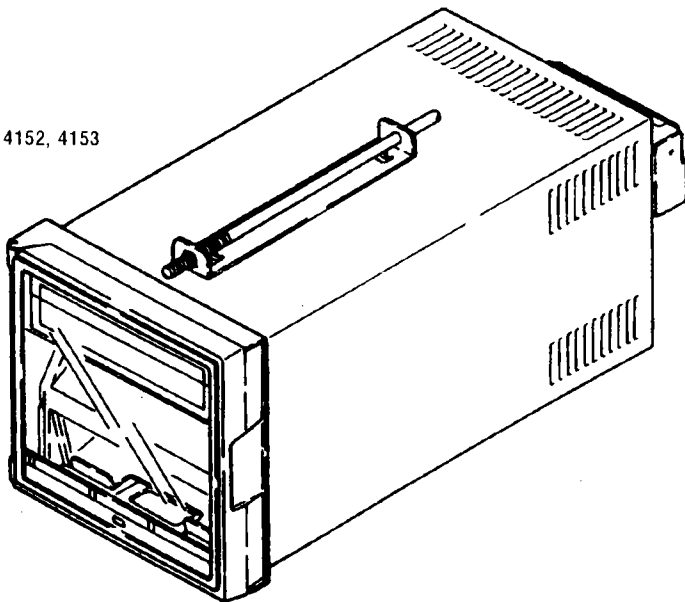


MODEL 4151, 4152 AND 4153 100MM MICRO RECORDER

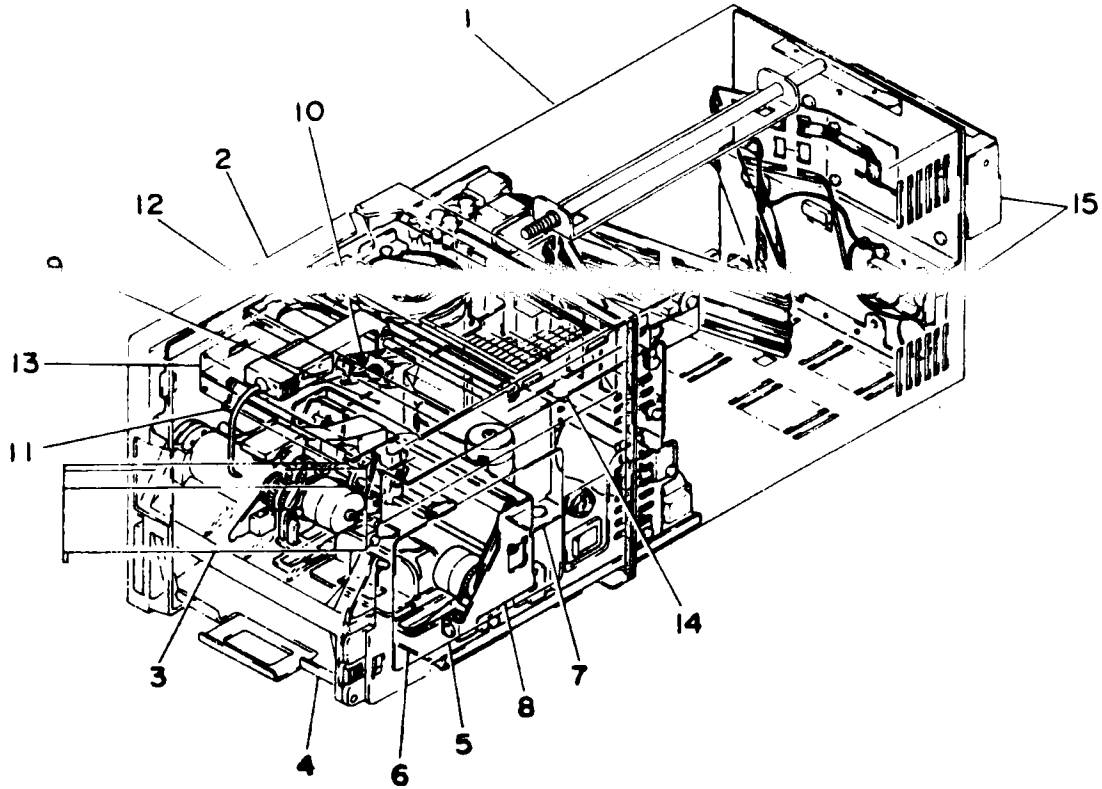
MODEL 4151



MODEL 4152, 4153

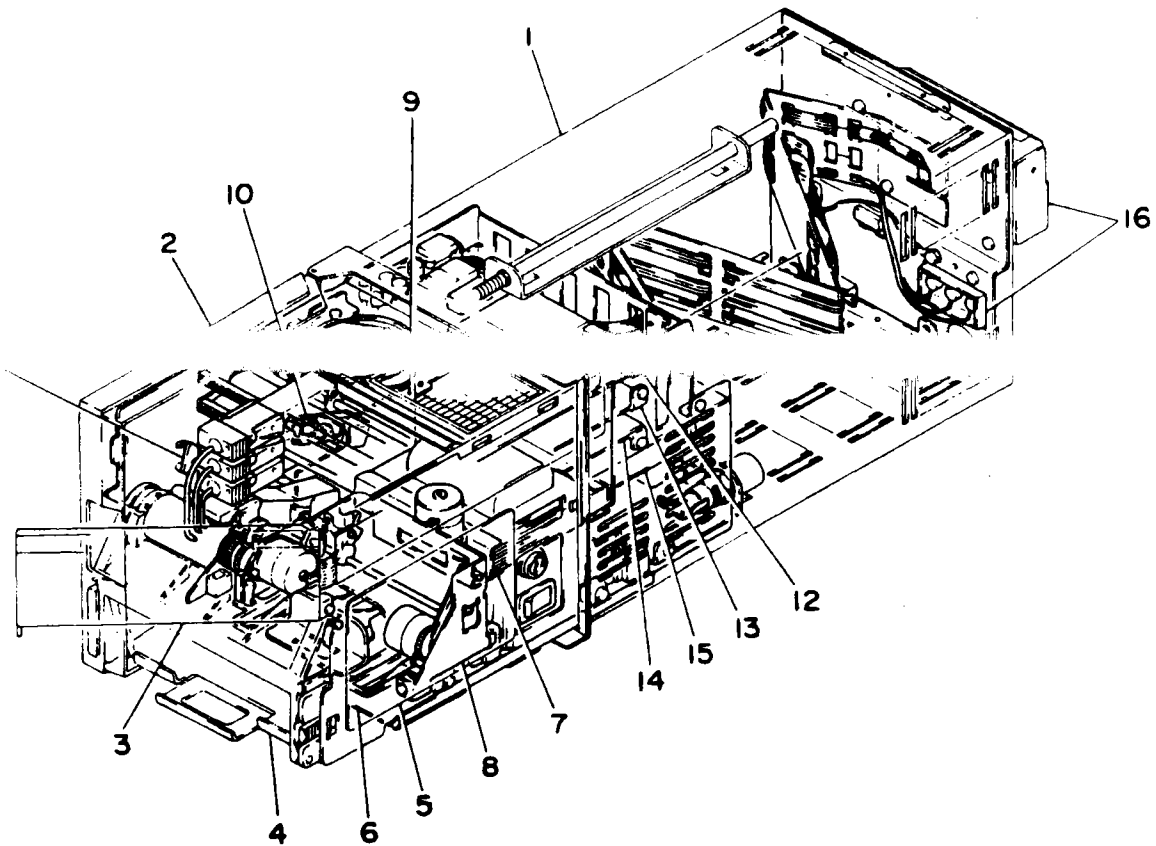


MODEL 4151 COMPLETE SET



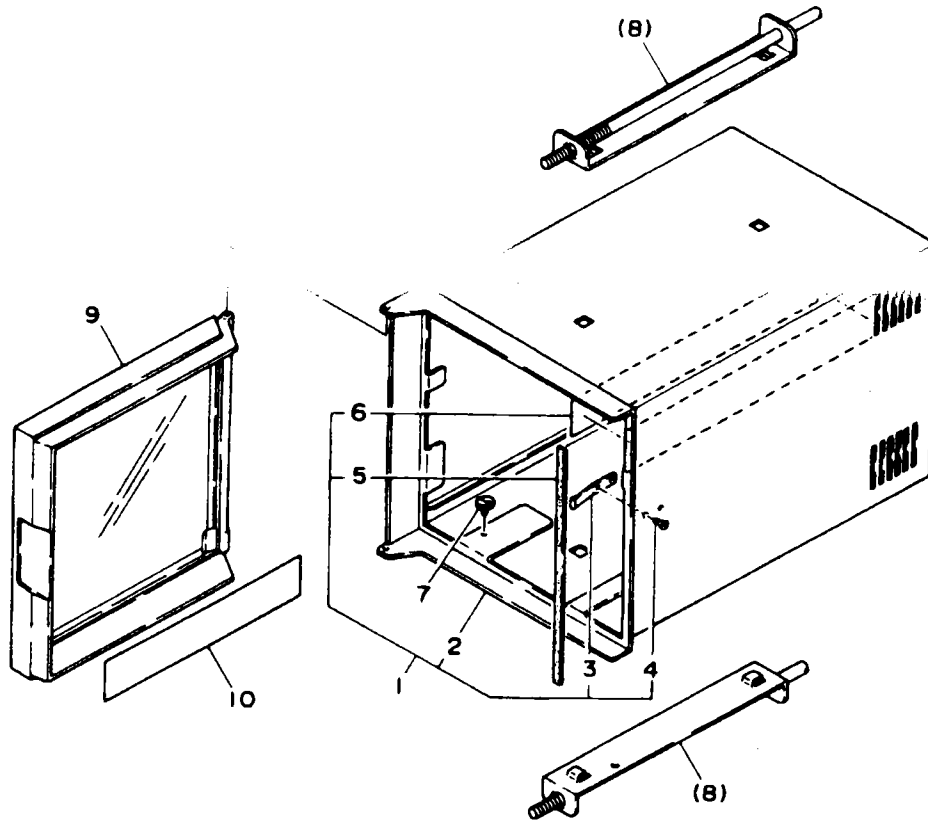
Item	Description
1	Case Assembly
2	Door Assembly
3	Display Assembly
4	Chart Cassette Assembly
5	Keyboard Assembly
6	Chassis Assembly
7	Transformer Assembly
8	Plotter Assembly
9	Plotter Board Assembly
10	Solenoid Assembly
11	Lever
12	Servo Assembly
13	Cover
14	CPU Board Assembly
15	Terminal Assembly
	Portable Type
	Standard Accessory

MODEL 4152 AND 4153 COMPLETE SET



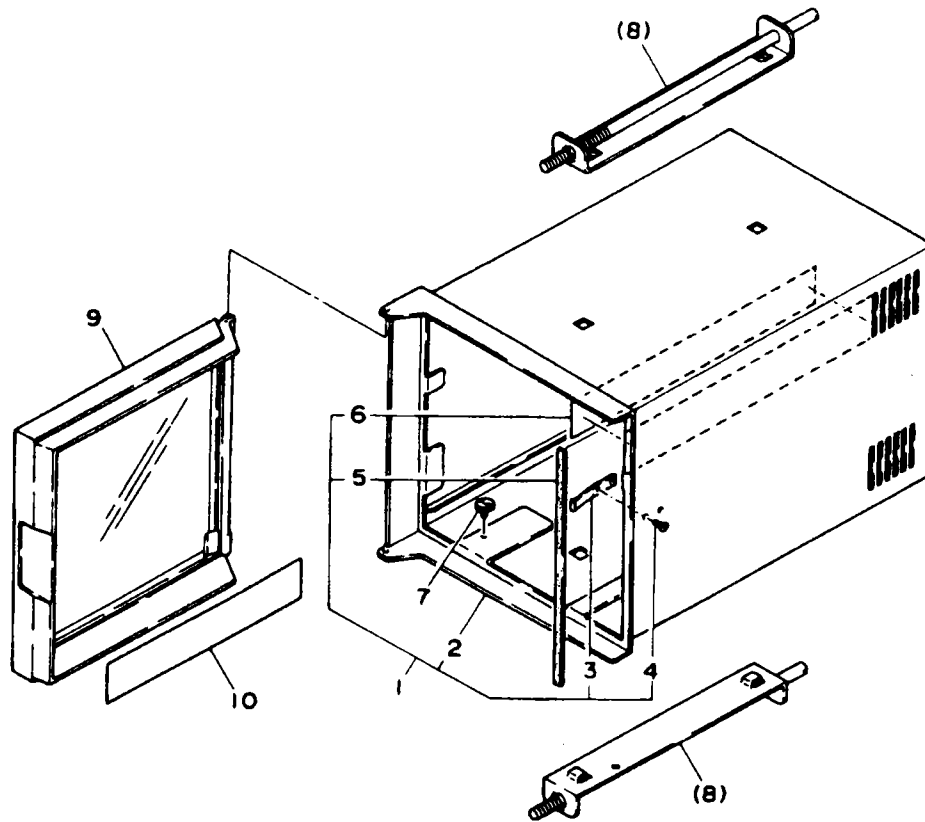
Item	Description
1	Case Assembly
2	Door Assembly
3	Display Assembly
4	Chart Cassette Assembly
5	Keyboard Assembly
6	Chassis Assembly
7	Transformer Assembly
8	Plotter Assembly
9	Plotter Board Assembly
10	Solenoid Assembly
11	Lever
12	Servo Assembly (for 1st pen)
13	Servo Assembly (for 2nd pen)
14	Servo Assembly (for 3rd pen)
15	Main PCB Assembly
16	Terminal Assembly
	Portable Type
	Standard Accessory

MODEL 4151 CASE AND DOOR ASSEMBLIES



Item	Part No.	Qty	Description
1	B9567AA	1	Case Assembly
2	B9565CE	1	Case Assembly
3	B9565CD	1	Spring
4	B9565CW	2	Screw
5	B9565CB	1	Gasket
6	B9565CQ	1	Tape (length: 160mm)
7	B9565AJ	1	Screw (for internal mechanism stopper)
(8)	B9565CR	2	Bracket Assembly
9	B9567AF	1	Door Assembly
10	B9565BW	1	Nameplate

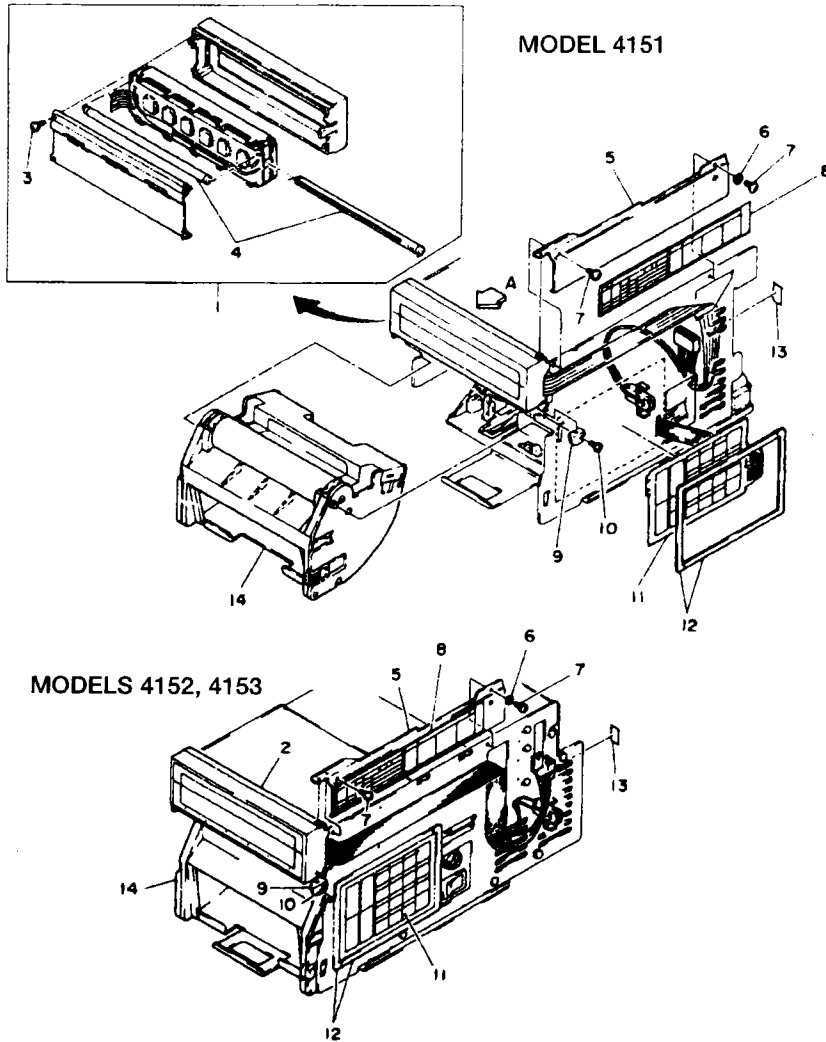
MODEL 4152 AND 4153 CASE AND DOOR ASSEMBLIES



Item	Part No.	Qty	Description
1	B9567AD	1	Case Assembly
2	B9565CM	1	Case Assembly
3	B9565CD	1	Spring
4	B9565CW	2	Screw
5	B9565CB	1	Gasket
6	B9565CQ	1	Tape (length: 192mm)
7	B9565AJ	1	Screw (for internal mechanism stopper)
(8)	B9565CR	2	Bracket Assembly
9	B9567AF	1	Door Assembly
10	B9565BX	1	Nameplate (for Model 4152)
	B9565BY	1	Nameplate (for Model 4153)

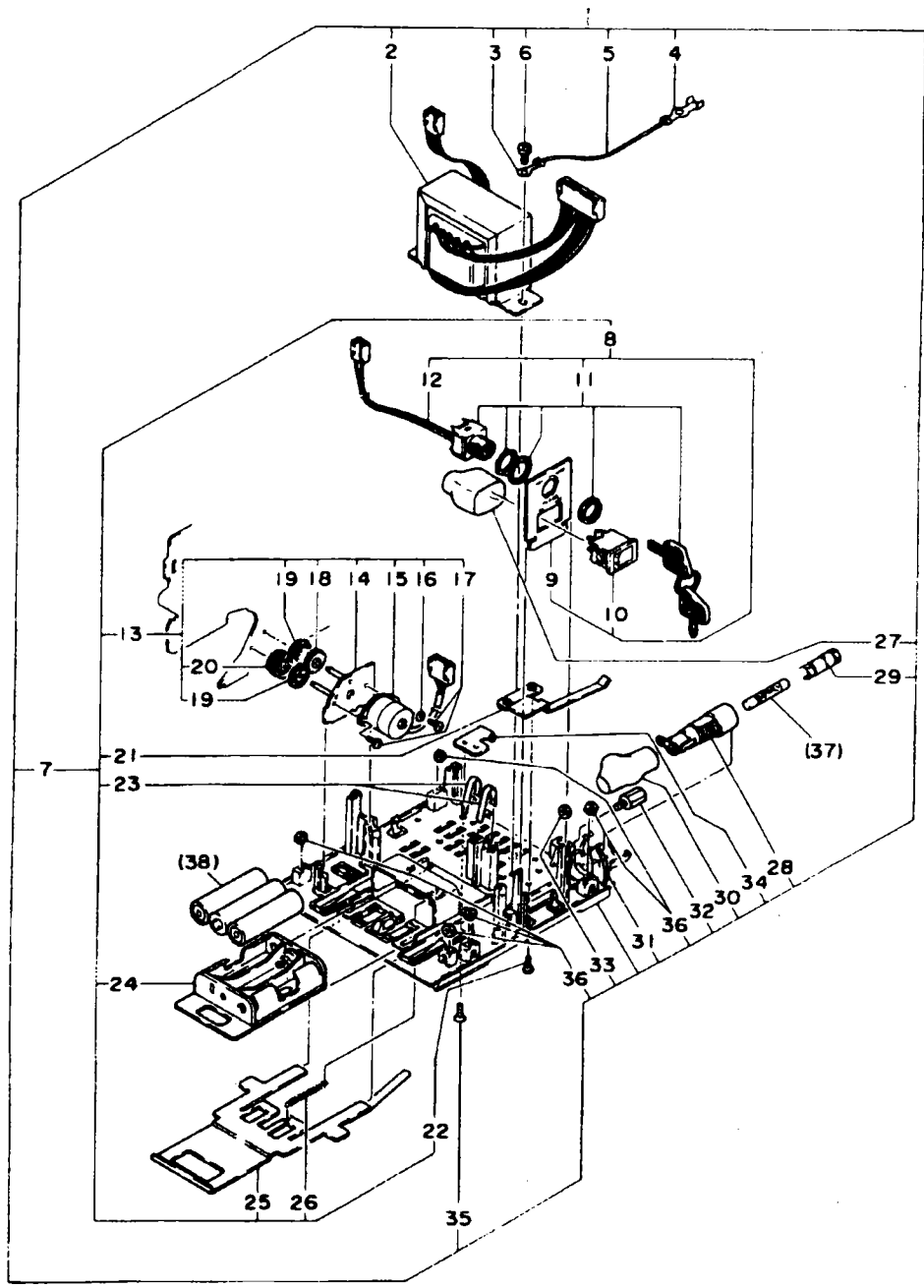
MODEL 4151, 4142 AND 4153 CHART CASSETTE AND DISPLAY ASSEMBLIES

VIEWED FROM A



Item	Part No.	Qty	Description	Item	Part No.	Qty	Description
1	B9565LA	1	Display Assembly (For Model 4151)	9	G9565GH	1	Bracket
2	B9565LC	1	Display Assembly (For Models 4152 and 4153)	10	Y9203KE	1	Button Head Screw, M2.3 x 3
3	B9567AZ		Tapping Screw	11	B9565GP	1	Keyboard
4	B9565LD		Cold Cathode Fluorescent Lamp	12	B9565GM	2	Bezel
5	B9565GJ	1	Cover	13	B9565CY	1	Nameplate
6	Y9231WL	1	Washer (with toothed lockwasher)	14	B9565KA	1	Chart Cassette Assembly
7	Y9203KE	2	Button Head Screw, M2.3 x 3				
8	B9565GN	1	Nameplate (for °C)				
	B9565GR	1	Nameplate (for °F)				
	B9565GT	1	Nameplate (for DIN/DIN)				

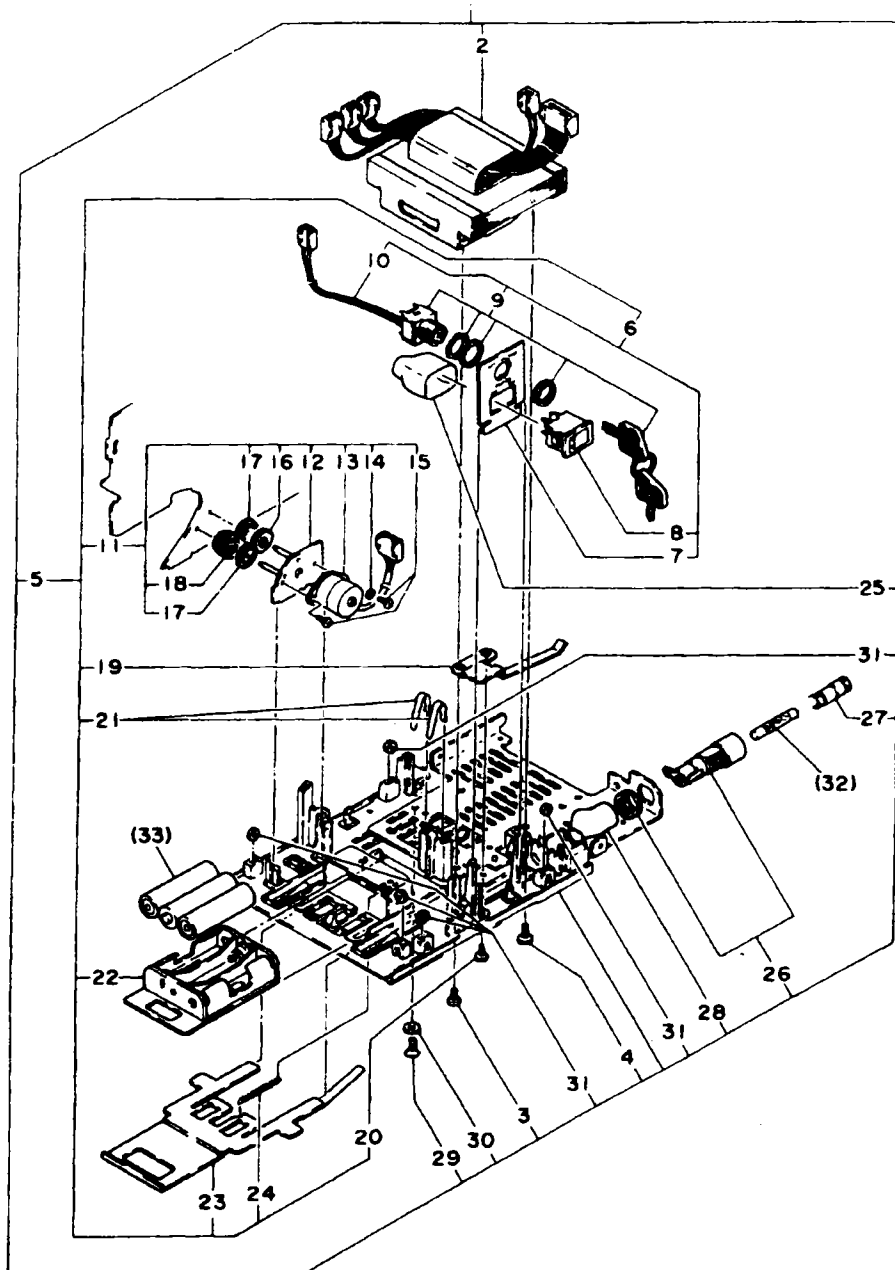
MODEL 4151 CHASSIS ASSEMBLY



MODEL 4151 CHASSIS ASSEMBLY

Item	Part No.	Qty	Description
1	B9565GW	1	Chassis Assembly (100VAC series) (Select one)
	B9565GX	1	Chassis Assembly (200VAC series) (Select one)
2	B9565GY	1	Transformer (100VAC series) (Select one)
	B9565GZ	1	Transformer (200VAC series) (Select one)
3	Y9401TP	1	Tip
4	Y9302TP	1	Tip
5	A9181WW	1	Wire
6	Y9406TS	2	Tapping Screw, M4 x 6
7	B9565HA	1	Chassis Assembly
8	B9565HN	1	Switch Assembly
9	B9565HP	1	Panel
10	B9708FH	1	Switch
11	B9544ZA	1	Key Switch
12	B9565HG	1	Wire Assembly
13	B9565JA	1	Chart Drive Assembly
14	B9565JE	1	Plate Assembly
15	B9565JH	1	Motor Assembly
16	Y9201WB	1	Washer
17	Y9203JB	2	Pan Head Screw, M2.3 x 3
18	B9565JD	1	Gear
19	B9565JC	2	Gear
20	B9565JB	1	Gear
21	B9567AJ	1	Spring
22	B9565AY	2	Screw
23	B9565HF	2	Contact
24	B9565HK	1	Battery Assembly
25	B9565HW	1	Bracket Assembly
26	A9023KN	1	Spring
27	A9426XK	1	Tube
28	A9072KF	1	Fuse Holder
29	A9073KF	1	Fuse Carrier
30	A9425XK	1	Tube
31	B9565HE	1	Band
32	B9565GS	1	Rod
33	Y9401BB	1	Nut
34	B9567AK	1	Bracket
35	Y9305EB	1	Flat Head Screw, M3 x 5
36	Y9301 BB	4	Nut
(37)	A9049KF	1	Fuse (0.5A, 100VAC, time lag)(Select one)
	A9078KF	1	Fuse (0.315A, 200VAC, time lag) (Select one)
38	A9024ED	3	Battery

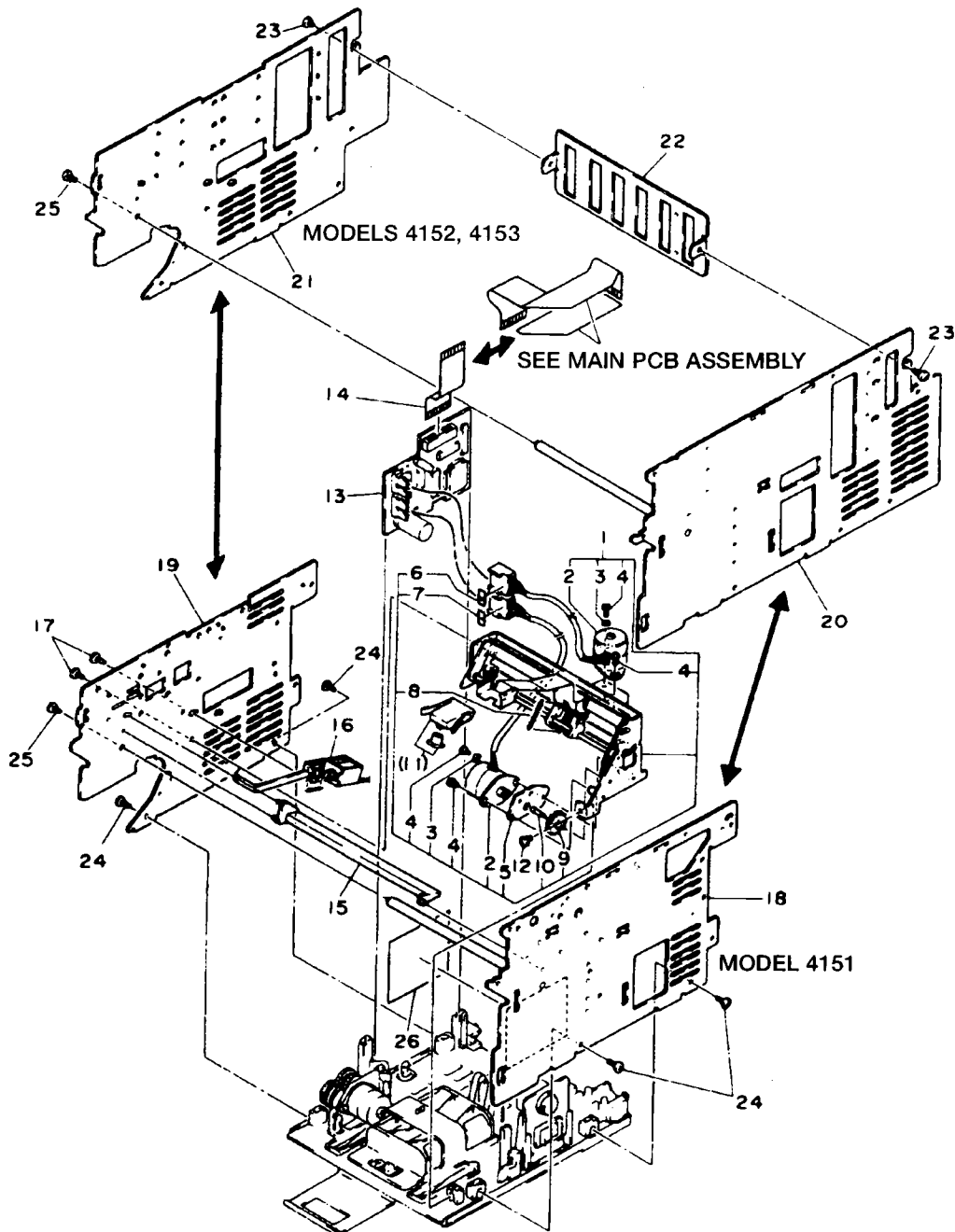
MODEL 4152 AND 4153 CHASSIS ASSEMBLY



MODEL 4152 AND 4153 CHASSIS ASSEMBLY

Item	Part No.	Qty	Description
1	B9565WL	1	Chassis Assembly (100VAC series)(Select one)
	B9565WM	1	Chassis Assembly (200VAC series)(Select one)
2	B9565WP	1	Transformer (100VAC series)(Select one)
	B9565WQ	1	Transformer (200VAC series)(Select one)
3	Y9410TS	2	Tapping Screw, M4 x 10
4	Y9406TS	3	Tapping Screw, M4 x 6
5	B9565HA	1	Chassis Assembly
6	B9565HN	1	Switch Assembly
7	B9565HP	1	Panel
8	B9708FH	1	Switch
9	B9544ZA	1	Key Switch
10	B9565HG	1	Wire Assembly
11	B9565JA	1	Chart Drive Assembly
12	B9565JE	1	Plate Assembly
13	B9565JH	1	Motor Assembly
14	Y9201WB	1	Washer
15	Y9203JB	2	Pan Head Screw, M2.3 x 3
16	B9565JD	1	Gear
17	B9565JC	2	Gear
18	B9565JB	1	Gear
19	B9567AJ	1	Spring
20	B9565AY	2	Screw
21	B9565HF	2	Contact
22	B9565HK	1	Battery Assembly
23	B9565HW	1	Bracket Assembly
24	A9023KN	1	Spring
25	A9426XK	1	Tube
26	A9072KF	1	Fuse Holder
27	A9073KF	1	Fuse Carrier
28	A9425XK	1	Tube
29	Y9410TQ	1	Tapping Screw, M4 x 10
30	Y9400WB	1	Washer
31	Y9301BB	5	Nut
32	A9049KF	1	Fuse (0.5A, 100VAC, time lag) (Select one)
	A9078KF	1	Fuse (0.315A, 200VAC, time lag) (Select one)
33	A9024ED	3	Battery

MODEL 4152 AND 4153 PLOTTER ASSEMBLY

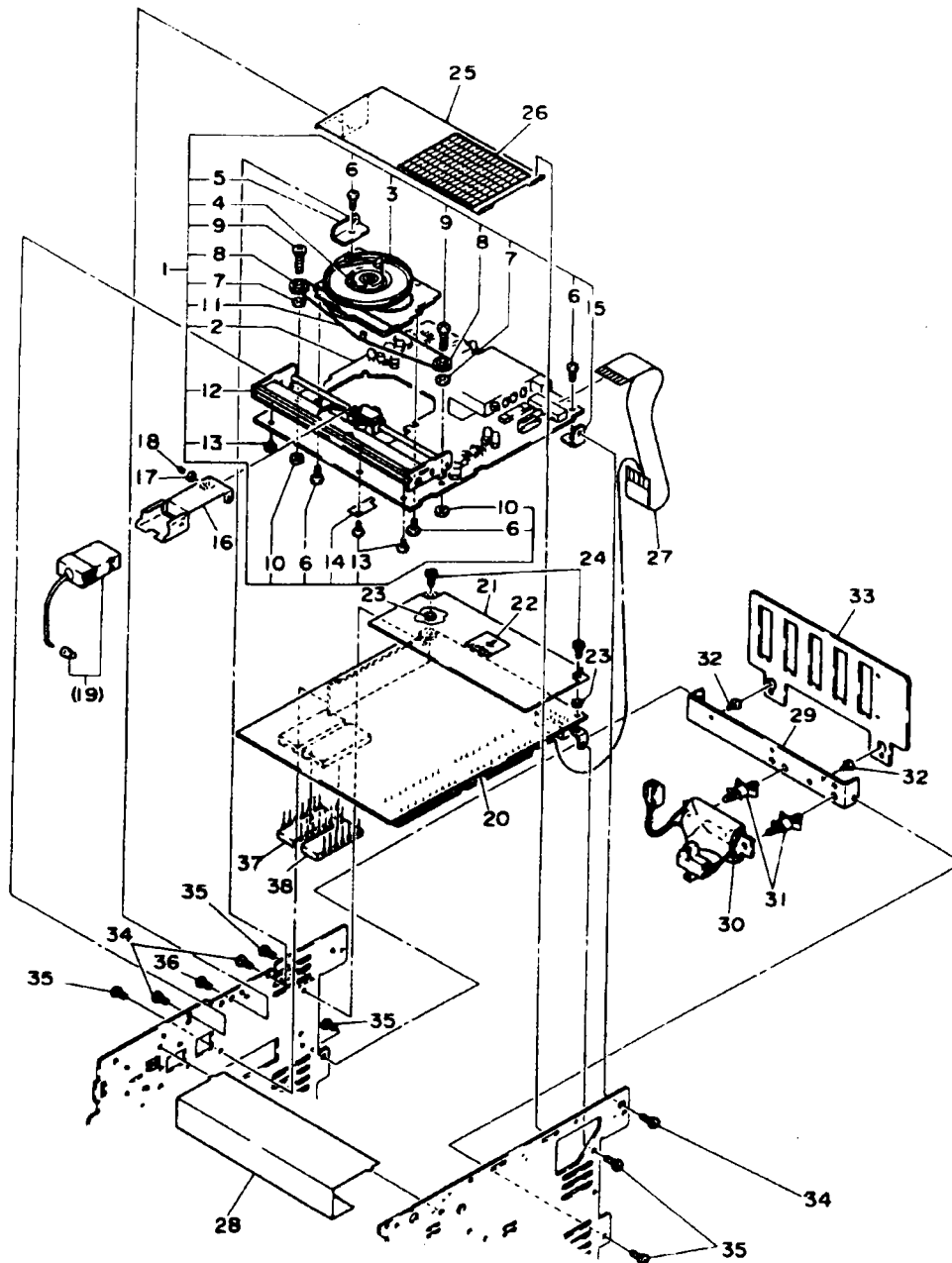


MODEL 4152 AND 4153 PLOTTER ASSEMBLY

Item	Part No.	Qty	Description
1	B9565SR	1	Plotter Assembly
2	B9565JH	2	Motor Assembly
3	Y9201WB	2	Washer
4	Y9203JB	4	Pan Head Screw, M2.3 x 3
5	B9565TJ	1	Plate
6	G9325DF	1	Nameplate #X
7	G9325DG	1	Nameplate #Y
	B9565ST	1	Carriage Assembly
8	A9025KN	1	Spring
	B9565TA	1	Bracket Assembly
9	B9565TD	1	Gear
10	B9565TF	1	Shaft
(11)	B9565ZA	1	Pen Assembly
12	Y9305LE	1	Button Head Screw, M3 x 5
13	B9565SK	1	Power Board Assembly (plotter board)
14	B9565XS	1	Wire ¹ (plotter board - CPU board)
15	B9565SC	1	Lever
16	B9565SD	1	Solenoid Assembly
17	Y9304LE	3	Button Head Screw, M3 x 4
18	B9565GC	1	Frame Assembly ¹
19	B9565GB	1	Frame ¹
20	B9565WD	1	Frame Assembly ²
21	B9565WC	1	Frame ²
22	B9565WF	1	Bracket ²
23	B9565AY	2	Screw ²
24	Y9306LE	4	Button Head Screw, M3 x 6
25	B9565AY	1	Screw
26	B9565BF	1	Nameplate (data plate)

¹ For Model 4151
² For Models 4152 and 4153

MODEL 4151 SERVO, CPU BOARD AND INVERTER ASSEMBLIES



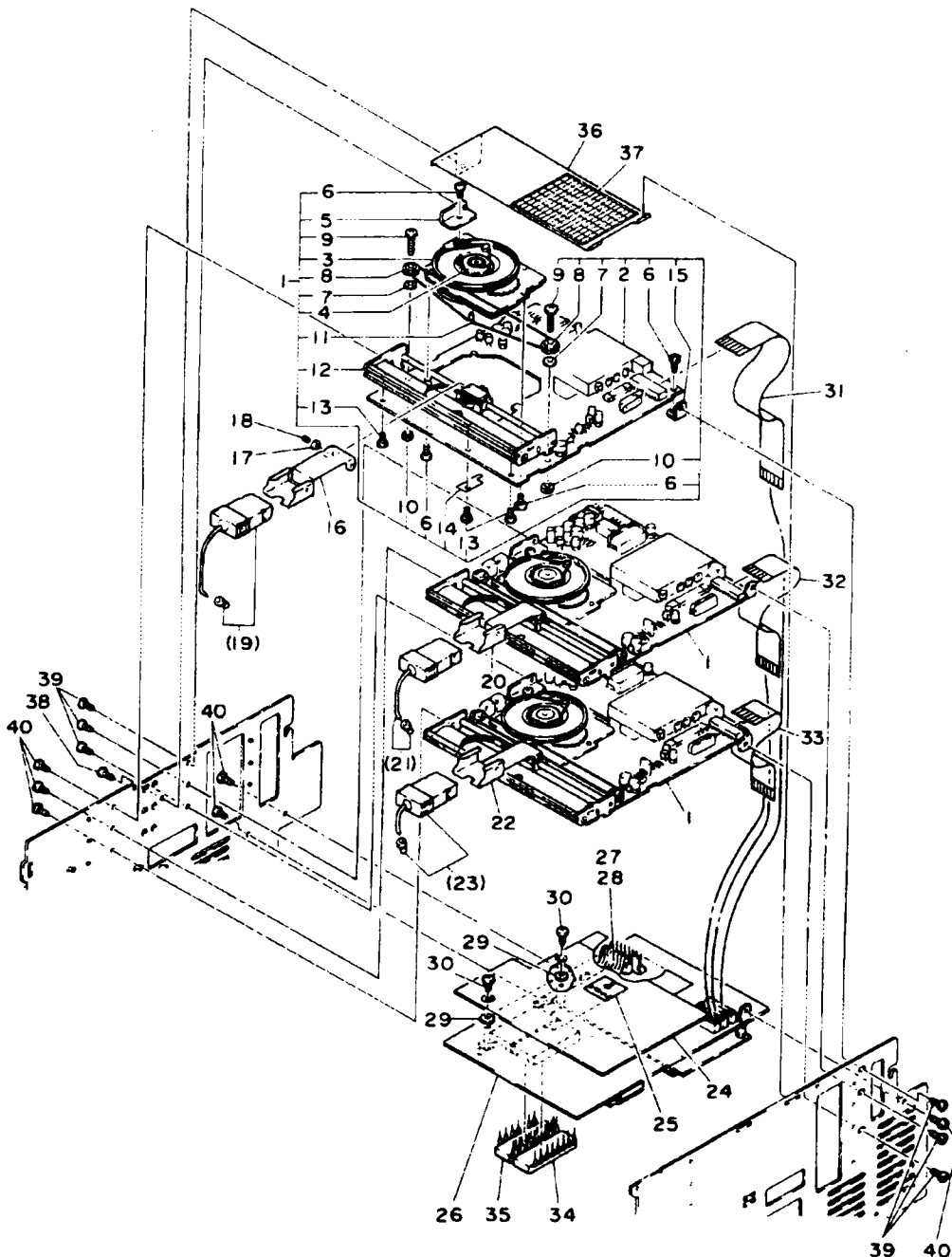
MODEL 4151 SERVO, CPU BOARD AND INVERTER ASSEMBLIES

Item	Part No.	Qty	Description
1	B9565MA	1	Servo Assembly (mV and TC inputs) (Select one)
	B9565MB	1	Servo Assembly (RTD Input) (Select one)
2	B9565LE	1	A/D Servo AMP Assembly (mV and TC Inputs) (Select one)
	B9565LF	1	A/D Servo AMP Assembly (RTD input) (Select one)
3	B9565PA	1	Motor Assembly
4	A9026KN	1	Spring
5	B9565PT	1	Bracket
6	Y9304LB	5	Button Head Screw, M3 x 4
7	Y9720YA	2	Spacer
8	B9565TW	2	Bearing
9	Y9310LB	2	Button Head Screw, M3 x 10
10	Y9301CB	2	Nut
11	B9565QM	1	String Assembly
12	B9565MR	1	Servo Carriage Assembly
13	Y9204KB	3	Button Head Screw, M2.3 x 4
14	B9565NY	1	Plate (for clamp)
15	B9565LL	1	Bracket
16	B9565ME	1	Pen Arm Assembly
17	B9565MQ	1	Nut
18	Y9204SB	1	Set Screw
(19)	B9565YA	1	Pen Assembly
20	B9565LK	1	CPU Board Assembly
21	B9565LN	1	Plate (for insulator)
22	B9565LQ	1	Namplate
23	Y9902YA	2	Spacer
24	Y9306LB	2	Button Head Screw, M3 x 6
25	B9565GG	1	Cover
26	B9565GQ	1	Nameplate
27	B9565XR	1	Wire (servo assembly - CPU Board)
28	B9565GK	1	Cover
29	B9565GL	1	Bracket
30	B9565XH	1	INV Assembly (for inverter power supply)
31	G9320KH	2	Stud
32	Y9306LE	2	Button Head Screw, M3 x 6
33	B9565GF	1	Bracket
34	Y9304LE	2	Button Head Screw, M3 x 4
35	B9565AY	5	Screw
36	B9565CX	1	Screw
37	See note table	1	ROM Assembly No. 1
38	See note table	1	ROM Assembly No. 2

Note Table

Model Code	Suffix Code	Input Types	ROM Part No.	ROM Assembly No.
4151	-100	VDC & TC (ANSI & JIS), °C	B9565RA	1
	-200	RTD (JIS), °C		
	-300	VDC & TC (ANSI), °C		
	-400	RTD (DIN), °C	B9565RB	2
	-500	VDC & TC (ANSI), °F		
	-600	RTD (DIN), °F		
	-700	VDC & TC (DIN), °C		
	-800	RTD (DIN), °C	B9565RC	1
		B9565RD	2	

MODEL 4152 AND 4153 SERVO AND CPU BOARD ASSEMBLIES



MODEL 4152 AND 4153 SERVO AND CPU BOARD ASSEMBLIES

Item	Part No.	Qty		Description
		4152	4153	
1	B9565MA	1 to 2	1 to 3	Servo Assembly (mV and TC inputs) (Select one)
	B9565MB	1 to 2	1 to 3	Servo Assembly (RTD Input) (Select one)
2	B9565LE	1	1	A/D Servo AMP Assembly (mV and TC inputs) (Select one)
	B9565LF	1	1	A/D Servo AMP Assembly (RTD input) (Select one)
3	B9565PA	1	1	Motor Assembly
4	B9026KN	1	1	Spring
5	B9565PT	1	1	Bracket
6	Y9304LB	5	5	Button Head Screw, M3 x 4
7	Y9720YA	2	2	Spacer
8	B9565TW	2	2	Bearing
9	Y9310LB	2	2	Button Head Screw, M3 x 10
10	Y9301CB	2	2	Nut
11	B9565QM	1	2	Spring Assembly
12	B9565MR	1	1	Servo Carriage Assembly
13	Y9204KB	3	3	Button Head Screw, M2.3 x 4
14	B9565NY	1	1	Plate (for clamp)
15	B9565LL	1	1	Bracket
16	B9565ME	1	1	Pen Arm Assembly
17	B9565MQ	2	3	Nut
18	Y9204SB	2	3	Set Screw
(19)	B9565YA	1	1	Pen Assembly (1st pen)
20	B9565MJ	1	1	Pen Arm Assembly (1st pen)
(21)	B9565YB	1	1	Pen Assembly (2nd pen)
22	B9565MM		1	Pen Arm Assembly (2nd pen)
(23)	B9565YC		1	Pen Assembly (3rd pen)
24	B9565XC	1	1	Plate (for insulator) (3rd pen)
25	B9565LQ	1	1	Nameplate
26	B9565XA	1	1	Main PCB Assembly
	B9565XB	1	1	Main PCB Assembly ¹
27	B9565XW	1	1	Wire, plotter board - CPU board
28	B9565WW	1	1	Plate, plotter board - CPU board
29	Y9902YA	2	2	Spacer
30	Y9306LB	2	2	Button Head Screw, M3 x 6
31	B9565XR	1	1	Wire (1st pen servo - Main PCB)
32	B9565XS	1	1	Wire (2nd pen servo - Main PCB)
33	B9565XT		1	Wire (3rd pen servo - Main PCB)
34	See Note Table	1	1	ROM Assembly No. 1
35	See Note Table	1	1	ROM Assembly No. 2
36	B9565GG	1	1	Cover
37	B9565GQ	1	1	Nameplate
38	B9565CX	1	1	Screw
39	Y9304LE	4	6	Button Head Screw, M3 x 4
40	B9565AY	5	6	Screw

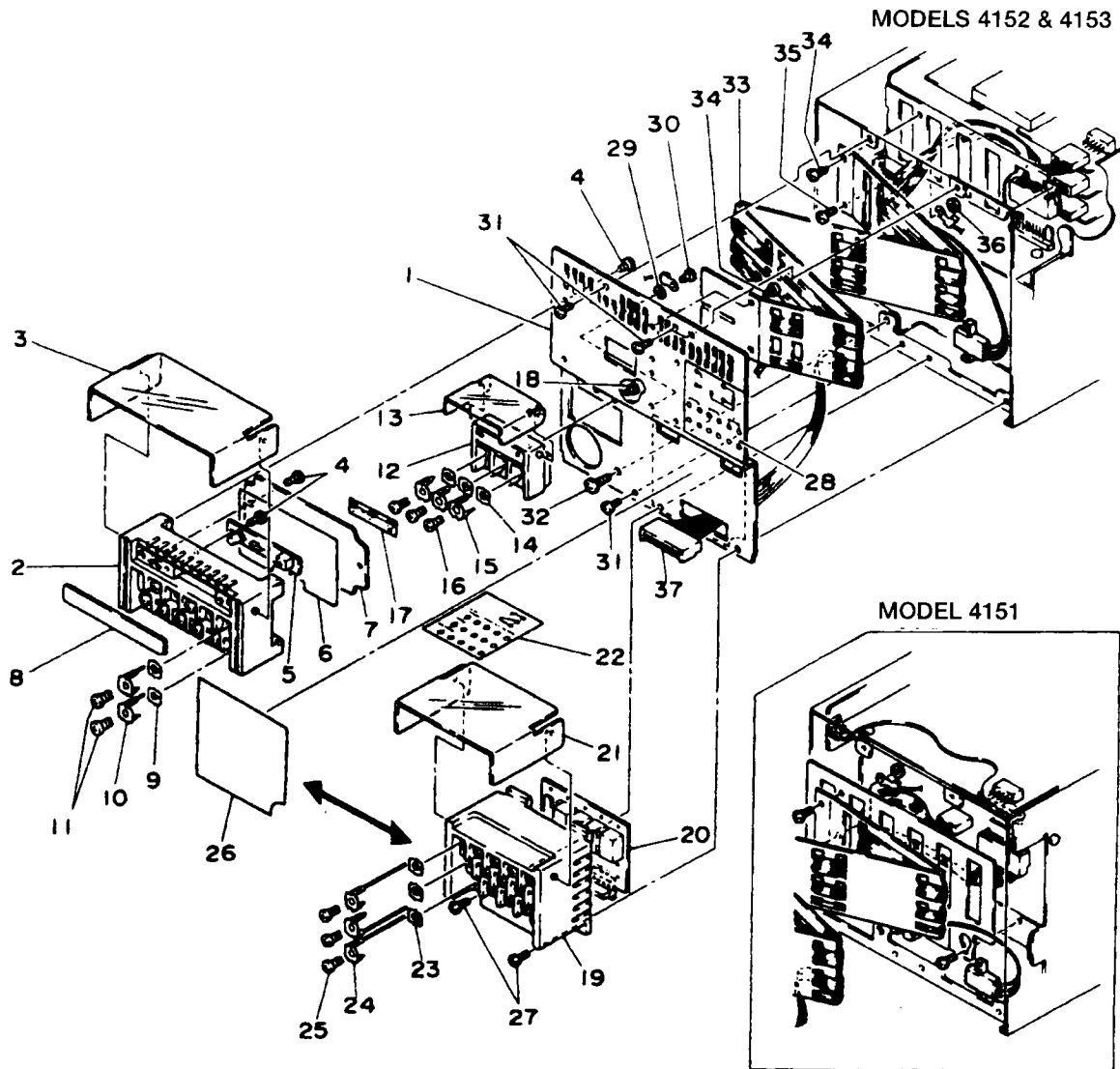
¹ For Model 415# /PS (option)

MODEL 4152 AND 4153 SERVO AND CPU BOARD ASSEMBLIES, CONT'D

NOTE TABLE

Model	Suffix Code				Description	ROM Part No.	ROM Assembly No.
	#	#	#	/##			
4152	1 to 6	1 to 6	0		ANSI/JIS, DIN	B9565RE	1
	1 to 6	1 to 6	0			B9565RF	2
	1 to 6	1 to 6	0	/PS		B9565RJ	1
	1 to 6	1 to 6	0	/PS		B9565RK	2
	7 or 8	7 or 8	0		DIN/DIN	B9565RG	1
	7 or 8	7 or 8	0			B9565RH	2
	7 or 8	7 or 8	0	/PS		B9565RL	1
	7 or 8	7 or 8	0	/PS		B9565RM	2
4153	1 to 6	1 to 6	1 to 6		ANSI/JIF,DIN	B9565RE	1
	1 to 6	1 to 6	1 to 6			B9565RF	2
	1 to 6	1 to 6	1 to 6	/PS		B9565R	1
	1 to 6	1 to 6	1 to 6	/PS		B9565RK	2
	7 or 8	7 or 8	7 or 8		DIN/DIN	B9565RG	1
	7 or 8	7 or 8	7 or 8			B9565RH	2
	7 or 8	7 or 8	7 or 8	/PS		B9565RL	1
	7 or 8	7 or 8	7 or 8	/PS		B9565RM	2

MODEL 4151, 4152 AND 4153 TERMINAL ASSEMBLY



MODEL 4151, 4152 AND 4153 TERMINAL ASSEMBLY

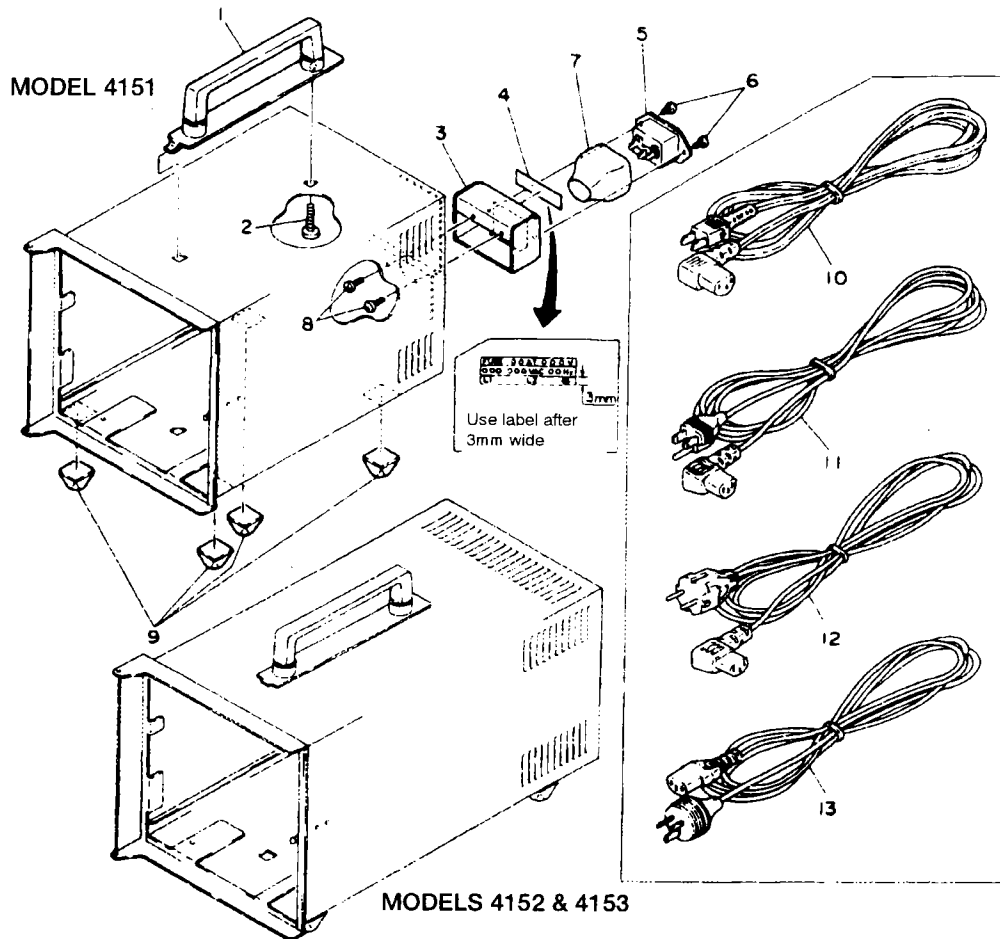
Item	Part No.	Qty	Description	Item	Part No.	Qty	Description
1	B9565EN	1	Panel	20	B9565EW	1	PCB Assembly ¹
2	B9565FA	1	Terminal		B9565EY	1	PCB Assembly ²
3	B9565FP	1	Cover		B9565EX	1	PCB Assembly ³
4	Y9310TS	3	Tapping Screw, M3 x 10	21	B9565FQ	1	Cover
5	B9565ER	1	PCB Assembly for RJC (mV and TC inputs)	22	B9565FM	1	Nameplate
6	B9565FW	1	Plate (for insulator)	23	B9565FB	3	Nut ²
7	B9565FH	1	Plate		B9565FB	12	Nut ¹
8	B9565FJ	1	Plate (mV and TC inputs)	24	B9565FE	3	Bracket ²
9	B9565FB	4 to 9	Nut		B9565FE	12	Nut
10	B9565FC	4 to 9	Bracket	25	B9565AZ	3	Screw ²
11	B9565AZ	4 to 9	Screw		B9565AZ	12	Screw ¹
12	B9565FD	1	Terminal	26	B9565EP	1	Plate (for recorder without option terminal)
13	B9565FK	1	Cover	27	Y9306LE	2	Button Head Screw, M3 x 6
14	B9565FB	3	Nut	28	B9565FL	1	Nameplate
15	B9565FC	3	Bracket	29	Y9301WL	1	Washer (with toothed lockwasher)
16	B9565AZ	3	Screw	30	Y9304LE	1	Button Head Screw, M3 x 4
17	B9565BK	1	100VAC 50Hz Nameplate	31	B9565AY	3	Screw
	B9565BL	1	100VAC 60Hz Nameplate	32	Y9406LB	1	Button Head Screw, M4 x 6 (for shipping stop)
	B9565BM	1	115VAC 50Hz Nameplate				
	B9565BN	1	115VAC 60Hz Nameplate	33	B9565FF	1	Guide
	B9565BP	1	200VAC 50Hz Nameplate	34	Y9304LE	3	Button Head Screw, M3 x 4
	B9565BQ	1	200VAC 60Hz Nameplate	35	Y9308LE	1	Button Head Screw, M3 x 8
	B9565BR	1	230VAC 50Hz Nameplate	36	Y9301BB	1	Nut
B9565BS	1	230VAC 60Hz Nameplate					
18	Y9310TS	2	Screw	37	B9565FT	1	Wire Assembly (Model 415# ###/AK-04/REM) (option)
19	B9565ET	1	Terminal				

¹ For Model 415# ### /AK-04

² For Model 415# ### /REM

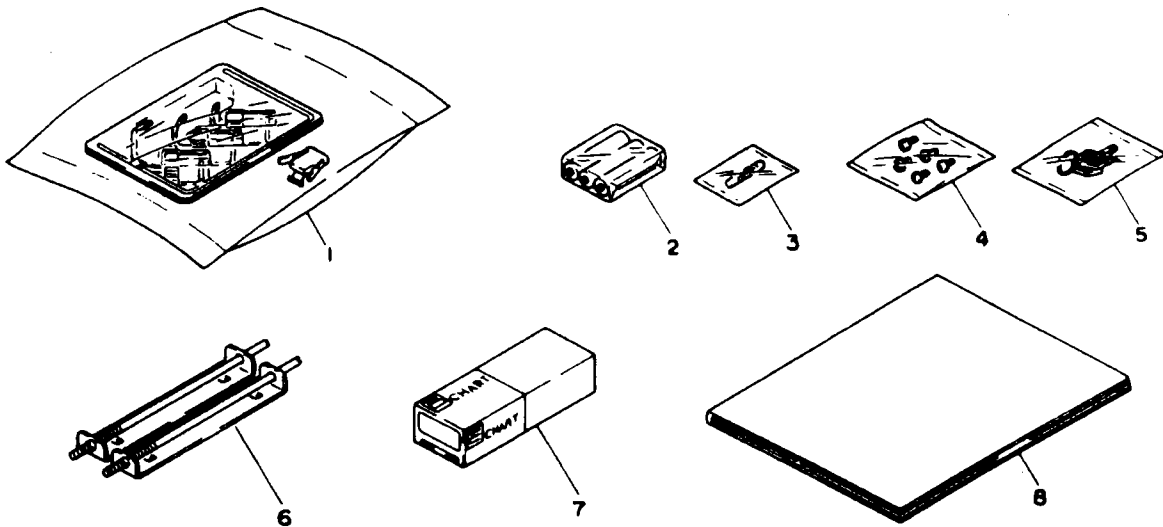
³ For Model 415# ### /AK-04/REM

MODEL 415#/PBL PORTABLE TYPE (OPTION)



Item	Part No.	Qty	Description	Item	Part No.	Qty	Description
1	B9567BA	1	Handle Assembly	5	A9172KC	1	Connector
2	Y9518LB	1	Button Head Screw, M5 x 18	6	Y9306LE	2	Button Head Screw, M3 x 6
3	B9567BG	1	Bracket	7	A9425XK	1	Tube
4	B9565BK	1	100VAC 50Hz Nameplate	8	Y9306LK	2	Button Head Screw, M3 x 6
	B9565BL	1	100VAC 60Hz Nameplate	9	B9529LM	4	Bumper
	B9565BM	1	115VAC 50Hz Nameplate	10	A9009WD	1	Power Cord (other than below)
	B9565BN	1	115VAC 60Hz Nameplate	11	A9008WD	1	Power Cord (UL standard)
	B9565BP	1	200VAC 50Hz Nameplate	12	A9011WD	1	Power Cord (VDE standard)
	B9565BQ	1	200VAC 60Hz Nameplate	13	A9015WD	1	Power Cord (SAA standard)
	B9565BR	1	230VAC 50Hz Nameplate				
B9565BS	1	230VAC 60Hz Nameplate					

MODEL 4151, 4152 ADN 4153 ACCESSORIES



Item	Part No.	Qty			Description
		4151	4152	4153	
1		1			Pen Assembly (1st pen and plotter pen) ¹
			1		Pen Assembly (1st, 2nd pens & plotter pen) ¹
				1	Pen Assembly (1st, 2nd, 3rd pens & plotter pen) ¹
2	A9024ED	3	3	3	Battery
3	A9049KF	1	1	1	Fuse (0.5A, 100VAC, time lag) (Select one)
	A9078KF	1	1	1	Fuse (0.315A, 200VAC, time lag) (Select one)
4	B9565AZ	5	5	5	Screw (for terminal)
5		1	1	1	Key
6	B9565CR	2	2	2	Bracket Assembly (for panel mounting)
7	B9565AW	1	1	1	Chart Paper ²
8		1	1	1	Instruction Manual

¹Pen package is supplied in packs of 3 pcs.; part number shown below. One pack is the minimum order quantity.

²Chart paper is supplied in packs of 6 sheaves. One pack is the minimum order quantity.

Part No.	Qty	Description
B9565AP	3	1st Pen (red)
B9565AQ	3	2nd Pen (green)
B9565AR	3	3rd Pen (blue)
B9565AS	3	Plotter Pen (purple)

