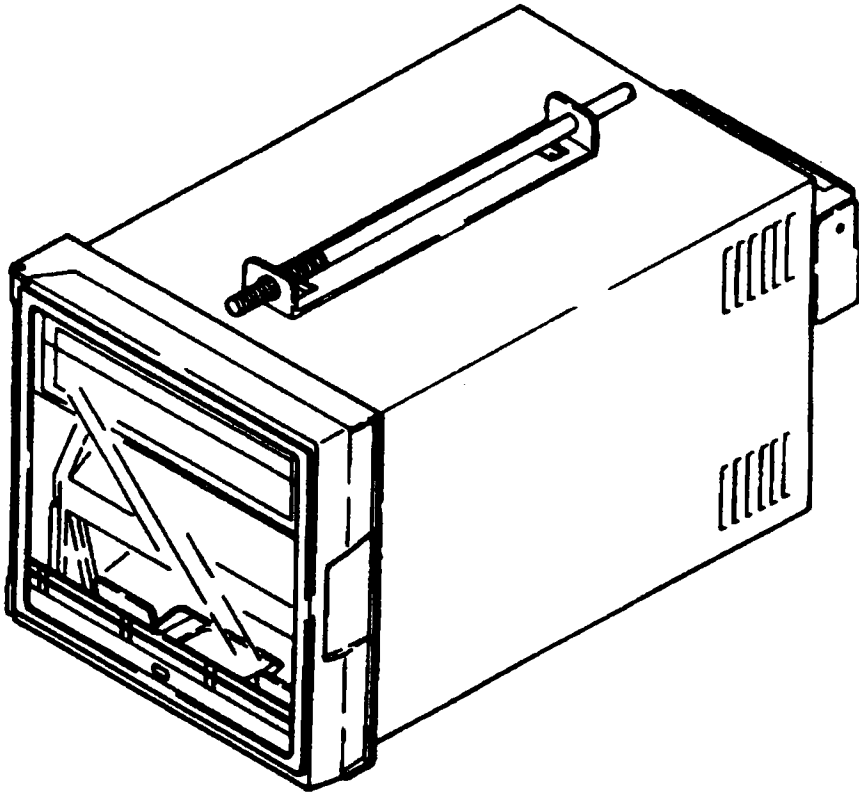
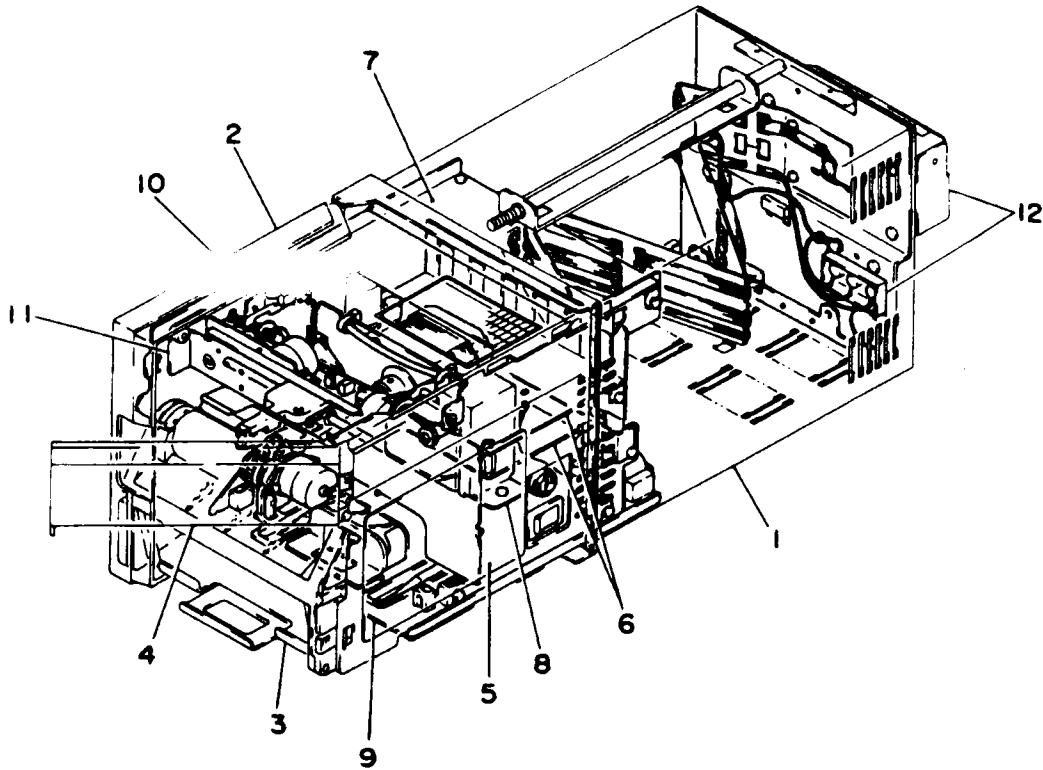


MODEL 4156
100MM MICRO RECORDER

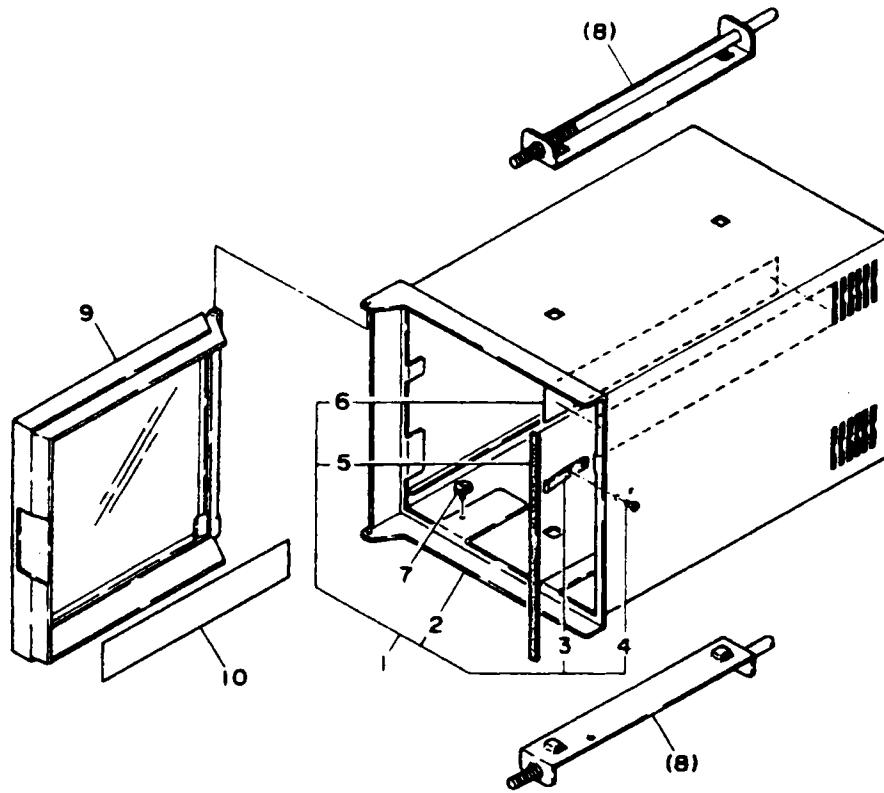


MODEL 4156 100MM MICRO RECORDER COMPLETE SET



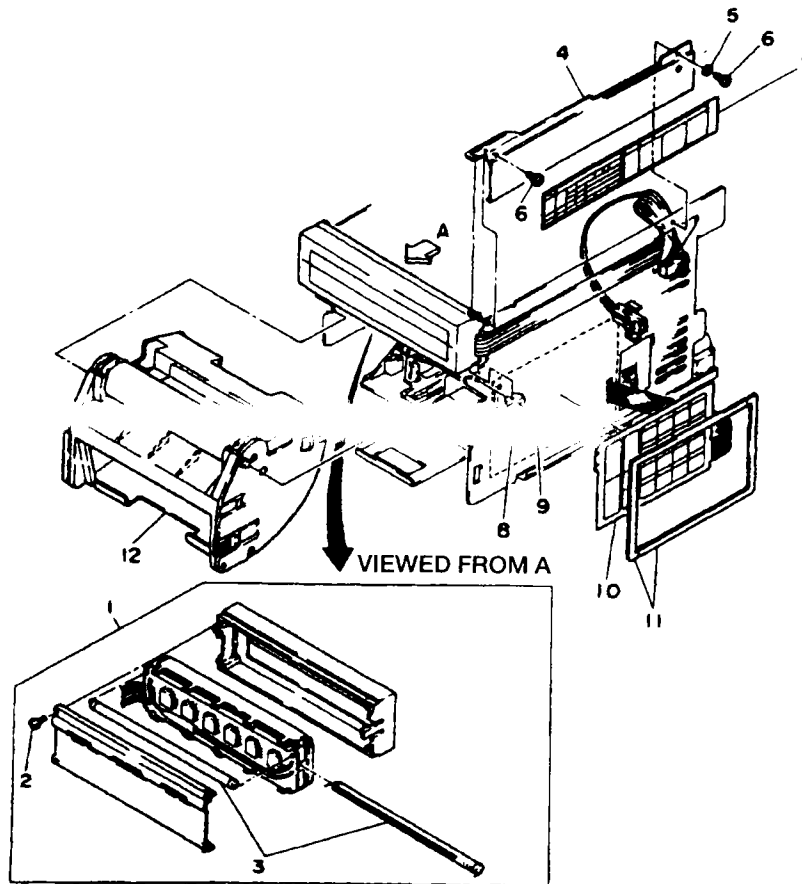
Item	Description
1	Case Assembly
2	Door Assembly
3	Chart Cassette Assembly
4	Display Assembly
5	Keyboard Assembly
6	CPU Board Assembly
7	Scan PCB Assembly
8	Transformer Assembly
9	Chassis Assembly
10	Frame Assembly
11	Swing Bracket Assembly
12	Terminal Assembly
	Portable Type (option)
	Standard Accessory

MODEL 4156 100MM MICRO RECORDER CASE AND DOOR ASSEMBLIES



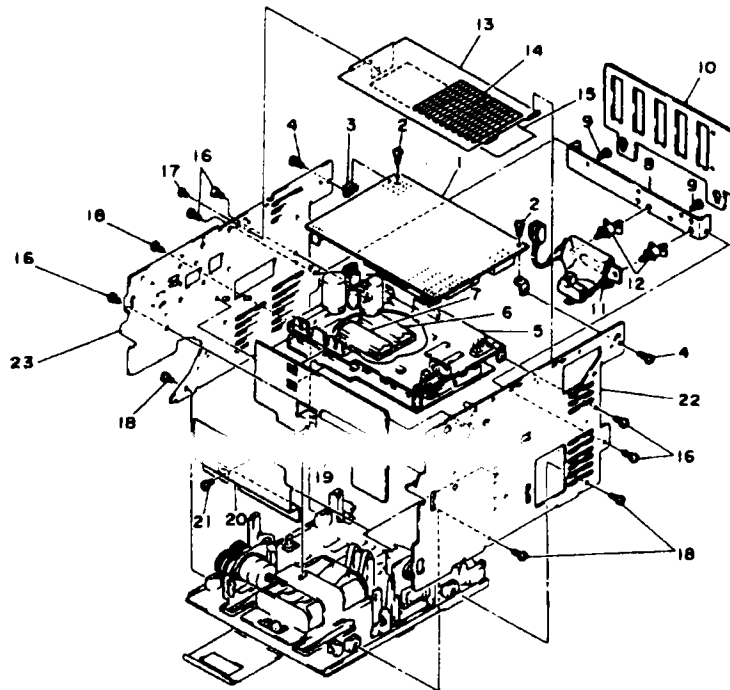
Item	Part No.	Qty	Description
1	B9567AA	1	Case Assembly
2	B9565CE	1	Case Assembly
3	B9565CD	1	Spring
4	B9565CW	2	Screw
5	B9565CB	1	Gasket
6	B9565CQ	1	Tape (length: 160 mm)
7	B9565AJ	1	Screw (for internal mechanism stopper)
(8)	B9565CR	2	Bracket Assembly
9	B9567AF	1	Door Assembly
10	B9566BC	1	Nameplate

MODEL 4156 100MM MICRO RECORDER CHART CASSETTE AND DISPLAY ASSEMBLIES



Item	Part No.	Qty	Description
1	B9565LA	1	Display Assembly
2	B9567AZ	4	Tapping Screw
3	B9565LD	2	Cold Cathode Fluorescent Lamp
4	B9565GJ	1	Cover
5	Y9231WL	1	Washer (with toothed lockwasher)
6	Y9203KE	2	Button Head Screw, M2.3 x 3
7	B9565GN	1	Nameplate (for °C)
	B9565GR	1	Nameplate (for °F)
	B9565GT	1	Nameplate (for DIN/DIN)
8	G9565GH	1	Bracket
9	Y9203KE	1	Button Head Screw, M2.3 x 3
10	B9565GP	1	Keyboard
11	B9565GM	2	Bezel
12	B9565KA	1	Chart Cassette Assembly

MODEL 4156 100MM MICRO RECORDER CPU BOARD, SCAN BOARD AND INVERTER ASSEMBLIES

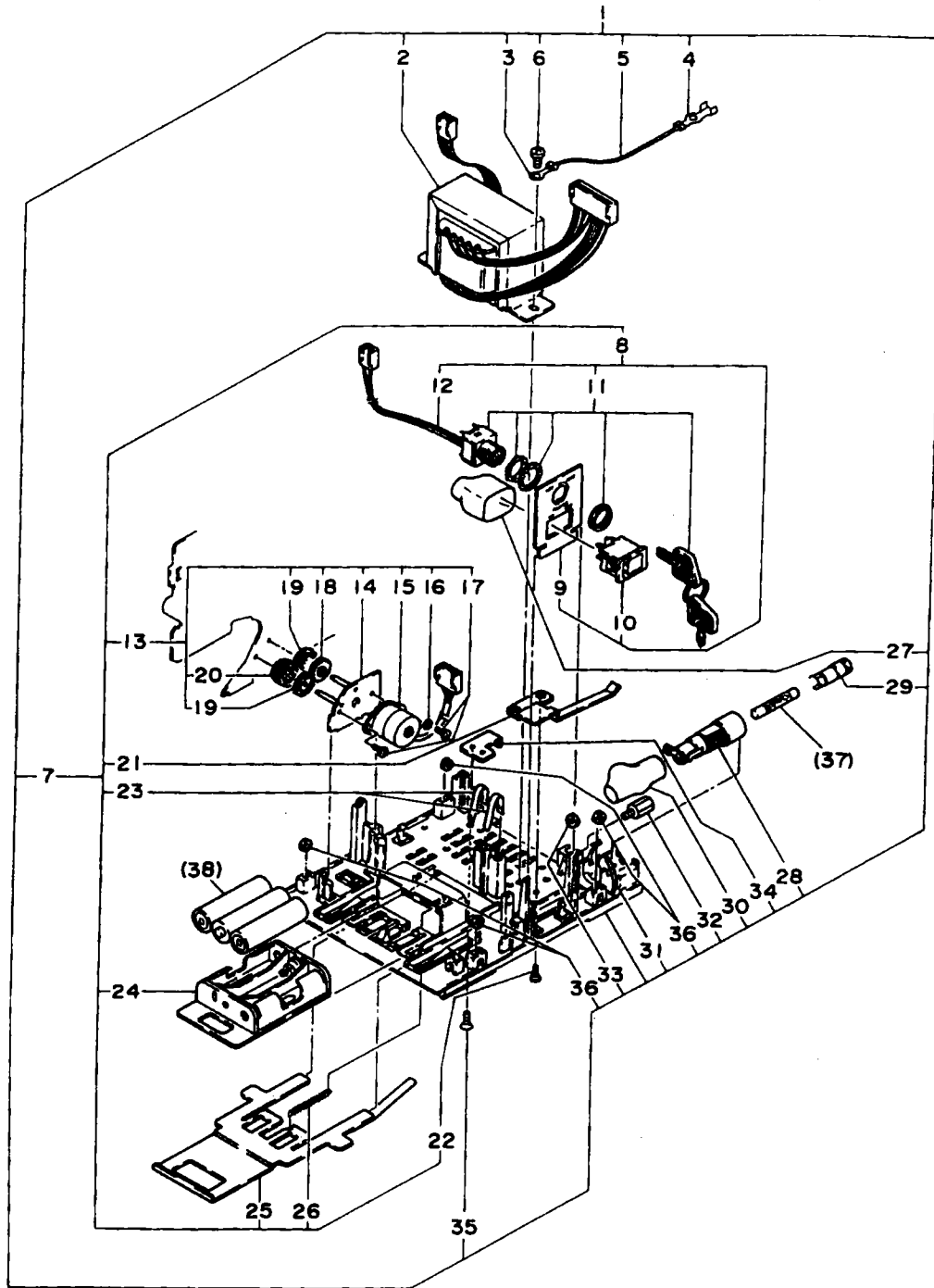


Item	Part No.	Qty	Description	Item	Part No.	Qty	Description
1	B9566TA	1	Scan PCB Assembly (mV and TC inputs)	12	G9320KH	2	Stud
	B9566TB	1	Scan PCB Assembly (RTD input)	13	B9566DS	1	Cover
2	Y9304LE	2	Button Head Screw, M3 x 4	14	B9565GQ	1	Nameplate
3	B9565LL	2	Bracket	15	B9566DT	1	Plate (for insulator)
4	Y9304LE	2	Button Head Screw, M3 x 4	16	B9566AY	5	Screw
5	B9566TF	1	CPU Board Assembly	17	B9566CX	1	Screw
6	See Note Table	1	ROM Assembly No. 1	18	Y9306LE	4	Button Head Screw, M3 x 6
7	See Note Table	1	ROM Assembly No. 2	19	B9566DJ	1	Plate
8	B9565GL	1	Bracket	20	B9566DK	1	Cover
9	Y9306LE	2	Button Head Screw, M3 x 6	21	B9566AY	1	Screw
10	B9565GF	1	Bracket	22	B9566ED	1	Frame Assembly
11	B9565XH	1	INV Assembly	23	B9565GB	1	Frame

NOTE TABLE

Model	Suffix Code	Input Types	ROM Part No.	ROM Assembly No.
4156	-100	VDC & TC (ANSI & JIS), °C	B9566RA	1
	-200	RTD (JIS), °C		
	-300	VDC & TC (ANSI), °C		
	-400	RTD (DIN), °C	B9566RB	2
	-500	VDC & TC (ANSI), °C		
	-600	RTD (DIN), °F		
	-700	VDC & TC (DIN), °C		
	-800	RTD (DIN), °C	B9566RC	1
		B9566RD	2	

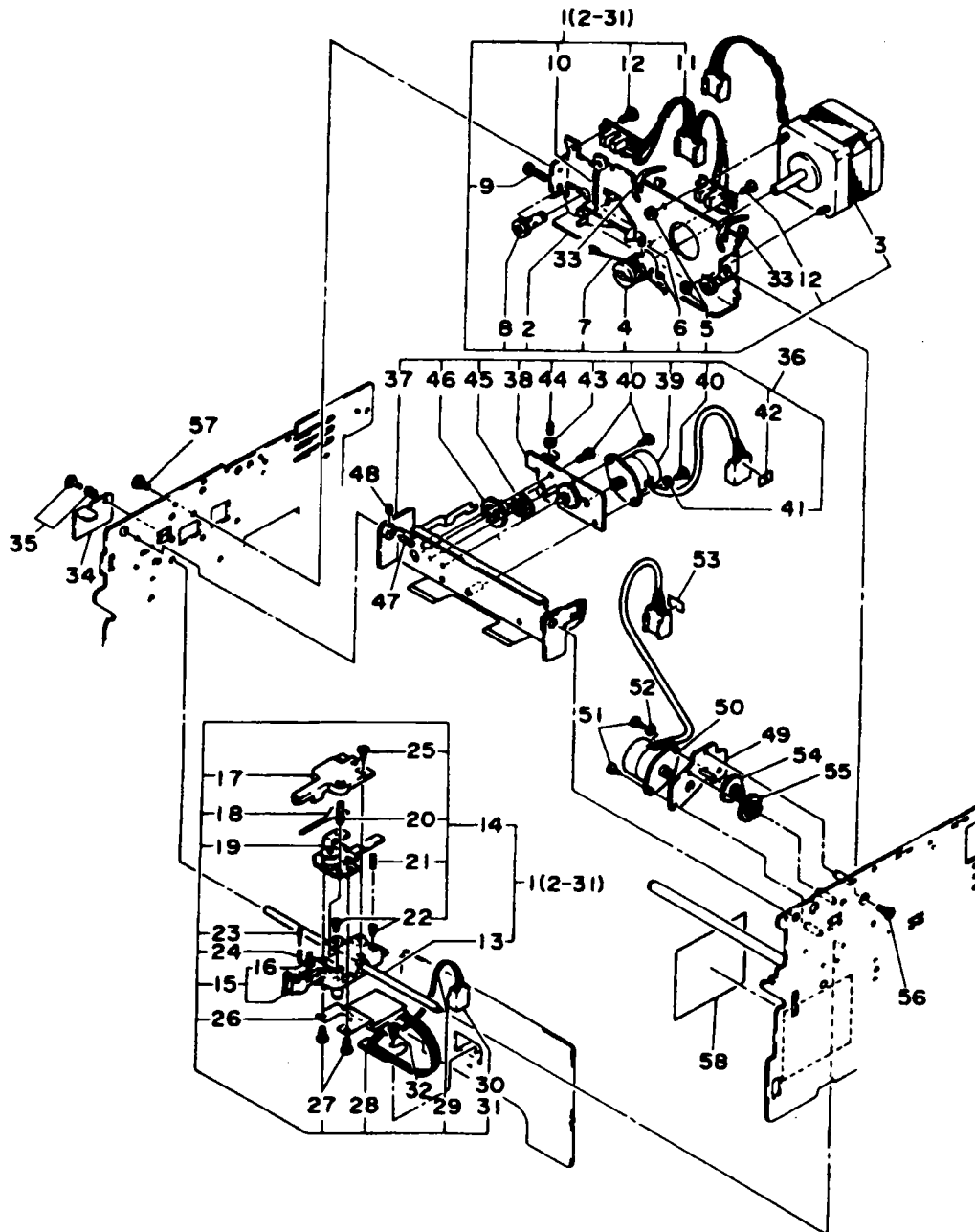
MODEL 4156 100MM MICRO RECORDER CHASSIS ASSEMBLY



MODEL 4156 100MM MICRO RECORDER CHASSIS ASSEMBLY

Item	Part No.	Qty	Description	
1	B9566JA	1	Chassis Assembly (100VAC, series)	Select
	B9566JB	1	Chassis Assembly (200VAC, series)	
2	B9566TS	1	Transformer (100VAC, series)	
	B9566TT	1	Transformer (200VAC, series)	
3	Y9401TP	1	Tip	
4	Y9302TP	1	Tip	
5	A9181WW	1	Wire	
6	Y9406TS	2	Tapping Screw, M4 x 6	
7	B9565HA	1	Chassis Assembly	
8	B9565HN	1	Switch Assembly	
9	B9565HP	1	Panel	
10	B9708FH	1	Switch	
11	B9544ZA	1	Key Switch	
12	B9565HG	1	Wire Assembly	
13	B9565JA	1	Chart Drive Assembly	
14	B9565JE	1	Plate Assembly	
15	B9565JH	1	Motor Assembly	
16	Y9201WB	1	Washer	
17	Y9203JB	2	Pan Head Screw, M2.3 x 3	
18	B9565JD	1	Gear	
19	B9565JC	2	Gear	
20	B9565JB	1	Gear	
21	B9567AJ	1	Spring	
22	B9565AY	2	Screw	
23	B9565HF	2	Contact	
24	B9565HK	1	Battery Assembly	
25	B9565HW	1	Bracket Assembly	
26	A9023KN	1	Spring	
27	A9426XK	1	Tube	
28	A9072KF	1	Fuse Holder	
29	A9073KF	1	Fuse Carrier	
30	A9425XK	1	Tube	
31	B9565HE	1	Band	
32	B9565GS	1	Rod	
33	Y9401BB	1	Nut	
34	B9567AK	1	Bracket	
35	Y9305EB	1	Button Head Screw, M3 x 5	
36	Y9301BB	4	Nut	
(37)	A9049KF	1	Fuse (100VAC series, 0.5A time lag)	Select
	A9078KF	1	Fuse (200VAC series, 0.315 time lag)	(accessory)
(38)	A9024ED	3	Battery (accessory)	

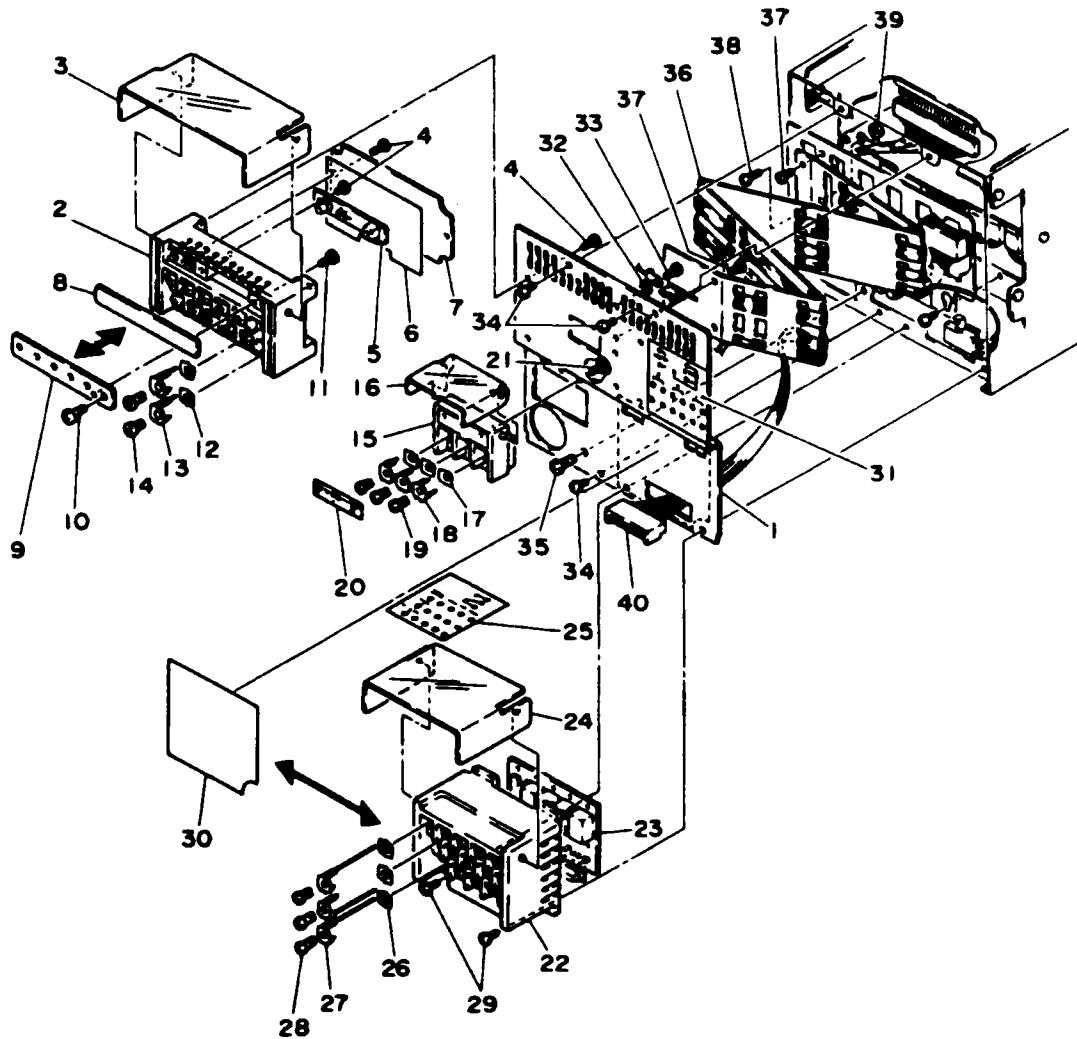
MODEL 4156 100MM MICRO RECORDER FRAME AND SWING BRACKET ASSEMBLIES



MODEL 4156 100MM MICRO RECORDER FRAME AND SWING BRACKET ASSEMBLIES

Item	Part No.	Qty	Description	Item	Part No.	Qty	Description
1	B9566EH	1	Frame Assembly	30	A9243KP	1	Connector Plug
2	B9566EJ	1	Frame Assembly	31	A9374KP	2	Pin
3	B9566EX	1	Motor Assembly	32	Y9304LE	1	Button Head Screw, M3 x 4
4	B9566EW	1	Pulley	33	B9566TZ	2	Band
5	Y9301BB	2	Nut	34	B9566DD	1	Bracket
6	Y9304SJ	2	Set Screw	35	B9543SQ	1	Rivet
7	B9566EY	1	String Assembly	36	B9566FA	1	Swing Bracket Assembly
8	B9566ER	1	Bearing Assembly	37	B9566FD	1	Bracket Assembly
9	Y9312LB	1	Button Head Screw, M3 x 12	38	B9566FP	1	Bracket
10	A9027KN	1	Spring	39	B9565JH	1	Motor Assembly
11	B9566EZ	1	Detector Assembly	40	Y9203JB	3	Pan Head Screw, M2.3 x 3
12	Y9306LE	4	Button Head Screw, M3 x 6	41	Y9201JB	3	Washer
13	B9566DM	1	Shaft	42	G9325DF	1	Nameplate
14	B9566GA	1	Carriage Assembly	43	Y9301BB	1	Nut
15	B9566HK	1	Carriage Assembly	44	Y9308SK	1	Set Screw
16	B9566GR	1	Bumper	45	B9565JD	1	Gear
17	B9566GM	1	Cover Assembly	46	B9566FC	1	Gear
18	B9566GD	1	Plate Assembly	47	B9566DP	1	Shaft
19	B9566HA	1	Coil Assembly	48	Y9203SE	1	Set Screw
20	Y9312SK	1	Set Screw	49	B9566HQ	1	Plate Assembly
21	A9028KN	1	Spring	50	B9565JH	1	Motor Assembly
22	B9566GK	2	Rod	51	Y9203JB	2	Pan Head Screw, M2.3 x 3
23	B9566GG	1	Wire Assembly	52	Y9201WB	1	Washer
24	B9566GF	1	Spring	53	G9325DG	1	Nameplate "Y"
25	Y9203KE	2	Button Head Screw, M2.3 x 3	54	B9566HT	1	Gear
26	B9566GC	1	Bracket	55	B9565JD	1	Gear
27	Y9304JB	2	Pan Head Screw, M3 x 4	56	Y9304EB	1	Button Head Screw, M3 x 4
28	B9566GZ	1	Pen Board	57	B9565AY	1	Screw
29	G9006VN	1	Wire (length: 90 mm)	58	B9565BF	1	Nameplate (data plate)

MODEL 4156 100MM MICRO RECORDER TERMINAL ASSEMBLY



MODEL 4156 100MM MICRO RECORDER TERMINAL ASSEMBLY

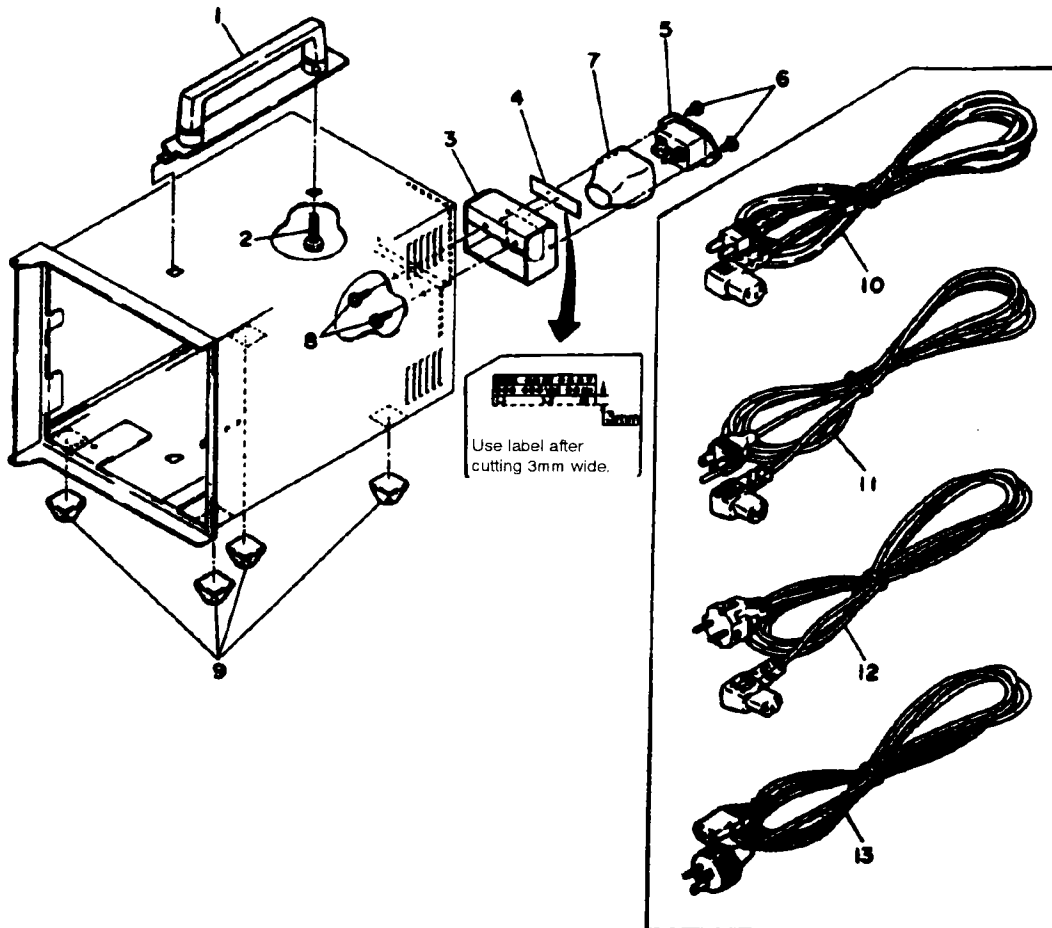
Item	Part No.	Qty	Description	Item	Part No.	Qty	Description
1	B9565EN	1	Panel	21	Y9310TS	2	Screw
2	B9565FA	1	Terminal	22	B9565ET	1	Terminal
3	B9565FP	1	Cover	23	B9565EW	1	PCB Assembly ¹
4	Y9301TS	3	Tapping Screw, M3 x 10		B9565EY	1	PCB Assembly ²
5	B9565ER	1	PCB Assembly for RJC (mV & TC inputs)		B9565EX	1	PCB Assembly ³
6	B9565FW	1	Plate	24	B9565FQ	1	Cover
7	B9565FH	1	Plate	25	B9565FM	1	Nameplate
8	B9565FJ	1	Plate (mV & TC inputs)	26	B9565FB	3	Nut ²
9	B9566BF	1	Plate for RTD input		B9565FB	12	Nut ¹
10	E9655FX	6	Button Head Screw, M4 x 6 (±) (for RTD input)	27	B9565FE	3	Bracket ²
					B9565FE	12	Bracket ¹
11	Y9304LB	1	Button Head Screw, M3 x 4 (for RTD input)	28	B9565AZ	3	Screw ²
					B9565AZ	13	Screw ¹
12	B9565FB	12	Nut	29	Y9306LE	2	Button Head Screw, M3 x 6
13	B9565FC	12	Bracket	30	B9565EP	1	Plate (for recorder without option terminal)
14	B9565AZ	12	Screw	31	B9566BD	1	Nameplate
15	B9565FD	1	Terminal for Power Supply	32	Y9301WL	1	Washer (with toothed lockwasher)
16	B9565FK	1	Cover for Power Supply				
17	B9565FB	3		33	Y9304LE	1	Button Head Screw, M3 x 4
18	B9566FC	3		34	B9565AY	3	Screw
19	B9565AZ	3		35	Y9406LB	1	Button Head Screw, M4 x 6
20	B9565BK	1	100VAC 50Hz Nameplate	36	B9565FF	1	Guide
	B9565BL	1	100VAC 60Hz Nameplate	37	Y9308LB	1	Button Head Screw, M3 x 8
	B9565BM	1	115VAC 50Hz Nameplate	38	Y9308LB	1	Button Head Screw, M3 x 8
	B9565BN	1	115VAC 60Hz Nameplate	39	Y9301BB	1	Nut
	B9565BP	1	200VAC 50Hz Nameplate	40	B9565FT	1	Wire Assembly
	B9565BQ	1	200VAC 60Hz Nameplate				
	B9565BR	1	230VAC 50Hz Nameplate				
	B9565BS	1	230VAC 60Hz Nameplate				

¹For Model 4156###AK-04

²For Model 4156###REM

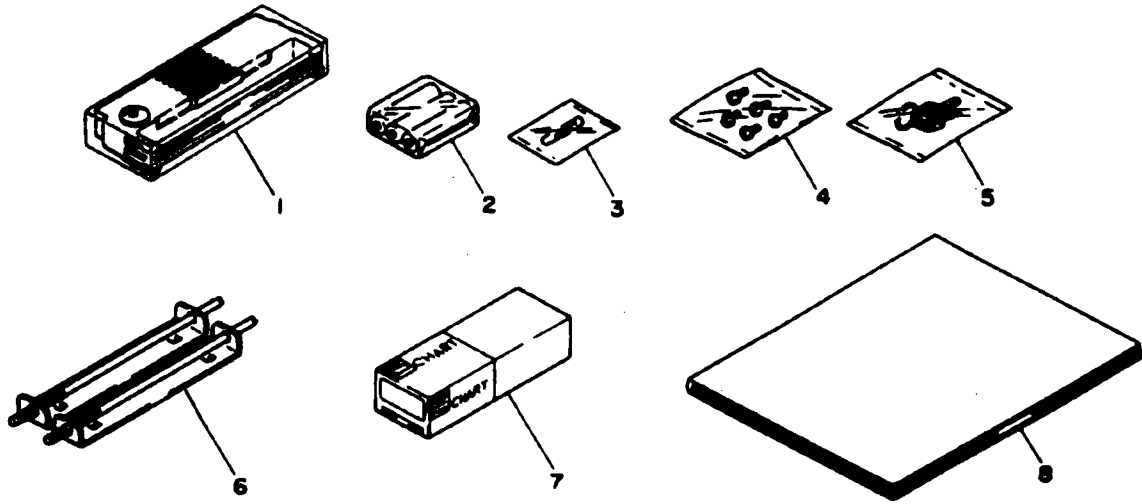
³For Model 4156###AK-04/REM

MODEL 4156/PBL PORTABLE TYPE (OPTION)



Item	Part No.	Qty	Description	Item	Part No.	Qty	Description
1	B9567BA	1	Handle Assembly	5	A9172KC	1	Connector
2	Y9518LB	1	Button Head Screw, M5 x 18	6	Y9306LE	2	Button Head Screw, M3 x 6
3	B9567BG	1	Bracket	7	B9425XK	1	Tube
4	B9565BK	1	100VAC 50Hz	8	Y9306LK	2	Button Head Screw, M3 x 6
	B9565BL	1	100VAC 60Hz	9	B9529LM	4	Bumper
	B9565BM	1	115VAC 50Hz	10	A9009WD	1	Power Cord (other than below)
	B9565BN	1	115VAC 60Hz	11	A9008WD	1	Power Cord (UL standard)
	B9565BP	1	200VAC 50Hz	12	A9011WD	1	Power Cord (VDE standard)
	B9565BQ	1	200VAC 60Hz	13	A9015WD	1	Power Cord (SAA standard)
	B9665BR	1	230VAC 50Hz				
B9565BS	1	230VAC 60Hz					

MODEL 4156 100MM MICRO RECORDER ACCESSORIES



Item	Part No.	Qty	Description
1	B9566DZ	1	Ribbon Cassette
2	A9024ED	3	Battery
3	A9049KF	1	Fuse (0.5A, 100VAC, time lag)
	A9078KF	1	Fuse (0.315A, 200VAC, time lag)
4	B9565AZ	5	Screw
5		1	Key
6	B9565CR	2	Bracket Assembly
7	B9565AW	1	Chart Paper ¹
8			Instruction Manual

¹ Chart paper is supplied in packs of 6 sheaves.

