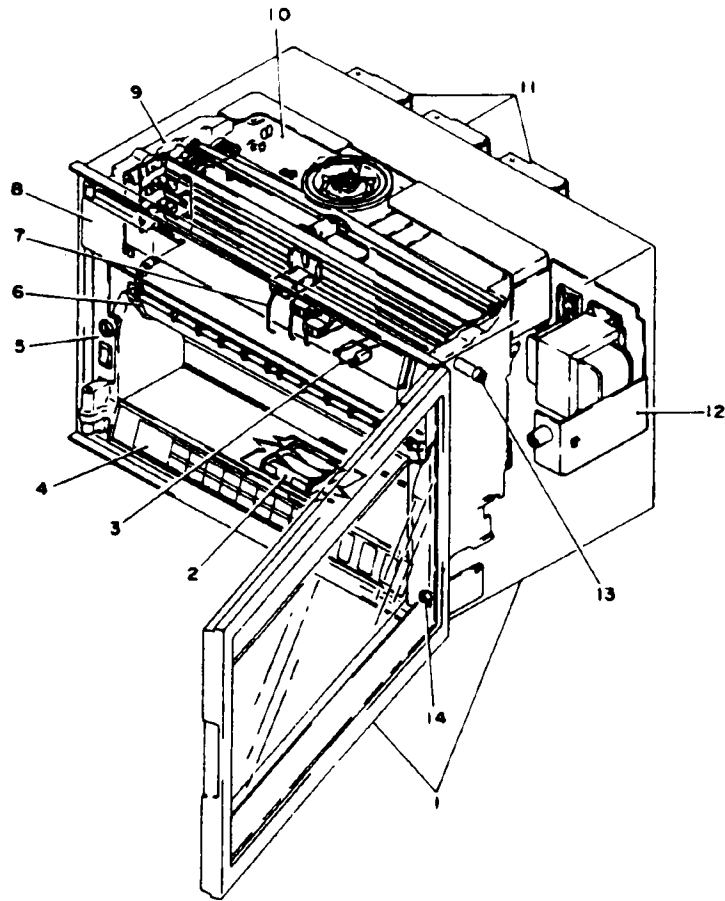
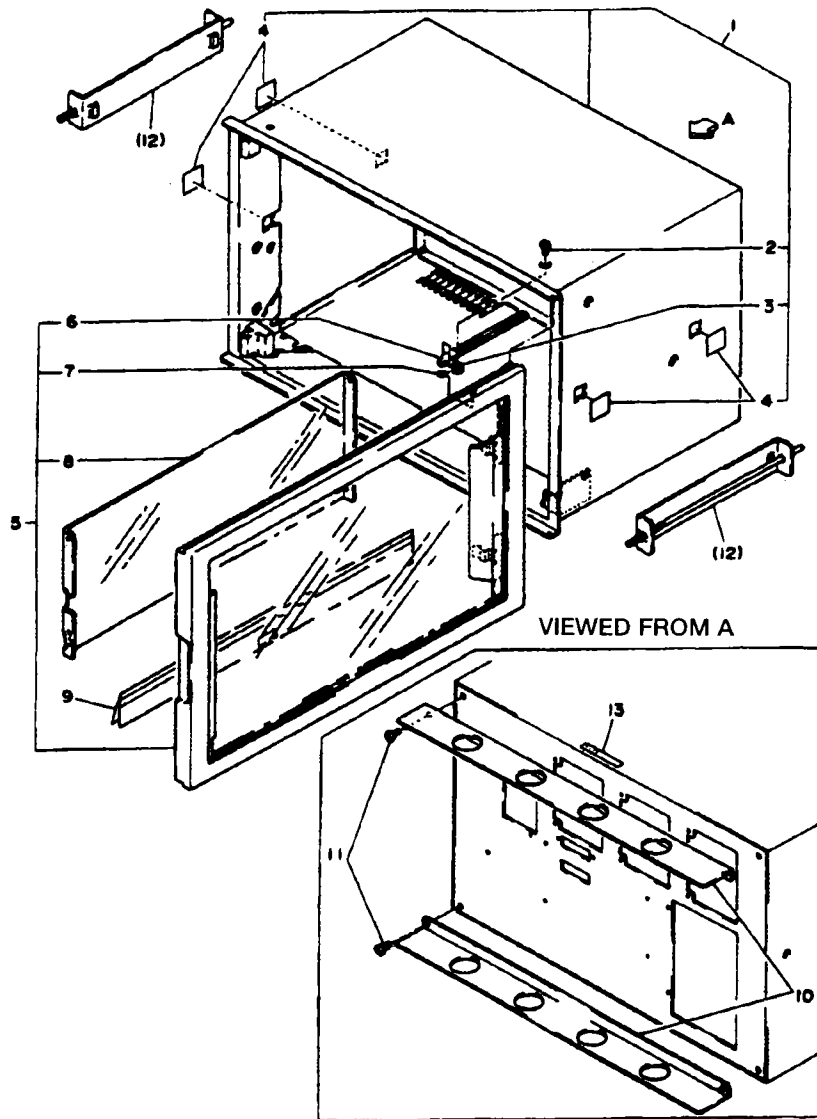


MODEL 4181, 4182 AND 4183 250MM MICRO RECORDER



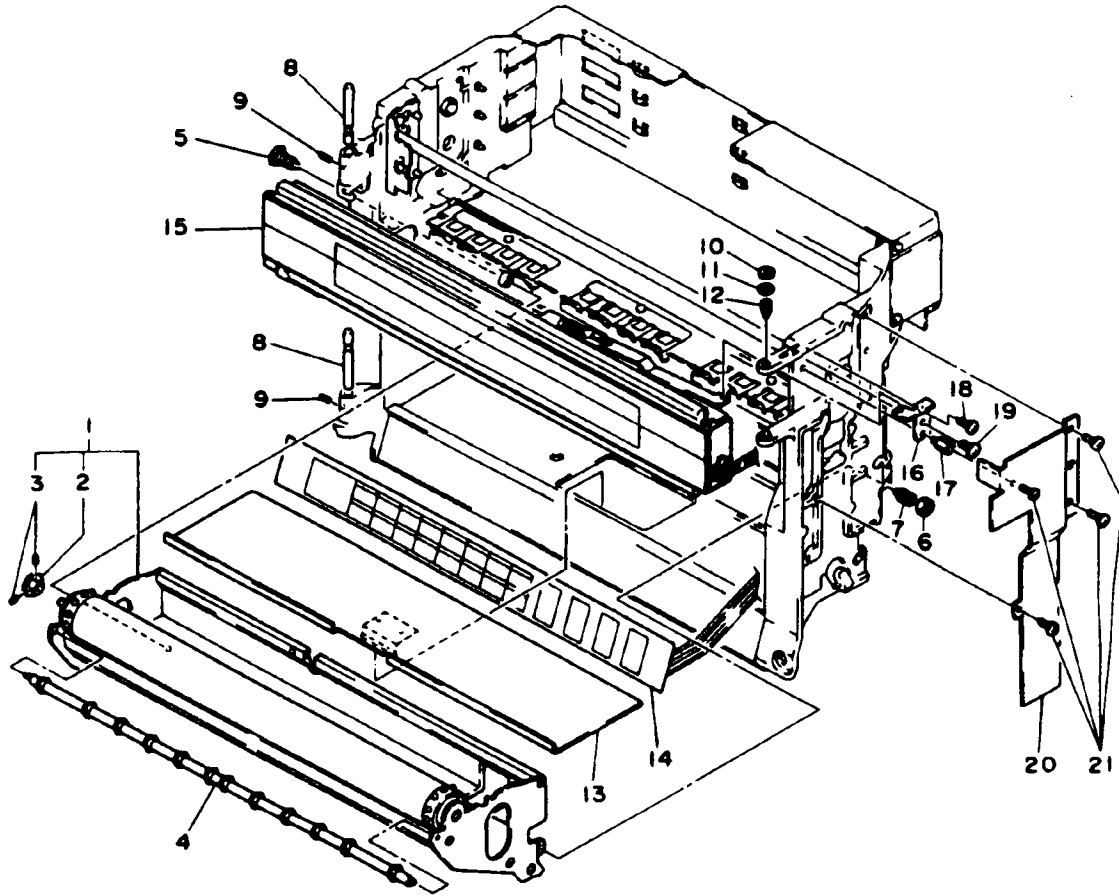
Item	Part No.	Description
1		Case and Door Assemblies
2		Battery Case
3		Plotter Pen
4		Keyboard
5		A/D Bracket Assembly
6		Chart Guide Assembly
7		Pen Assembly
8		Display Assembly
9		Main Frame Assembly
10		Servo Assembly
11		Option Terminal Assembly
12		Power Assembly
13	B9574DS	Internal Mechanism Stopper Screw
14	Y9508LS	Internal Mechanism Stopper Screw (Button Head Screw, M5 x 8)

MODEL 4181, 4182 AND 4183 250MM MICRO RECORDER CASE AND DOOR ASSEMBLIES



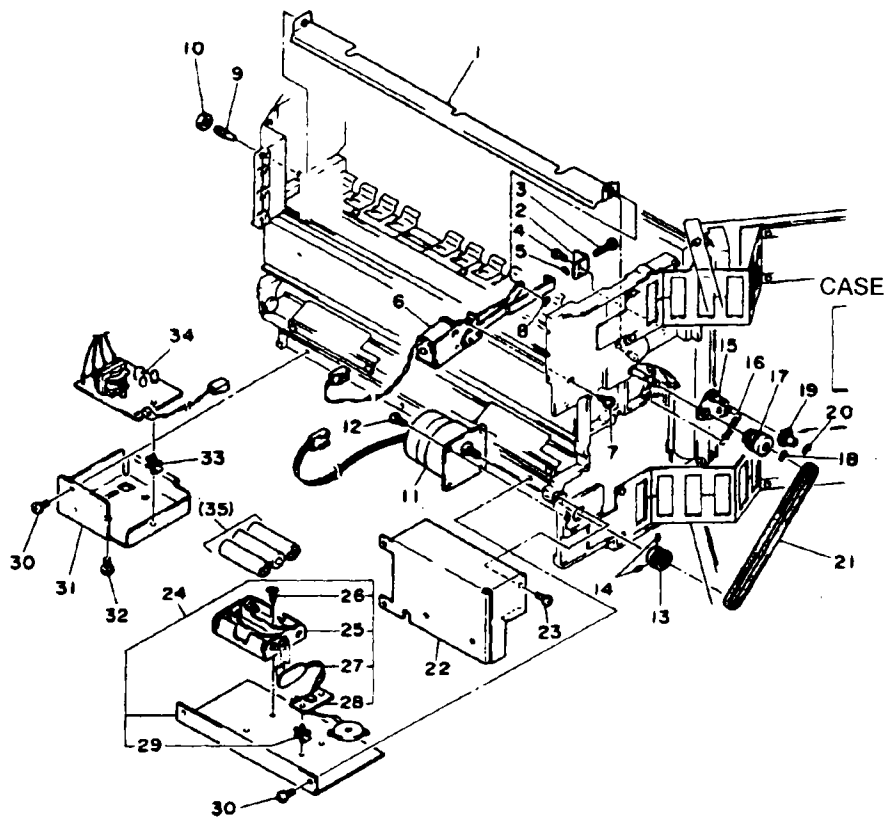
Item	Part No.	Qty	Description	Item	Part No.	Qty	Description
1	B9574BG	1	Case Assembly	9	B9574AT	1	Nameplate (for Model 4181)
2	Y9304LE	1	Button Head Screw, M3 x 4		B9574AU	1	Nameplate (for Model 4182)
3	B9573BQ	1	Rod		B9574AV	1	Nameplate (for Model 4183)
4	B9573AX	4	Plate	10	B9574BE	2	Bracket
5	B9574CA	1	Door Assembly	11	Y9405LE	4	Button Head Screw, M4 x 5
6	B9544DP	1	Plate	(12)	B9573BW	2	Bracket Assembly (accessory for panel mounting)
7	Y9300ET	1	E-Ring	13		1	Tag No. Plate
8	B9574CF	1	Plate				

MODEL 4181, 4182 AND 4183 250MM MICRO RECORDER MAIN FRAME ASSEMBLY



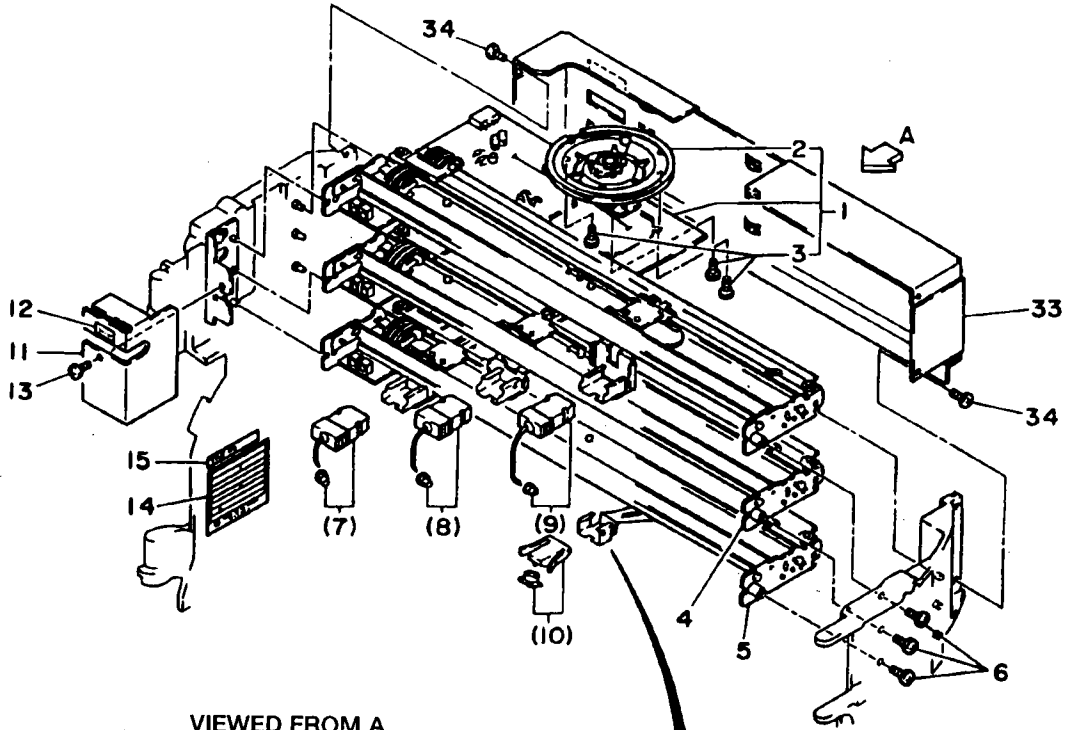
Item	Part No.	Qty	Description	Item	Part No.	Qty	Description
	B9574DA	1	Main Frame Assembly	11	Y9501WL	1	Washer (with toothed lockwasher)
1	B9574EA	1	Chart Guide Assembly	12	B9573FQ	1	Screw
2	B9541NR	1	Gear Assembly	13	B9574EU	1	Cover Assembly
3	Y9304SJ	2	Set Screw	14	B9574FW	1	Keyboard
4	B9574FA	1	Shaft Assembly	15	B9574QA	1	Display Assembly
5	E9660FM	1	Screw	16	B9574FE	1	Bracket Assembly
6	Y9601CS	1	Nut	17	B9573ZL	1	Rod
7	E9660GN	1	Screw	18	Y9304LE	1	Button Head Screw, M3 x 4
8	B9573FJ	2	Shaft	19	Y9406LE	1	Button Head Screw, M4 x 6
9	Y9304SJ	2	Set Screw	20	B9573ZK	1	Cover
10	B9573FR	1	Nut	21	Y9304LE	4	Button Head Screw, M3 x 4

MODEL 4181, 4182 AND 4183 250MM MICRO RECORDER MAIN FRAME ASSEMBLY

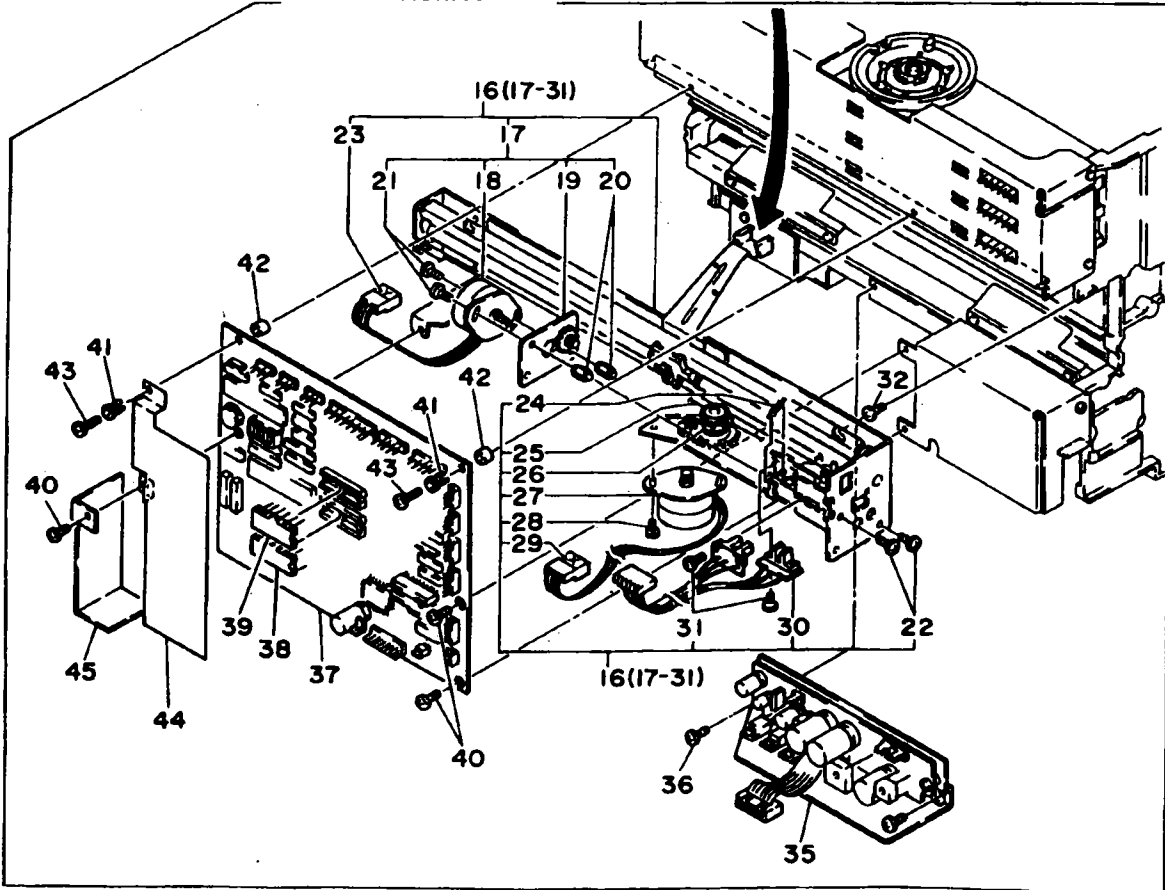


Item	Part No.	Qty	Description	Item	Part No.	Qty	Description
	B9574DA	1	Main Frame Assembly	18	Y9300ET	1	E-Ring
1	B9574EJ	1	Bracket Assembly	19	B9573DM	1	Gear Assembly
2	B9574EX	1	Bracket	20	Y9250ET	1	E-Ring
3	B9574EZ	1	Screw	21	B9573DU	1	Belt
4	Y9304LS	1	Button Head Screw, M3 x 4	22	B9574DT	1	Bracket
5	Y9150ET	2	E-Ring	23	Y9305TS	1	Tapping Screw, M3 x 5
6	B9574EE	1	Solenoid Assembly	24	B9574DN	1	Battery Assembly
7	Y9304LS	2	Button Head Screw, M3 x 4	25	B9565HL	1	Battery Case
8	Y9200ET	1	E-Ring	26	Y9304EB	2	Flat Head Screw, M3 x 4
9	B9574EN	1	Screw	27	A9007ED	1	Wire
10	Y9601CS	1	Nut	28	B9573UY	1	Buzzer Assembly
	B9574DB	1	L-Frame Assembly	29	B9573EZ	2	Stud
11	B9573RK	1	Motor	30	Y9308TS	3	Tapping Screw, M3 x 8
12	Y9305TS	2	Taping Screw, M3 x 5	31	B9573FH	1	Bracket
13	E9670LE	1	Pulley Assembly	32	B9573FT	2	Stud
14	Y9304SJ	2	Set Screw	33	B9573EZ	2	Stud
15	B9573DK	1	Plate Assembly	34	B9574QT	1	Inverter Assembly
16	B9573DY	1	Spring	(35)	A9005ED	3	Battery
17	B9573DQ	1	Pulley Assembly				

MODEL 4181, 4182 AND 4183 250MM MICRO RECORDER SERVO AND PLOTTER ASSEMBLIES



VIEWED FROM A



MODEL 4181, 4182 AND 4183 250MM MICRO RECORDER SERVO AND PLOTTER ASSEMBLIES

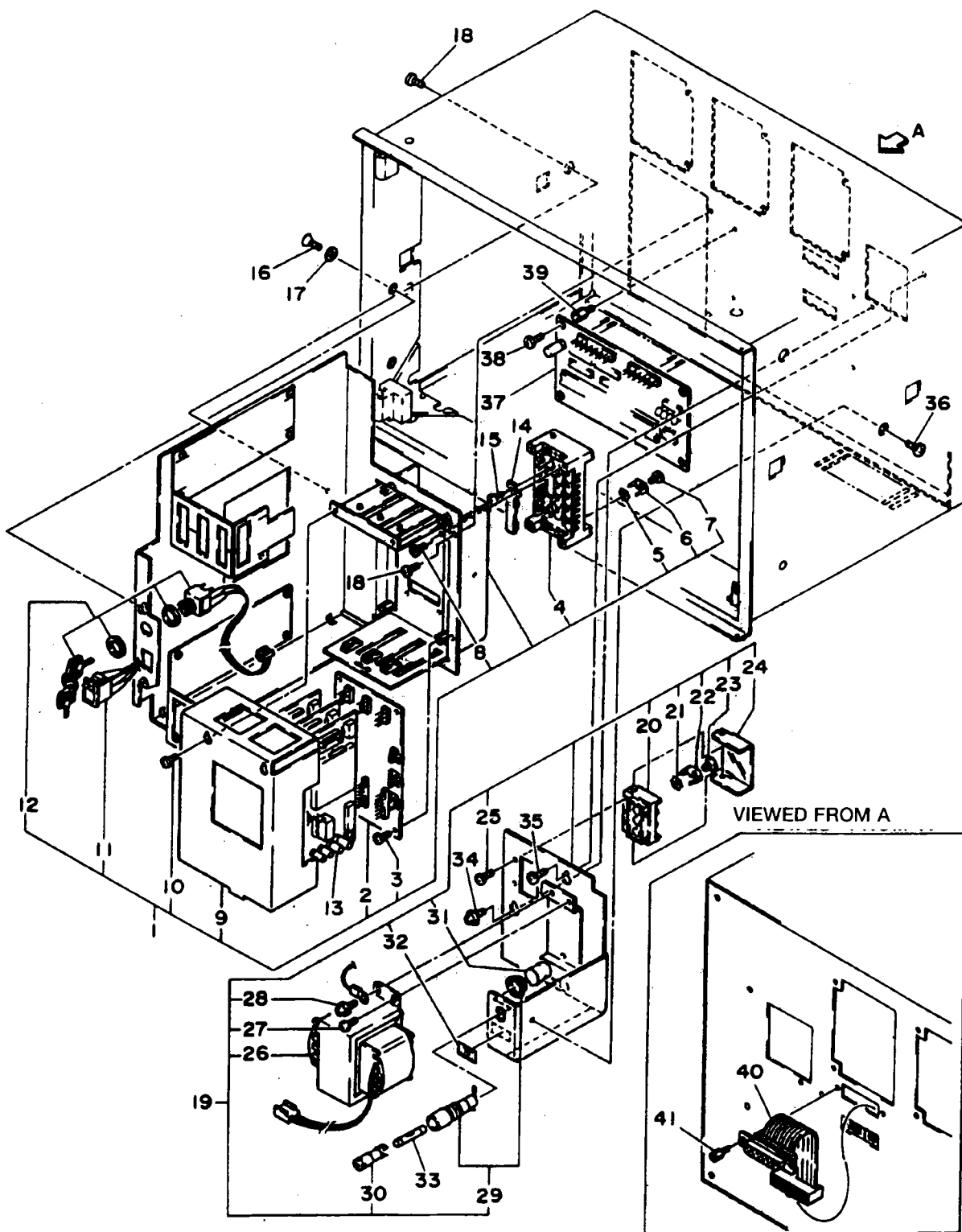
Item	Part No.	Model			Description
		4181	4182	4183	
1	B9574LA	1	1	1	Servo Assembly
	B9574MF	1	1	1	Servo Assembly
2	B9573MX	1	1	1	Motor Assembly
3	Y9304LB	3	3	3	Button Head Screw M3 x 4
4	B9574LB		1	1	Servo Assembly
5	B9574LC			1	Servo Assembly
6	Y9306LS	1	2	3	Button Head Screw M3 x 6
(7)	B9565YA	1	1	1	Pen Assembly
(8)	B9565YB		1	1	Pen Assembly
(9)	B9565YC			1	Pen Assembly
(10)	B9565ZA	1	1	1	Pen Assembly (for plotter)
11	B9574BW	1	1	1	Cover
12	B9573AW	1	1	1	Nameplate
13	Y9304LS	1	1	1	Button Head Screw M3 x 4
14		1	1	1	Nameplate
15		1	1	1	Tag No. Plate
	B9574DA	1	1	1	Main Frame Assembly
16	B9574HA	1	1	1	Plotter Assembly
17	B9573NK	1	1	1	Motor Assembly (for Y-Axis)
18	B9573NN	1	1	1	Motor Assembly
19	B9573NW	1	1	1	Plate Assembly
20	B9573NS	2	2	2	Rod
21	Y9204KS	2	2	2	Button Head Screw, M2.3 x 4
22	Y9308LS	2	2	2	Button Head Screw, M3 x 8
23		1	1	1	Nameplate Y
24	A9027KN	1	1	1	Spring
25	B9574HQ	1	1	1	Spring Assembly
26	A9026KN	1	1	1	Spring
27	B9573NN	1	1	1	Motor Assembly (for X-Axis)
28	Y9204KS	2	2	2	Button Head Screw, M2.3 x 4
29		1	1	1	Nameplate X
30	B9573HH	1	1	1	Sensor Assembly
31	Y9308LS	2	2	2	Button Head Screw, M3 x 8
32	Y9305TS	2	2	2	Tapping Screw, M3 x 5
33	B9574DJ	1	1	1	Bracket
34	Y9305TS	4	4	4	Tapping Screw, M3 x 5
35	B9574VW	1	1	1	Power PCB Assembly
36	Y9308TS	2	2	2	Tapping Screw, M3 x 8
37	B9574VA	1	1	1	CPU Board Assembly
38	B9574UA	1	1	1	ROM Assembly ¹
	B9574UC	1	1	1	ROM Assembly ²
39	B9574UB	1	1	1	ROM Assembly ¹
	B9574UD	1	1	1	ROM Assembly ²
40	Y9304LS	3	3	3	Button Head Screw, M3 x 4
41	A9044KY	2	2	2	Bushing
42	A9045KY	2	2	2	Bushing
43	Y9312LS	2	2	2	Button Head Screw, M3 x 12
44	B9574CX	1	1	1	Sheet
45	B9574CY	1	1	1	Cover

Accessory

NOTE

Model Code	Suffix Code	Input Type	Model Code	Suffix Code	Input Type
418	1	DCV,TC (JIS,ANSI) OC	418	5	DCV,TC (ANSI) OF
	2	RTD (JIS) OC		6	RTD (DIN) OF
	3	DCV,TC (ANSI) OC		7	DCV,TC (DIN) OC
	4	RTD (DIN) OC		8	RTD (DIN) OC

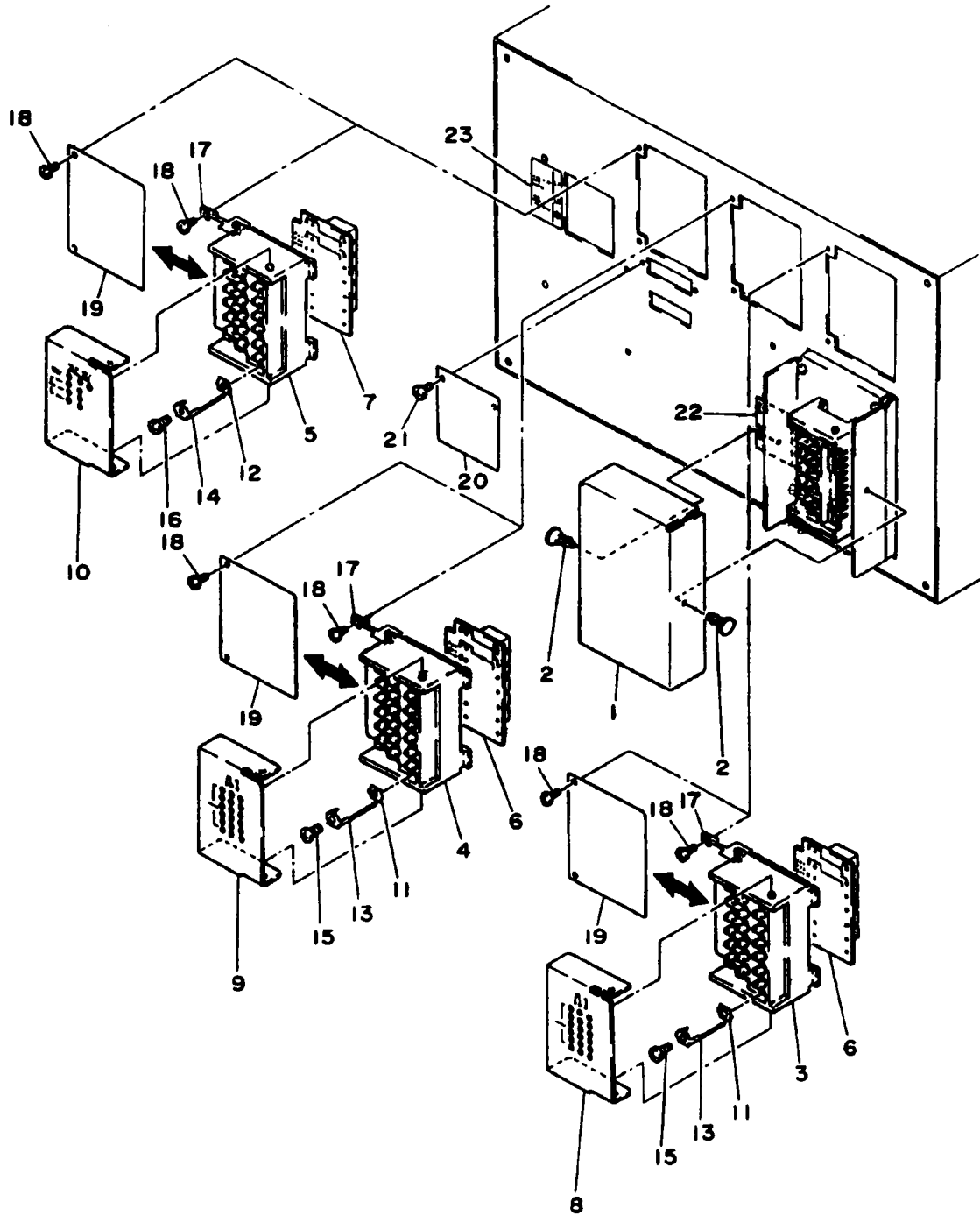
MODEL 4181, 4182 AND 4183 250MM MICRO RECORDER



MODEL 4181, 4182 AND 4183 250MM MICRO RECORDER

Item	Part No	Qty & Model			Description	
		4181	4182	4183		
1	B9574GF	1	1	1	A/D Bracket Assembly	
2	B9574VH	1	1	1	Mother Board	
3	Y9304LB	4	4	4	Button Head Screw, M3 x 4	
4	B9565FA	1	1	1	Terminal	
5	B9565FB	9	9	9	Nut	
6	B9565FC	9	9	9	Bracket	
7	B9565AZ	9	9	9	Screw	
8	Y9308TS	4	4	4	Tapping Screw, M3 x 8	
9	B9574GM	1	1	1	Cover	
10	Y9304LB	2	2	2	Button Head Screw, M3 x 4	
11	B9708FH	1	1	1	Switch	
12	B9544ZA	1	1	1	Switch	
13	B9574VE	1	2	3	A/D PCB Assembly	
14	B9565ER	1	1	1	PCB Assembly (DC V and TC Inputs)	
15	Y9310TS	1	1	1	Tapping Screw M3 x 10	
16	Y9406EE	2	2	2	F.H. Screw, M4 x 6	
17	Y9401WL	1	1	1	Washer (with toothed lockwasher)	
18	Y9304LS	3	3	3	Button Head Screw, M3 x 4	
19	B9573VA	1	1	1	Transformer Assembly (100VAC)	Select
	B9573VB	1	1	1	Transformer Assembly (110VAC)	
	B9573VC	1	1	1	Transformer Assembly (115VAC)	
	B9573VD	1	1	1	Transformer Assembly (200VAC)	
	B9573VE	1	1	1	Transformer Assembly (220VAC)	
	B9573VF	1	1	1	Transformer Assembly (230VAC)	
20	B9565FD	1	1	1	Terminal	
21	B9565FB	3	3	3	Nut	
22	B9565FC	3	3	3	Bracket	
23	B9565AZ	3	3	3	Screw	
24	B9565FK	1	1	1	Cover	
25	Y9308TS	2	2	2	Tapping Screw, M3 x 8	
26	B9573VH	1	1	1	Transformer Assembly (100VAC)	
	B9573VJ	1	1	1	Transformer Assembly (110VAC)	
	B9573VK	1	1	1	Transformer Assembly (115VAC)	
	B9573VL	1	1	1	Transformer Assembly (200VAC)	
	B9573VM	1	1	1	Transformer Assembly (220VAC)	
	B9573VN	1	1	1	Transformer Assembly (230VAC)	
27	Y9405LS	3	3	3	Button Head Screw, M4 x 5	
28	Y9406LK	1	1	1	B.H. Screw, M4 x 6 (with toothed lockwasher)	
29	A9072KF	1	1	1	Fuse Holder	
30	A9073KF	1	1	1	Fuse Carrier	
31	A9425XK	1	1	1	Tube	
32	B9573YL	1	1	1	Nameplate (100V series)	Select
	B9573YM	1	1	1	Nameplate (200V series)	
33	A9050KF	1	1	1	Fuse (100V AC series) (1A timelag)	Select
	A9049KF	1	1	1	Fuse (200V AC series) (0.5A timelag)	
34	Y9406LK	1	1	1	B.H. Screw, M4 x 6 (with toothed lockwasher)	
35	Y9405LS	2	2	2	Button Head Screw, M4 x 5	
36	Y9304LE	1	1	1	Button Head Screw, M3 x 4	
37	B9574VT	1	1	1	RS 232 C Assembly	Options
38	Y9304LS	4	4	4	Button Head Screw, M3 x 4	
39	B9574BV	4	4	4	Stud	
40	B9574VV	1	1	1	Connector	
41	B9574BU	2	2	2	Stud	

MODEL 4181, 4182 AND 4183 250MM MICRO RECORDER TERMINAL ASSEMBLY



MODEL 4181, 4182 AND 4183 250MM MICRO RECORDER TERMINAL ASSEMBLY

Item	Part No.	Qty	Description	
1	B9574BF	1	Cover	
2	B9544DL	2	Clip	
3	B9573BT	1	Terminal ¹	
4	B9573BT	1	Terminal ²	
5	B9573BT	1	Terminal ⁴	
6	B9573UT	1	Alarm Board Assembly ¹	
	B9573UT	2	Alarm Board Assembly ²	
7	B9574VP	1	Remote Assembly ³	
	B9574VQ	1	Remote Assembly ⁵	
	B9574VR	1	Remote Assembly ⁶	
8	B9574BS	1	Cover ¹	
9	B9573BF	1	Cover ²	
10	B9574BT	1	Cover ³	
11	B9565FB	18	Nut ³	
	B9565FB	36	Nut ¹	
12	B9565FB	3	Nut ⁵	
	B9565FB	6	Nut ⁶	
13	B9565FE	18	Bracket ³	
	B9565FE	36	Bracket ¹	
14	B9565FE	15	Bracket ⁴	
15	B9565AZ	18	Screw ³	
	B9565AZ	36	Screw ¹	
16	B9565AZ	3	Screw ⁵	
	B9565AZ	6	Screw ⁶	
17	B9573BV	3	Bracket ¹	
	B9573BV	3	Bracket ²	
	B9573BV	3	Bracket ³	
	B9573BV	3	Bracket ⁴	
	B9573BV	3	Bracket ⁵	
	B9573BV	3	Bracket ⁶	
18	Y9306LS	6	Button Head Screw, M3 x 6 ¹	
	Y9306LS	6	Button Head Screw, M3 x 6 ²	
	Y9306LS	6	Button Head Screw, M3 x 6 ³	
	Y9306LS	6	Button Head Screw, M3 x 6 ⁴	
	Y9306LS	6	Button Head Screw, M3 x 6 ⁵	
	Y9306LS	6	Button Head Screw, M3 x 6 ⁶	
19	B9573AY	3	Plate (For recorder without option terminal)	
20	B9574AY	1	Plate	For recorder without
21	Y9904LS	2	Button Head Screw, M2 6 x 4	RS232 C Assembly
22		1	Nameplate (For input terminal)	
23	Below		Nameplate	Select
	B9573YA	1	Nameplate 100V AC, 50Hz	
	B9573YB	1	Nameplate 100V AC, 60Hz	
	B9573YC	1	Nameplate 115V AC, 50Hz	
	B9573YD	1	Nameplate 115V AC, 60Hz	
	B9573YE	1	Nameplate 200V AC, 50Hz	
	B9573YF	1	Nameplate 200V AC, 60Hz	
	B9573YG	1	Nameplate 230V AC, 50Hz	
B9573YH	1	Nameplate 230V AC, 50Hz		

¹ For Model 418/AK-06/AK-12

² For Model 418/AK-12

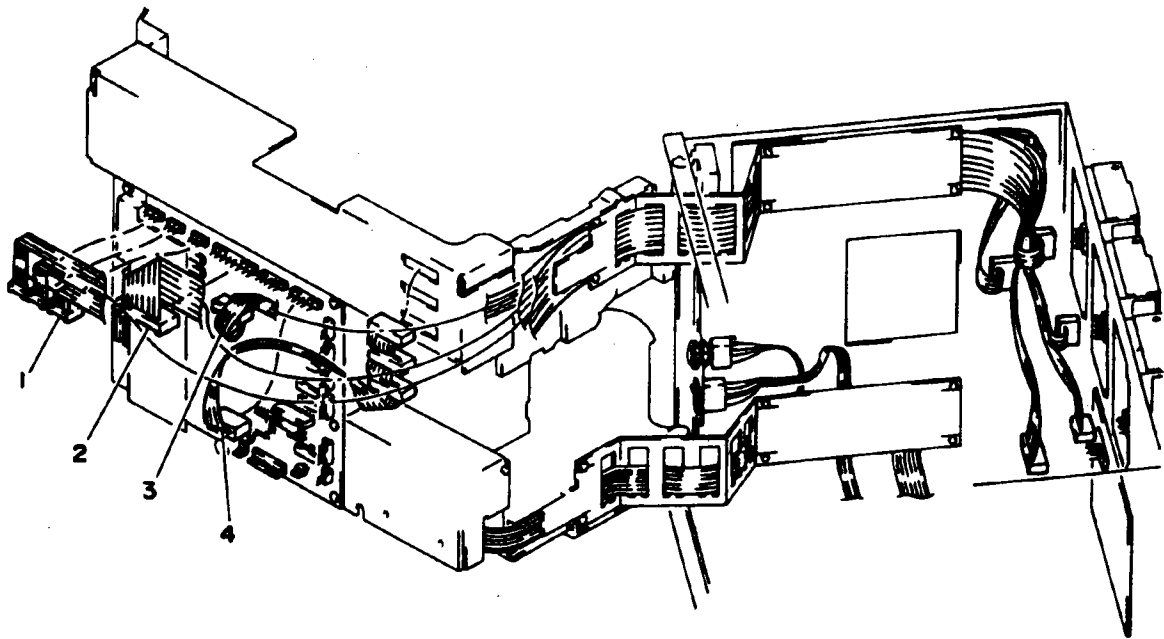
³ For Model 418/AK-06

⁴ For Model 418/REM/MSG

⁵ For Model 418/REM

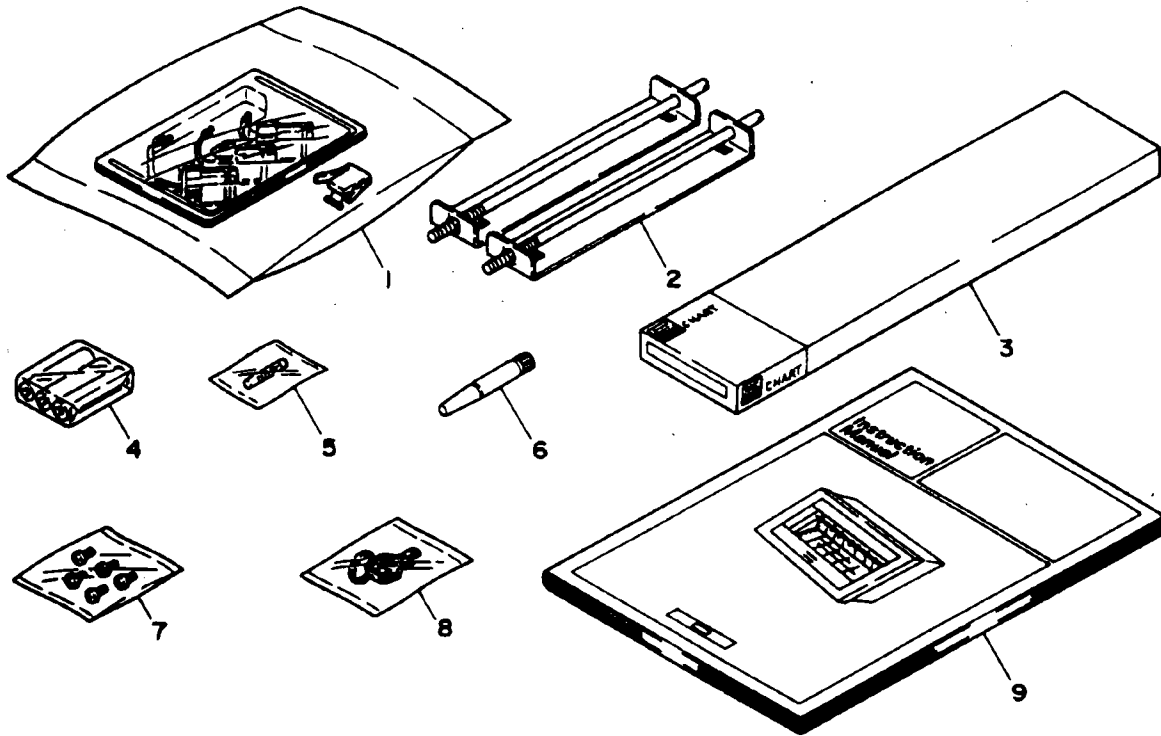
⁶ For Model 418/MSG

MODEL 4181, 4182 AND 4183 250MM MICRO RECORDER WIRE ASSEMBLY



Item	Part No.	Qty	Description
1	B9574WY	1	Wire Assembly (CPU-Alarm. Remote Assemblies)
2	B9574WZ	1	Wire Assembly (CPU-RS 232 C Assembly)
3	B9574WX	1	Wire Assembly (CPU-Mother Board Assembly)
4	B9574WW	1	Wire Assembly (CPU-Servo Assembly)

MODEL 4181, 4182 AND 4183 250MM MICRO RECORDER STANDARD ACCESSORIES



Item	Part No.	Qty & Model			Description
		4181	4182	4183	
1		1			Pen Assembly (1st pen & plotter pen) ¹
			1		Pen assembly (1st, 2nd pens & plotter pen) ¹
				1	Pen Assembly (1st, 2nd, 3rd pens & plotter pen) ¹
2	B9573BW	2	2	2	Bracket Assembly (for panel mounting)
3		1	1	1	Chart ²
4	A9005ED	3	3	3	Battery
5	A9050KF	1	1	1	Fuse (100V series) (1A, timelag)
	A9049KF	1	1	1	Fuse (200V series) (0.5A timelag)
6		1	1	1	Lubricating oil ³
7	B9565AZ	5	5	5	Screw (for terminal)
8		1	1	1	Key
9	B9573AG	1	1	1	Instruction Manual

Note:
¹Pen package is supplied in packs of 3 pcs - order part number see below.



Part No.	Qty	Description
B9565AP	3	1st Pen (red)
B9565AQ	3	2nd Pen (green)
B9565AR	3	3rd Pen (blue)
B9565AS	3	Plotter Pen (purple)

Note:
²Chart paper is supplied in packs of 6 sheaves-order part number B9538RN.
³Lubricant is supplied in packs of 6 bottles-order part number G9621AD.
 1,2,3One pack is the minimum order quantity.

