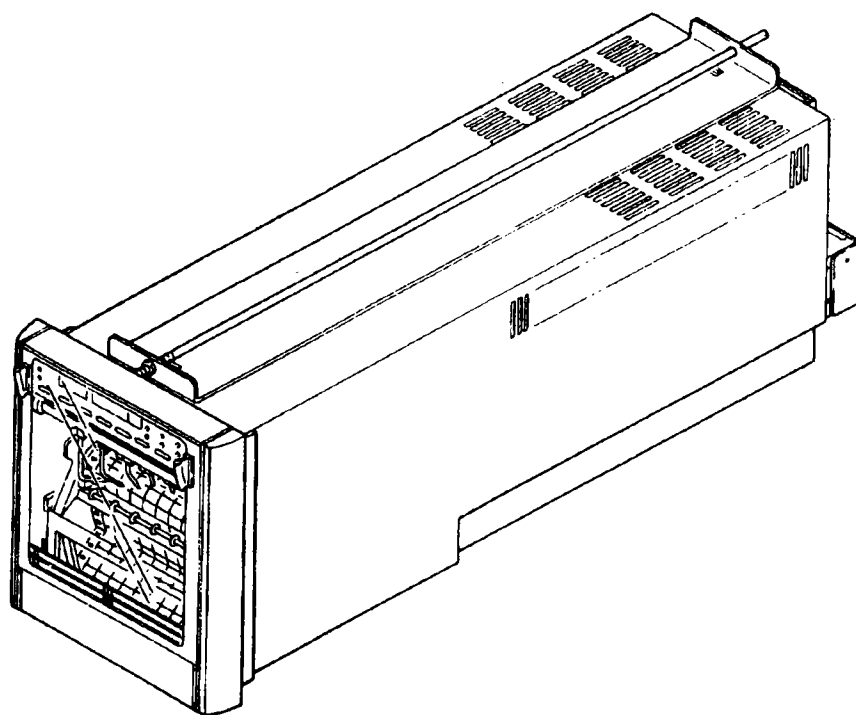
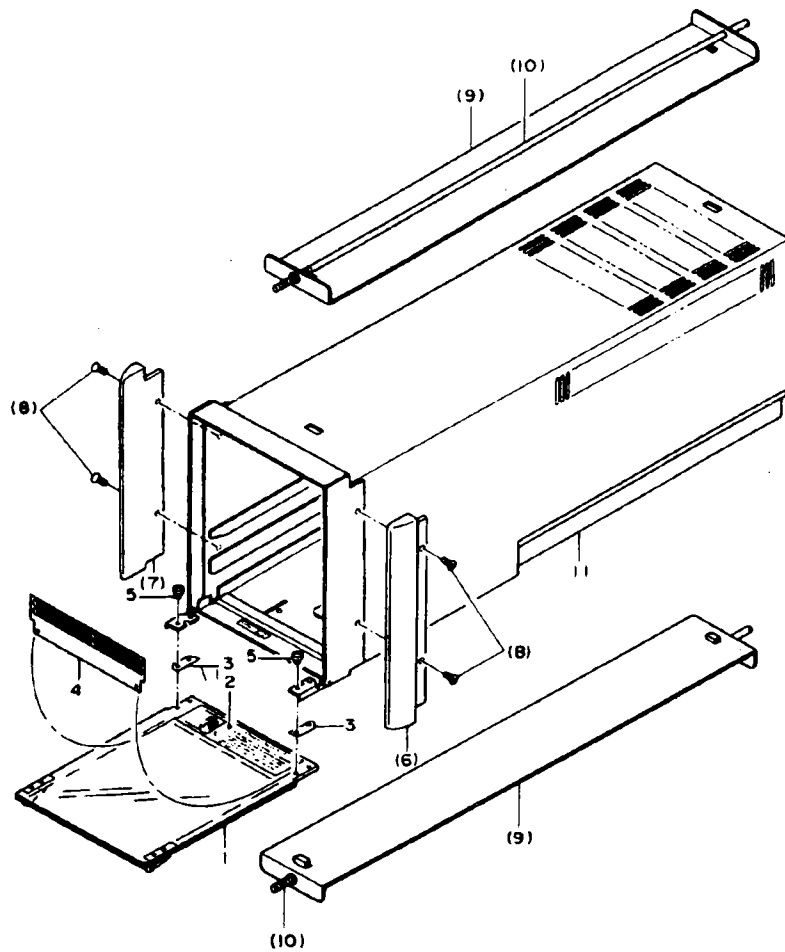


MODEL 4351, 4352, 4353 AND 4354 μ R100F RECORDER

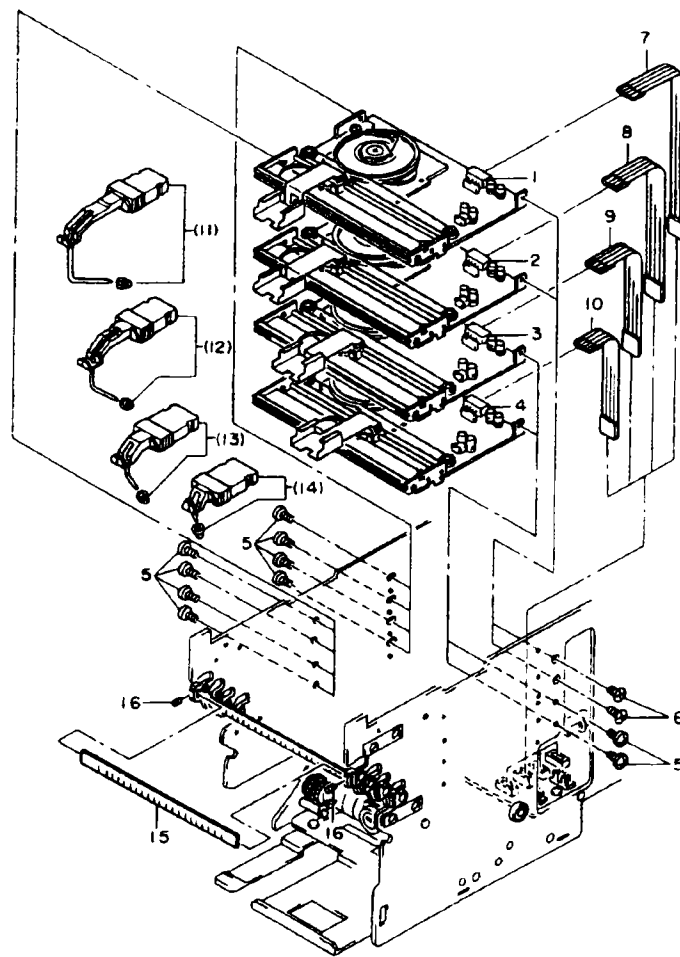


MODEL 4351, 4352, 4353 AND 4354 μR100F RECORDER



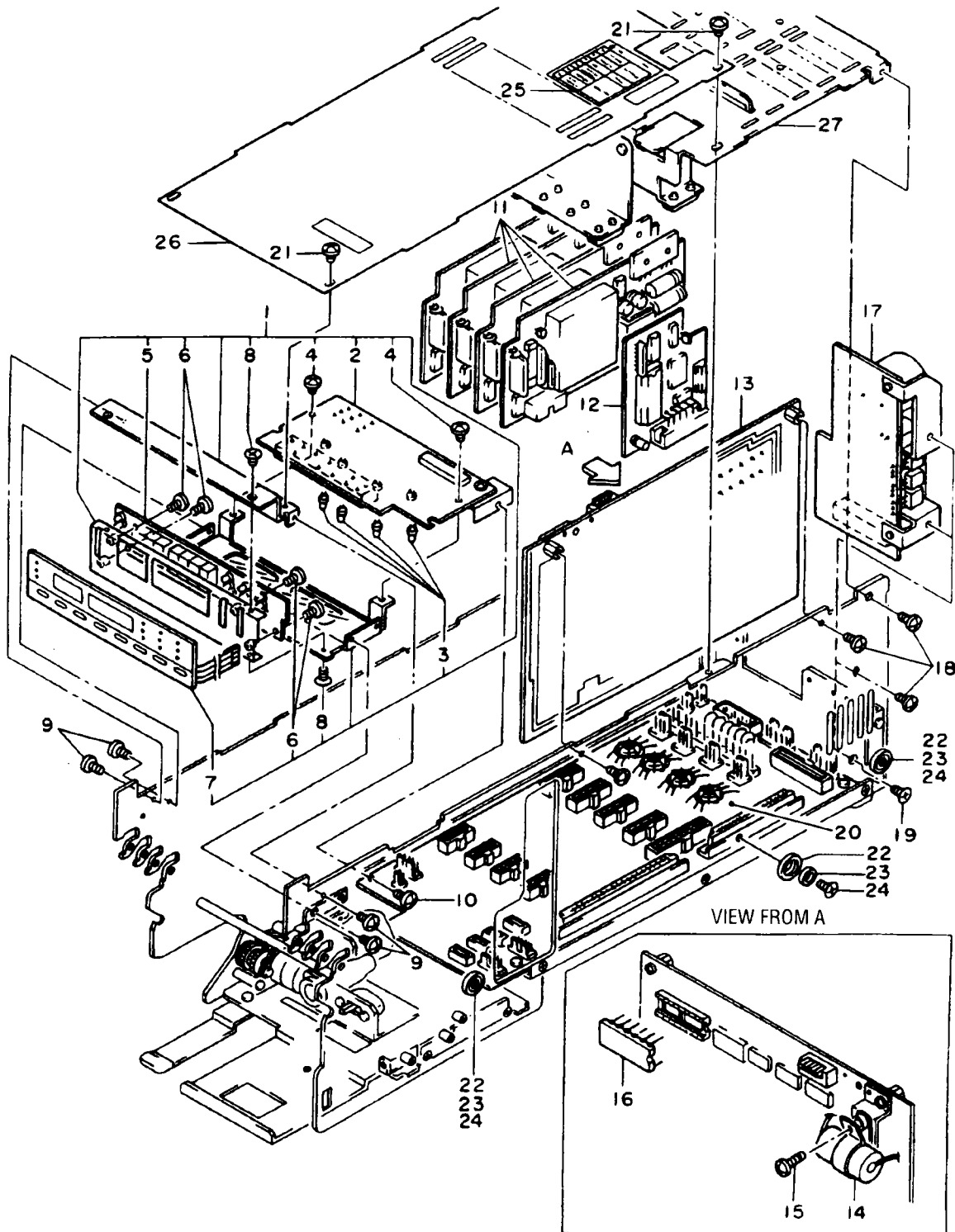
Item	Part No.	Qty				Description	
		4351	4352	4353	4354		
1	B9625AF	1	1	1	1	Door Assembly	
2	B9625AE	1	1	1	1	Nameplate (Japanese Version)	Model 435# /MTS
	B9625AJ	1	1	1	1	Nameplate (English Version)	
3		2	2	2	2	Sheet	
4	B9624LF	1				Tag No. Sheet	
	B9625LG		1			Tag No. Sheet	
	B9625LH			1		Tag No. Sheet	
	B9625AC				1	Tag No. Sheet	
5	Y9204KE	4	4	4	4	Button Head Screw, M2.3 x 4	
(6)	B9625KB	1	1	1	1	Frame (right side)	Model 435# /MTS
(7)	B9625KA	1	1	1	1	Frame (left side)	
(8)	Y9306ES	4	4	4	4	Flat Head Screw, M3 x 6	
(9)	E9710CN	2	2	2	2	Bracket	Accessory
(10)	E9710CP	2	2	2	2	Shaft	
11		1	1	1	1	Case Assembly	

MODEL 4351, 4352, 4353 AND 4354 μR100F RECORDER



Item	Part No.	Qty				Description
		4351	4352	4353	4354	
1	B9625EL	1	1	1	1	Servo Assembly (for 1st pen)
2	B9588JA		1	1	1	Servo Assembly (for 2nd pen)
3	B9588JB			1	1	Servo Assembly (for 3rd pen)
4	B9588JC				1	Servo Assembly (for 4th pen)
5	B9565AY	2	4	7	10	Screw
6	Y9304EE	1	2	2	2	Flat Head Screw, M3 x 4
7	B9625ZC	1	1	1	1	Wire (1st pen servo - mother board)
8	B9625ZD		1	1	1	Wire (2nd pen servo - mother board)
9	B9588DZ			1	1	Wire (3rd pen servo - mother board)
10	B9588DZ				1	Wire (4th pen servo - mother board)
(11)		1	1	1	1	Pen Assembly (1st pen)
(12)			1	1	1	Pen Assembly (2nd pen)
(13)				1	1	Pen Assembly (3rd pen)
(14)					1	Pen Assembly (4th pen)
15	B9588DC	1	2	3	4	Scale Assembly
16	B9588DH	2	4	6	8	Set Screw

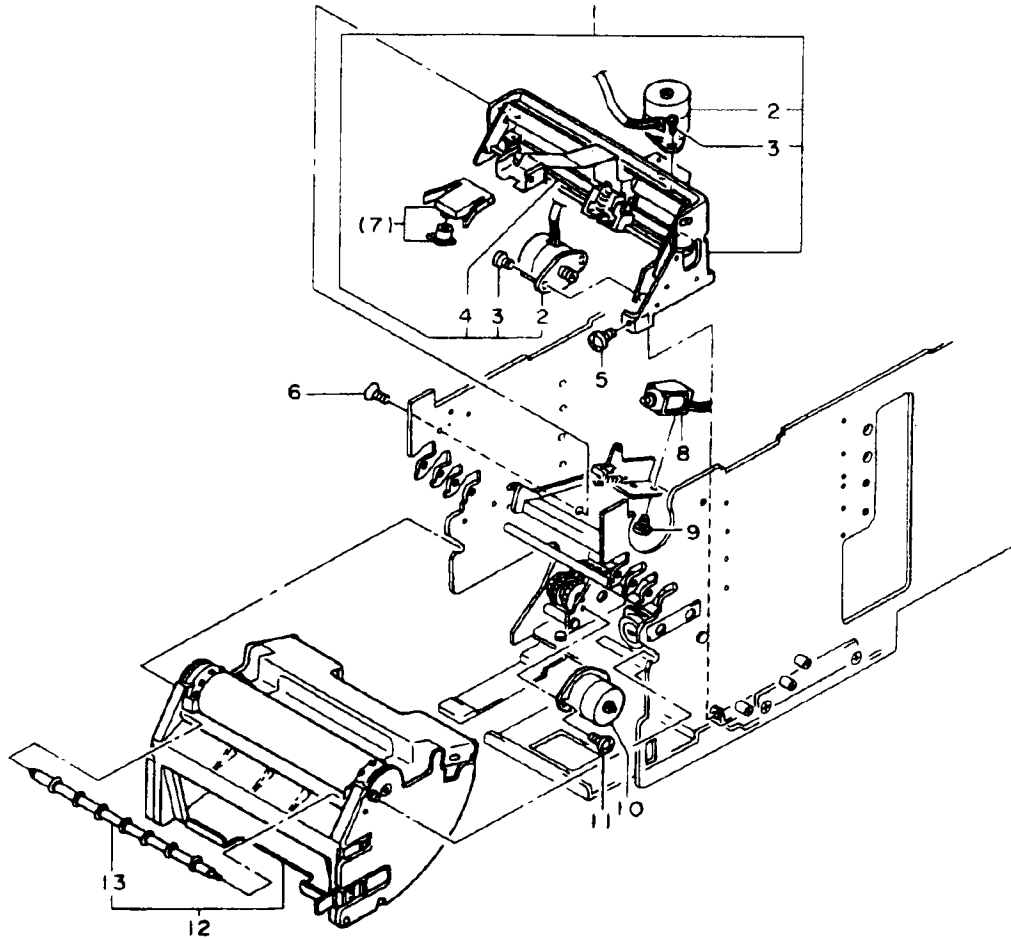
MODEL 4351, 4352, 4353 AND 4354 μR100F RECORDER



MODEL 4351, 4352, 4353 AND 4354 μR10F RECORDER

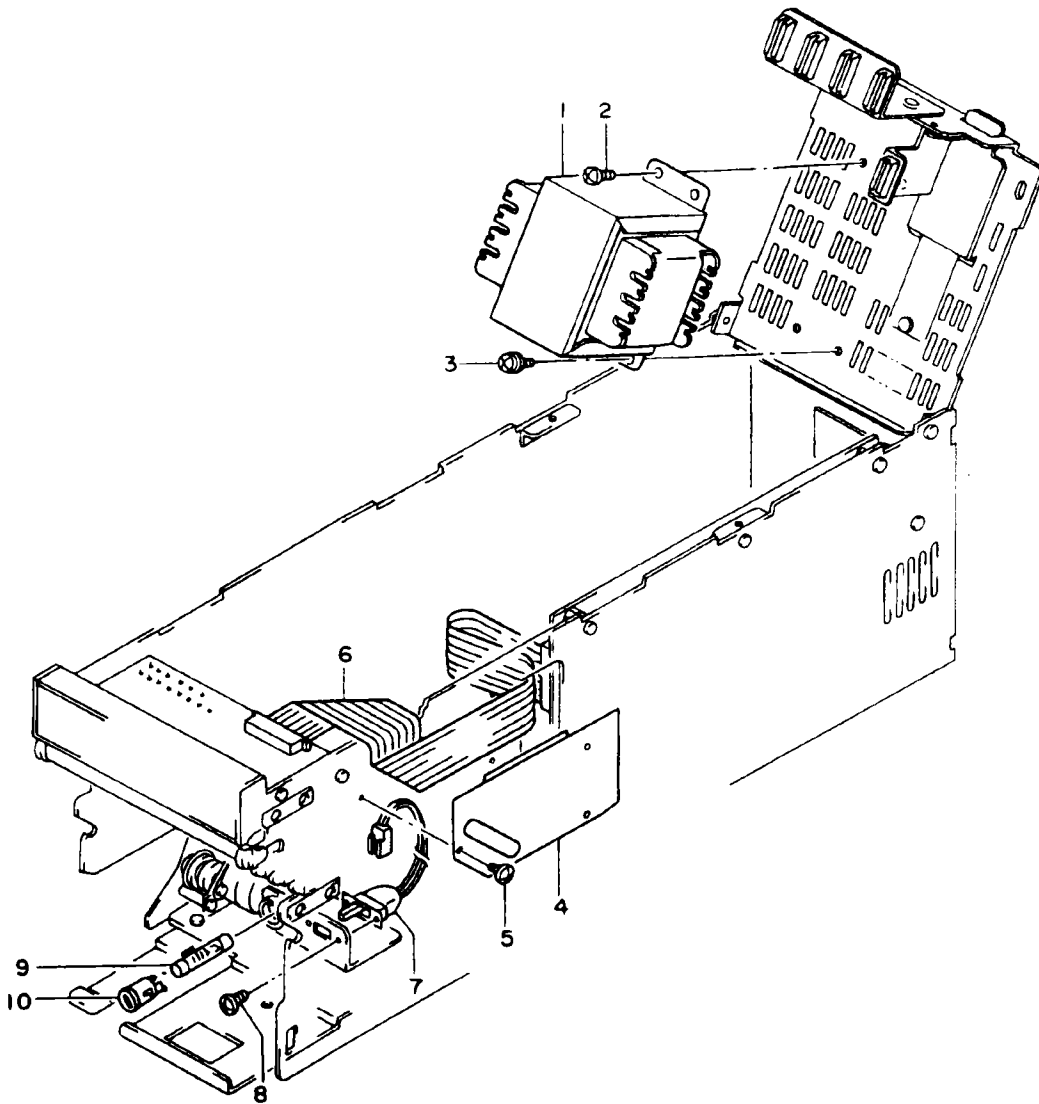
Item	Part No.	Qty				Description
		4351	4352	4343	4354	
1	B9625CD	1	1	1	1	Display Unit Assembly
2	B9625CH	1	1	1	1	Display Control Board Assembly
3	B9625CM	4	4	4	4	Lamp
4	Y9304LB	2	2	2	2	Button Head Screw, M3 x 4
5	B9625CE	1	1	1	1	Display Board Assembly
6	Y9203KB	4	4	4	4	Button Head Screw, M2.3 x 3
7	B9625CR	1	1	1	1	Control Panel Switch
8	B9625GV	4	4	4	4	Flat Head Screw, M1.7 x 3
9	Y9204KE	6	6	6	6	Button Head Screw, M2.3 x 4
10	B9565AY	1	1	1	1	Screw
11	B9588PM	1	2	3	4	A/D Board Assembly
	B9588PN	1	2	3	4	A/D Board Assembly
	B9625JL	1	2	3	4	A/D Board Assembly
	B9625JM	1	1	1	1	A/D Board Assembly
12	B9588NK	1	1	1	1	RS422A Board Assembly
13	B9625ET	1	1	1	1	CPU Board Assembly
14	B9588ZB	1	1	1	1	Battery
15	Y9308LB	1	1	1	1	Button Head Screw, M3 x 8
16	B9625YA	1	1	1	1	ROM Assembly
17	B9625EX	1	1	1	1	Power Board Assembly
18	B9565AY	5	5	5	5	Screw
19	Y9304EE	1	1	1	1	Flat Head Screw, M3 x 4
20	B9625EQ	1	1	1	1	Mother Board
21	B9565AY	4	4	4	4	Screw
22	B9625GJ	6	6	6	6	Roller (3 ea. for left & right sides)
23	B9625GH	6	6	6	6	Shaft (3 ea. for left & right sides)
24	Y9306ES	6	6	6	6	Flat Head Screw, M3 x 6
25		1	1	1	1	Nameplate (Japanese Version)
		1	1	1	1	Nameplate (English Version)
26		1	1	1	1	Plate
27		1	1	1	1	Bracket Assembly

MODEL 4351, 4352, 4353 AND 4354 μR100F RECORDER



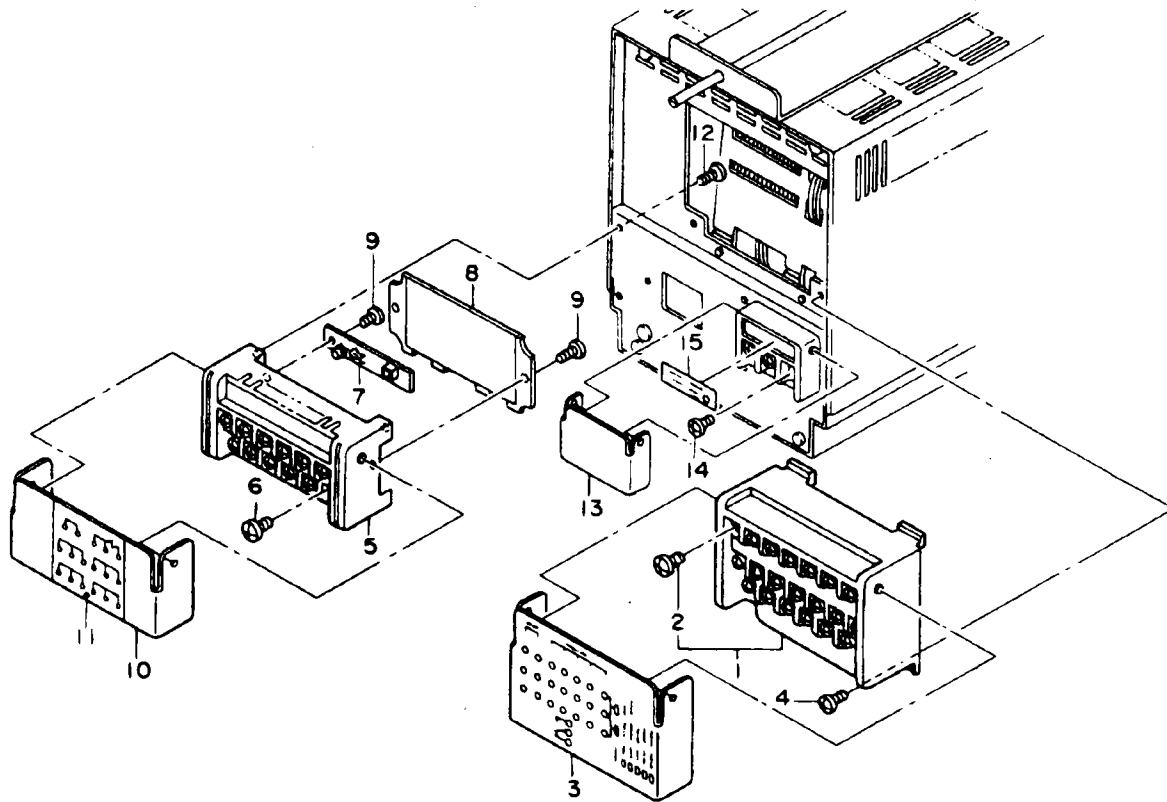
Item	Part No.	Qty	Description
1	B9565SR	1	Plotter Assembly
2	B9565JH	2	Motor Assembly
3	Y9203JB	4	Pan Head Screw, M2.3 x 3
4	B9565TR	1	String Assembly
5	Y9304LE	1	Button Head Screw, M3 x 5
6	Y9304EE	1	Flat Head Screw, M3 x 4
(7)		1	Pen Assembly
8	B9588ZJ	1	Solenoid
9	Y9203JB	2	Pan Head Screw, M2 x 3
10	B9565JH	1	Motor Assembly
11	Y9203JS	2	Pan Head Screw, M2.3 x 3
12	B9625AM	1	Chart Cassette Assembly
13	B9625JC	1	Shaft Assembly

MODEL 4351, 4352, 4353 AND 4354 μR100F RECORDER



Item	Part No.	Qty	Description
1	B9625FK	1	Transformer (100V series)
	B9625FL	1	Transformer (200V series)
2	Y9406LS	2	Button Head Screw, M4 x 6
3	Y9406LK	2	Button Head Screw, M4 x 6 (with toothed lockwasher)
4		1	Cover
5	Y9203KE	3	Button Head Screw, M2.3 x 3
6	B9590NA	1	Cable (display unit - CPU board)
7	B9625DC	1	POC Switch Assembly
8	Y9203JS	2	Pan Head Screw, M2 x 3
9	A9049KF	1	Fuse (0.5A, 100V series, time lag)
	A9078KF	1	Fuse (0.315A, 200V series, time lag)
10		1	Fuse Holder

MODEL 4351, 4352, 4353 AND 4354 μR100F RECORDER



Item	Part No.	Qty	Description	Item	Part No.	Qty	Description
1	B9625HA	1	Terminal Assembly ¹	9	Y9310TS	3	Tapping Screw, M3 x 10
	B9625HB	1	Terminal Assembly ²	10	B9565FP	1	Terminal Cover
	B9625HC	1	Terminal Assembly ³	11	B9625AX	1	Nameplate
	B9625HD	1	Terminal Assembly ⁴	12	Y9310TS	4	Tapping Screw, M3 x 10
	B9625HW	1	Terminal Assembly ⁵	13	B9565FK	1	Terminal Cover
	B9625HX	1	Terminal Assembly ⁶	14	B9565AZ	3	Screw
	B9625HY	1	Terminal Assembly ⁷	15	B9588BP	1	100VAC, 50Hz Nameplate
2	B9625AZ	3 to 21	Screw		B9588BQ	1	115VAC, 50Hz Nameplate
3	B9625FH	1	Terminal Cover		B9588BR	1	200VAC, 50Hz Nameplate
4	Y9306LE	2	Button Head Screw, M3 x 6		B9588BS	1	230VAC, 50Hz Nameplate
5		1	Terminal (for input)		B9588BP	1	100VAC, 60Hz Nameplate
6	B9565AZ	12	Screw		B9588BQ	1	115VAC, 60Hz Nameplate
7	B9565ER	1	RJC Board Assembly		B9588BR	1	200VAC, 60Hz Nameplate
8		1	Plate		B9588BS	1	230VAC, 60Hz Nameplate

Suffix Code options on 435#:

¹ /AK-04 /REM /RS422A

² /REM /RS422A

³ /AK-04 /RS422A

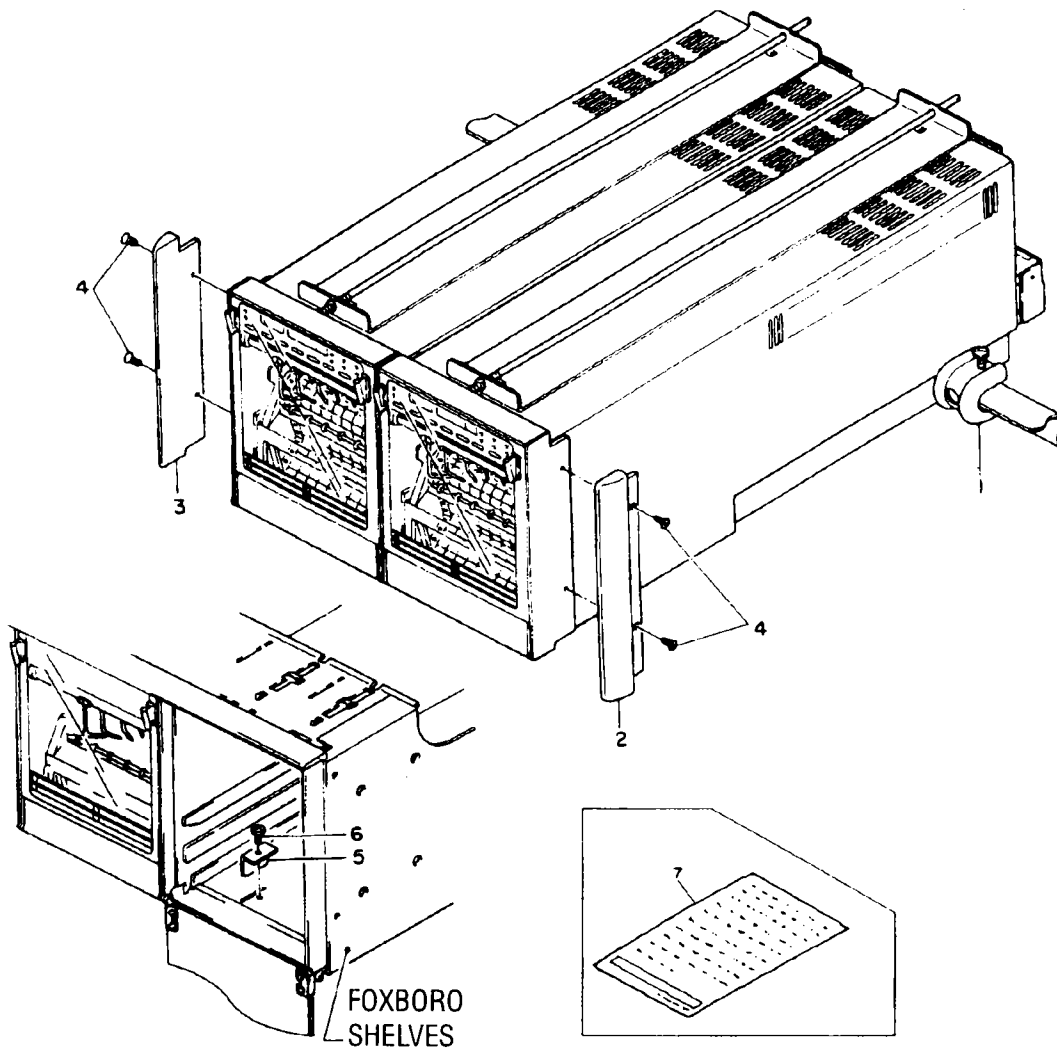
⁴ /RS422A

⁵ /AK-04

⁶ /REM

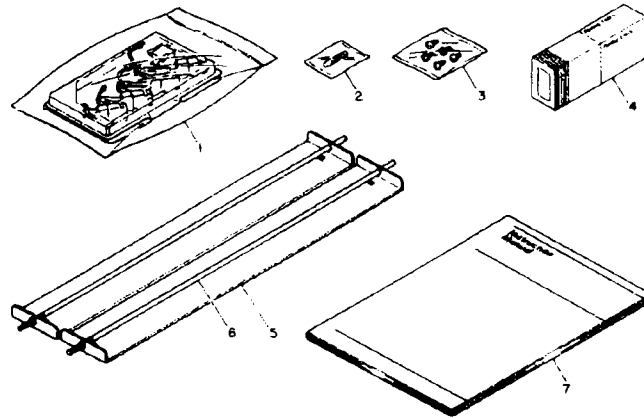
⁷ /AK-04 /REM

MODEL 4351, 4352, 4353 AND 4354 μR100F RECORDER



Item	Part No.	Qty				Description
		4351	4352	4353	4354	
1	E9310DT	1	1	1	1	Vise (2pcs./set)
2	B9625SB	1	1	1	1	Frame
	B9625KE	1	1	1	1	Frame
3	B9625SA	1	1	1	1	Frame
	B9625KD	1	1	1	1	Frame
4	Y9306ES	4	4	4	4	Flat Head Screw, M3 x 6
5	B9625KC	1	1	1	1	Stopper Bracket
6	Y9304LS	1	1	1	1	Button Head Screw, M3 x 4
7	B9595QB	1	2	3	4	Unit Identification Label

MODEL 4351, 4352, 4353 AND 4354 μR100F RECORDER STANDARD ACCESSORIES

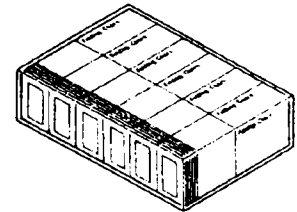
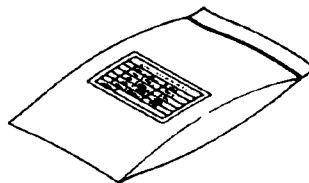


Item	Part No.	Qty				Description
		4351	4352	4353	4354	
1		1				Pen Assembly (1st pen and plotter pen) ¹
			1			Pen Assembly (1st, 2nd pens and plotter pen) ¹
				1		Pen Assembly (1st, 2nd, 3rd pens and plotter pen) ¹
					1	Pen Assembly (1st, 2nd, 3rd, 4th pens and plotter pen) ¹
2	A9049KF	1	1	1	1	Fuse (0.5A, 100V series, time lag)
	A9078KF	1	1	1	1	Fuse (0.315A, 200V series, time lag)
3	B9565AZ	5	5	5	5	Screw (for input or alarm terminals)
4	B9565AW	1	1	1	1	Chart Paper ²
5	E9710CN	2	2	2	2	Bracket
6	E9710CP	2	2	2	2	Shaft
7		1	1	1	1	Instruction Manual

SPARES

¹Pen package is supplied in packs of 3 pieces.

Part No.	Qty	Description
B9625AY	3	1st Pen (violet)
B9588KG	3	2nd Pen (red)
B9588KH	3	3rd Pen (green)
B9588KJ	3	4th Pen (blue)
B9565AS	3	Plotter pen (purple)



²Minimum order quantity 6 packs, 1 chart/pack.