

General Specifications

Model SHUR
Case (Rack-Mounting)

YEW SERIES 80

GS 01B04F02-E

The SHUR Rack-Mounting Case is used by all YEW SERIES 80 rack-mounting instruments. This case can be ordered separately from (prior to) the plug-in instrument modules themselves, and pre-wired.



■ STANDARD SPECIFICATIONS

- Mounting: Rack mounting.
- Wiring:
 - Signal Wiring to/from the Field: ISO M4 size (4 mm) screws on terminal block.
- Material: Aluminium.
- External Dimensions: 180 (H) × 48 (W) × 300 ((D):depth behind panel)(mm).
- Mounting Holes: 5.8 mm dia.
- Weight: 1 kg.

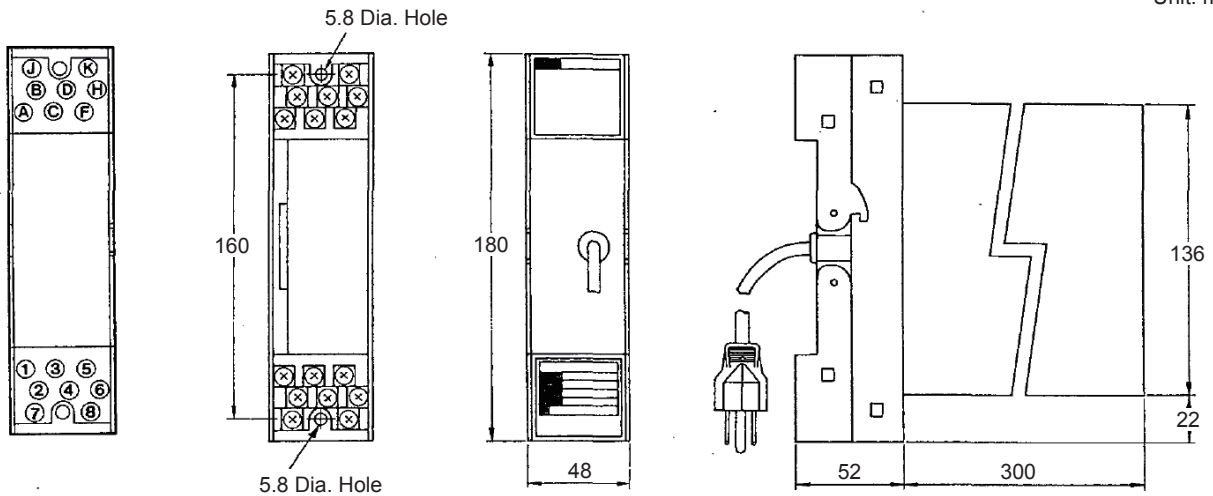
■ MODEL AND SUFFIX CODES

| Model | Suffix Codes | Description |
|------------|--------------|-------------|
| SHUR | | Housing kit |
| | -000..... | Always 000 |
| Style Code | *A..... | Style A |

EXTERNAL DIMENSIONS AND TERMINAL LAYOUT

Terminal Layout

Unit: mm

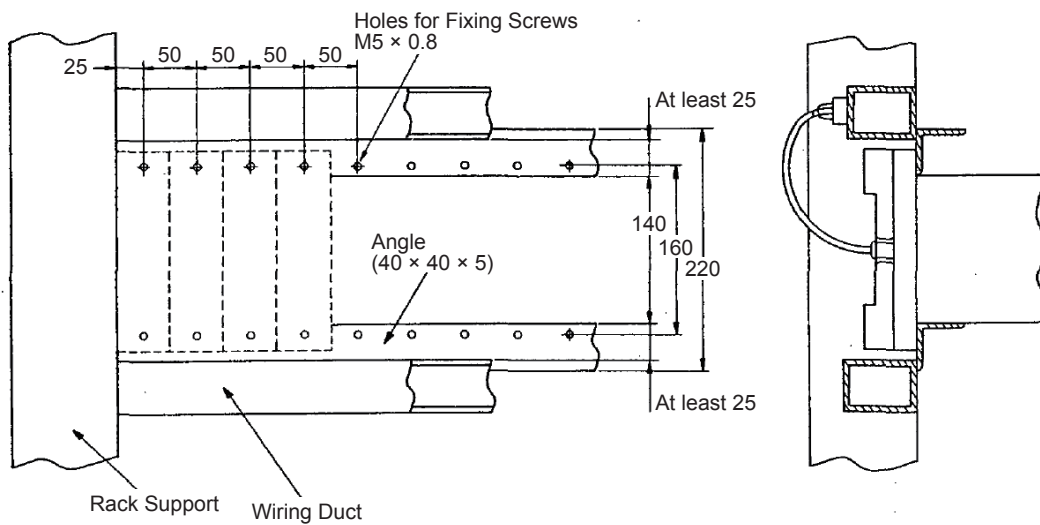


(Dimensions with instrument module installed
Plug dimension: see below drawings)

F01.ai

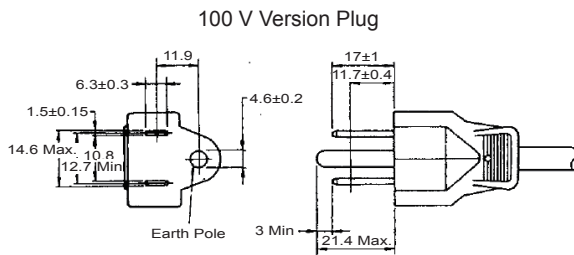
Rack Configuration

Unit: mm

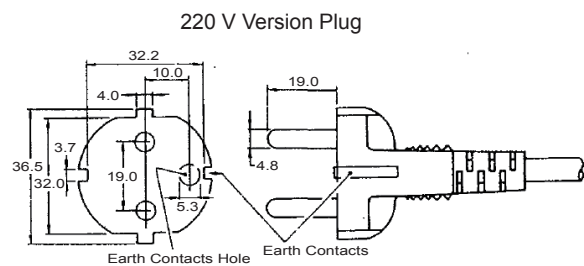


F02.ai

Plug Dimensions

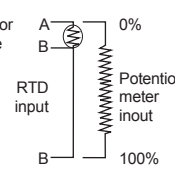
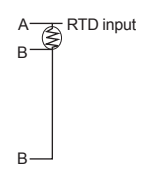


JIS C 8303 15A 125 V Two-pin Plug with Earthing Contact
F03.ai



CEE Publication 7 Standard Sheet VII
10/16A 250 V Two-pole Plug with Dual-earthing Contacts
F04.ai

Terminal Wiring for Rack Mount Instruments

| STED | | SKYD | | SALD | |
|----------------------|--|----------------------|---|----------------------|--|
| Terminal Designation | Description | Terminal Designation | Description | Terminal Designation | Description |
| A | + > Output 1 (1 to 5 V DC) | A | NC — 1st set point output COM — B — C — D — | A | NC — Alarm output COM — B — C — D — |
| B | | F | | F | |
| C | | H | | H | |
| D | | J | | J | |
| F | + > Output 3 (4 to 20 mA DC)*1 | F | NC — 2nd set point output COM — NO — NO — | F | NO — |
| H | | K | | K | |
| J | + > Output 2 (1 to 5 V DC) | H | + > Input 1 | H | mV DC input or thermocouple input |
| K | | J | | J | |
| 1 | + > mV DC input or thermocouple input  | 1 | + > Input 2*2 | 1 | + > mV DC input or thermocouple input  |
| 2 | | 2 | | 2 | |
| 3 | | 3 | | 3 | |
| 4 | | 4 | | 4 | |
| 5 | | 5 | | 5 | |
| 6 | | 6 | | 6 | |
| 7 | | 7 | | 7 | |
| 8 | | 8 | | 8 | |

| SPLR | | SIND | | SISD | |
|----------------------|---------------------|----------------------|--|----------------------|-------------------------------------|
| Terminal Designation | Description | Terminal Designation | Description | Terminal Designation | Description |
| A | + > Analog output 1 | A | - — Connected to SICD counter pulse (1) B — | A | + > Output signal (1 to 5 V DC) |
| B | | C | | C | |
| C | + > Contact output | D | - — Connected to SICD counter pulse (2) F — | D | + > Output signal (4 to 20 mA DC)*1 |
| D | | F | | F | |
| F | + > Analog output 2 | H | + > Input (1 to 5 V DC) | H | + > Input signal (1 to 5 V DC) |
| H | | J | | J | |
| J | + > Fail output | K | | K | |
| K | | 1 | | 1 | |
| 1 | + > Analog input 1 | 2 | | 2 | |
| 2 | | 3 | | 3 | |
| 3 | + > Analog input 3 | 4 | | 4 | |
| 4 | | 5 | | 5 | |
| 5 | + > Analog input 2 | 6 | | 6 | |
| 6 | | 7 | | 7 | |
| 7 | + > Analog input 4 | 8 | | 8 | |
| 8 | | | | | |

| SDBT | | SDBS | |
|----------------------|----------------------------------|----------------------|----------------------------|
| Terminal Designation | Description | Terminal Designation | Description |
| A | + > 1st output (1 to 5 V DC) | A | + > Output (transmitter 1) |
| B | | B | |
| C | + > 3rd output (4 to 20 mA DC)*4 | C | + > Output (transmitter 3) |
| D | | D | |
| F | + > 2nd output (1 to 5 V DC) | F | + > Output (transmitter 2) |
| H | | H | |
| J | | J | + > Output (transmitter 4) |
| K | | K | |
| 1 | + > Transmitter (input) | 1 | + > Transmitter 1 (in) |
| 2 | | 2 | |
| 3 | | 3 | + > Transmitter 3 (in) |
| 4 | | 4 | |
| 5 | | 5 | + > Transmitter 2 (in) |
| 6 | | 6 | |
| 7 | COM*3 | 7 | + > Transmitter 4 (in) |
| 8 | | 8 | |

- *1 If these terminal are not used, disconnect them.
- *2 For 2-input version (deviation alarm type only).
- *3 Common for connection of intrinsic safety barrier.
- *4 For Model SDBT-2 only. If these terminal are not used, disconnect them.

■ ORDERING INSTRUCTIONS

When ordering, specify the model and suffix codes.