

General Specifications

YTA50 Temperature Transmitter



GS 01C50C01-00EN

The YTA50 is a head mount type of temperature transmitter that accepts thermocouple, RTD, ohms or DC millivolts input and converts it to a 4 to 20 mA DC signal for transmission. The YTA50 conforms to the standard DIN form B head mounting.



■ STANDARD SPECIFICATIONS

Accuracy

See Table 1. on page 2.

Cold Junction Compensation Accuracy (For T/C only)

±1°C (±1.8°F)

Ambient Temperature Effects

See Table 1. on page 2.

Power Supply Effects

±0.005% of FS per Volt

EMC Conformity

EN61326-1 Class A, Table 2
EN61326-2-3

EU RoHS Directive

Applicable standard: EN IEC 63000

Input Type, Span and Range

Selection from thermocouples (T/Cs), 2-, 3-, and 4-wire RTDs. See Table 1 on page 2.

Maximum Zero offset

±50% of the maximum temperature

Input Signal Source Resistance (For T/Cs input)

10 MΩ, or 3 kΩ at power-off

Input Lead Wire Resistance (For RTDs input)

5 Ω per wire or lower

Sensor Burnout

High or Low

Output

Two wire 4 to 20 mA DC

Response Time

1 to 60 seconds (programmable)

Ambient Temperature Limits

(Option code may affects limit)
-40 to 85°C (-40 to 185°F)

Ambient humidity limits

5 to 90% RH at 40°C (104°F)

Supply Voltage

7 to 35 V DC
7 to 30 V DC for Intrinsically safe type

Load Resistance

Limitation: 0 to (E-7)/0.023 [Ω]
where E is power supply voltage.
Typical; 739Ω @ 24 V DC

Isolation

Input/output isolated to 1500 V AC.

Enclosure:

Material

Polycarbonate

Color of the case

Red

Mounting

DIN form B head mounting

Terminals

M3 screws

Weight

50 g (0.11 lb)

Table 1. Input type, range and accuracy

Sensor Type	Standard	Input range		Minimum Span		Accuracy (value whichever is greater)	Temp. effects/10°C (value whichever is greater)
		°C	°F	°C	°F		
<T/Cs>							
B	IEC60584	400 to 1820	752 to 3308	200	360	±0.1% of span or ±2.0°C	±0.1% of span or ±2.0°C
E		-100 to 1000	-148 to 1832	50	90		
J		-100 to 1200	-148 to 2192	50	90	±0.1% of span or ±1.0°C	±0.1% of span or ±0.5°C
K		-180 to 1372	-292 to 2502	50	90		
N		-180 to 1300	-292 to 2372	100	180	±0.1% of span or ±2.0°C	±0.1% of span or ±2.0°C
R		-50 to 1760	-58 to 3200	200	360		
S		-50 to 1760	-58 to 3200	200	360		
T		-200 to 400	-328 to 752	50	90	±0.1% of span or ±1.0°C	±0.1% of span or ±0.5°C
L	DIN43710	-100 to 900	-148 to 1652	50	90		
U		-200 to 600	-328 to 1112	75	135	±0.1% of span or ±2.0°C	±0.1% of span or ±2.0°C
W3	ASTM	0 to 2300	32 to 4172	200	360		
W5	E988-90	0 to 2300	32 to 4172	200	360		
<RTDs>							
Pt100	IEC60751	-200 to 850	-328 to 1562	10	18	±0.1% of span or ±0.2°C	±0.1% of span or ±0.1°C
Ni100	DIN43760	-60 to 250	-76 to 482	10	18	±0.1% of span or ±0.2°C	
DC Voltage [mV]		-10 to 800 [mV]		5 [mV]		±0.1% of span or ±0.01mV	±0.1% of span or ±10µV
Resistance [Ω]		0 to 5000 [Ω]		30 [Ω]		±0.1% of span or ±0.1Ω	±0.1% of span or ±0.1Ω

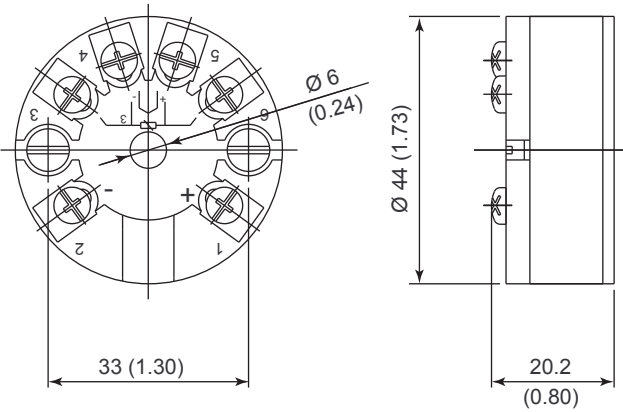
MODEL AND SUFFIX CODES

Model	Suffix Codes	Descriptions														
YTA50	Temperature Transmitter (Head Mount Type)														
Output Signal	-A	4 to 20mA DC														
Optional Specifications	/KS2¹	<p>ATEX Intrinsically safe approval Applicable standard: EN IEC 60079-0, EN 60079-11 Certificate: KEMA 06 ATEX0191 X II 1 G Ex ia IIC T6...T4 Ga II 2 D Ex ia IIIC Db Amb. temp.: For EPL Ga: The relation between ambient temperature range and temperature class:</p> <table border="1"> <thead> <tr> <th rowspan="2">Temperature Class</th> <th>Pi= 0.84W</th> <th>Pi= 0.75W</th> </tr> <tr> <th>Ambient temperature range</th> <th>Ambient temperature range</th> </tr> </thead> <tbody> <tr> <td>T6</td> <td>-40°C to +47°C</td> <td>-40°C to +50°C</td> </tr> <tr> <td>T5</td> <td>-40°C to +62°C</td> <td>-40°C to +65°C</td> </tr> <tr> <td>T4</td> <td>-40°C to +85°C</td> <td>-40°C to +85°C</td> </tr> </tbody> </table> <p>For EPL Db: The surface temperature of the outer enclosure is + 20 K above the ambient temperature, determined without a dust layer. Ambient temperature range: -40 to 85°C Supply/output circuit: Ui=30V, Ii=120mA, Pi=0.84W or 0.75W, Ci=1nF, Li=10µH Sensor circuit: Uo=9.6V, Io=25mA, Po=60mW, Co=2.4µF, Lo=33mH</p>	Temperature Class	Pi= 0.84W	Pi= 0.75W	Ambient temperature range	Ambient temperature range	T6	-40°C to +47°C	-40°C to +50°C	T5	-40°C to +62°C	-40°C to +65°C	T4	-40°C to +85°C	-40°C to +85°C
	Temperature Class	Pi= 0.84W		Pi= 0.75W												
Ambient temperature range		Ambient temperature range														
T6	-40°C to +47°C	-40°C to +50°C														
T5	-40°C to +62°C	-40°C to +65°C														
T4	-40°C to +85°C	-40°C to +85°C														
	/DS2¹	<p>FM intrinsically safe/Nonincendive and ATEX intrinsically safe approval combination (For ATEX Intrinsically safe approval, see /KS2) [FM Intrinsically safe/Nonincendive approval] Applicable standard: FM 3600, FM 3610, FM 3611, FM 3810 Intrinsically safe for Class I, Division 1, Groups A, B, C, and D Supply: Vmax=28V, Imax=120mA, Pmax=0.84W, Ci≤1nF, Li≤10µH Nonincendive for Class I, Division 2, Groups A, B, C, D Hazardous (Classified) indoor/outdoor (TYPE 4) Locations Supply: Vmax=35V, Imax=150mA, Ci=0µF, Li=10µH Amb. temp.: T6 Ta=55°C, T4 Ta=80°C</p>														

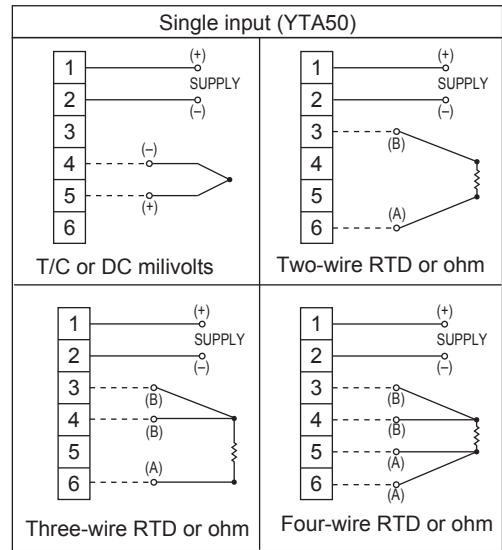
*1: Even if the option code is the same, the explosion-proof specifications (Ex marking, Amb.temp., etc.) are different, so please check the specifications when ordering.

■ DIMENSIONS

Unit : mm (approx. inch)



● Sensor Connections



F01E.ai

< Ordering Information >

Specify the following when ordering.

1. Model, suffix codes, and optional specification codes
2. Sensor type. For RTD input, specify the number of wire together. For example; Pt100, 4-wire
3. Calibration range. Specify upper and lower range value, so as to make the span wider than the minimum span limit.
4. Sensor burnout. Specify high or low.
5. Response time. Specify an integral number from 1 through 60. ("1" is recommended .)