

General Specifications

DAQOPC OPC Server for DAQSTATION/MobileCorder

GS 04L01B03-00E

Release Number : R3.01

■ GENERAL

DAQOPC is an OPC (OLE for Process Control) server running on Windows 2000/XP, which can be connected to the DAQSTATION DX/DX-P/CX series, MobileCorder MV series and provides an OPC client with process data via OPC interface. With the package, the OPC client can acquire and define process data from and receive alarm events.

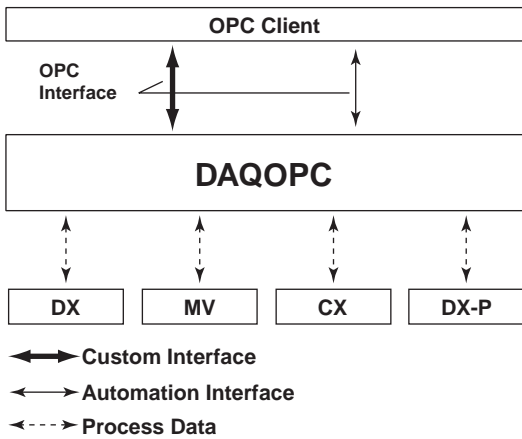
This GS covers the specifications of the DAQOPC OPC Interface Package.

■ FUNCTION SPECIFICATIONS

The DAQOPC package provides the OPC specifications-compliant interface.

Data Access (DA) Server

The DA Server reads and writes process data using item IDs as identifiers.



■ FEATURES

Major Applications

DAQOPC OPC Interface can be used in a wide variety of OPC client applications.

- OPC standard compliant general-purpose applications
- User applications created by VB or VC++

Compliance with OPC Specifications

The DAQOPC package supports OPC standard interface functions (DA Server functions) specified by OPC Foundation, and many other optional functions such as browsing.

Browsing

With optional functions with OPC specifications, users can view the content of the OPC server from OPC client.

■ CONNECTED MODELS

Model	Communication	Supported
DX(DX100/DX100L/DX200/DX200C), MV(MV100/MV200), CX(CX1000/CX2000)	Ethernet	Yes
	RS-232	Yes
	RS-422A/485	Yes
DX-P(DX100P/DX200P)	Ethernet	Yes
	RS-232	No
	RS-422A/485	No

* Not supporting Daqstation DXAdvanced DX1000/DX1000N/DX2000.

■ SYSTEM CONFIGURATION

Server/Client Composition

The following two client/server configurations can be used:

- The OPC client exists on a PC with DAQOPC installed.
- The OPC client exists on a supervisory computer (Windows 2000/XP machine).

Multiple Clients

Users can access one DAQOPC from multiple OPC clients.

Multiple Servers

Users can access multiple DAQOPC from one OPC client.

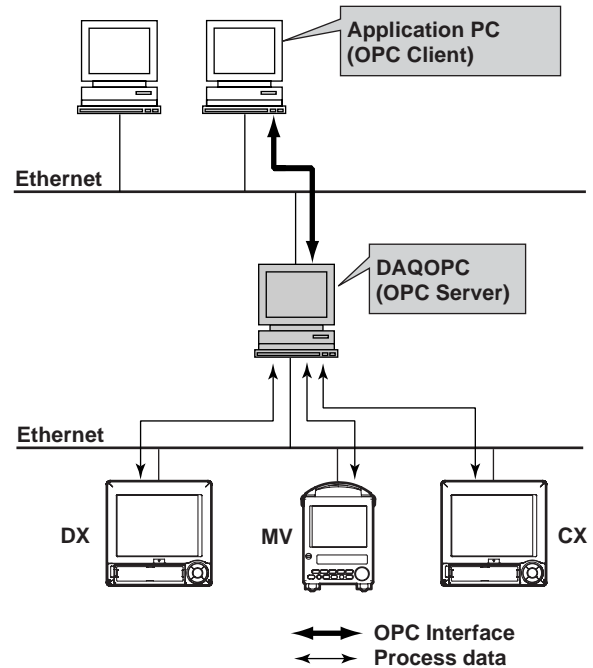


Figure: Configuration Example for DAQSTATION/ MobileCorder Series

APPLICATION CAPACITY

Max. number of clients: 100 clients
 Max. number of group objects: 1,000 groups
 Max. number of registered item IDs: 10,000/group
 Max. number of cache update item IDs: 100,000
 Cache update period:
 1,000 - 3,600,000 ms (1 sec to 1 hour)
 Max. number of networked DX/DX-P/CX/MV: 24

Professional
 The DAQOPC package and Windows 2000/XP must use the same language.
 Service Pack: The following Service Packs are required.
 SP3, SP4 (Windows 2000)
 SP1, SP2 (Windows XP)
 VB and VC++ versions:

DAQOPC	DAQOPC and user AP are on the same PC	DAQOPC and user AP are on different PCs.
R3.01	VB6.0, VC++6.0(SP5)	VB5.0/6.0, VC++5.0/6.0

ITEMS THAT CAN BE ACCESSED

[Basic · Advanced version]

R: Read W: Write

Items	DX/MV	DX-P	CX
Measurement/Math channel: Measured value/Math data, Alarm type/status	R	R	R
Measurement/Math channel: Alarm value	R/W*	R	R/W*
Embedded loop: PV, SP, current PID number, Alarm type/status	—	—	R
Embedded loop: OUT, P, I, D, Alarm value, Current SP number and its switching, RUN/STOP switching, REMOTE/LOCAL switching, Control mode switching, Output low/high limit value, Manual reset value, Preset output value, Control direction, Hysteresis value of ON/OFF control, Bias, Filter, Control Computation constant	—	—	R/W*
External loop: PV, SP, OUT, Alarm status	—	—	R
Value of Communication input data, Device/Property read status	R/W	R/W	R/W
Memory sampling status, Computing status, Batch number, Lot number	R/W*	R	R/W*
Writes the message	R/W*	—	R/W*

W*: applied for only Advanced version
 Write is available only for Administrator access to instruments

OPERATING ENVIRONMENT

Hardware

Machine: IBM PC/AT-compatible (DOS/V) (where Windows 2000 or Windows XP runs)
 CPU: Intel Pentium 300 MHz or faster (Windows 2000),
 Pentium 800 MHz or faster (Windows XP)
 Main memory: 256 MB or greater
 Disk capacity: About 1 GB must be free.
 Communication device:
 Ethernet-ready network card

Software

Operating System:
 Microsoft Windows 2000 or Windows XP

SUPPORTED OPC SPECIFICATIONS

The DAQOPC package provides the OPC client with an interface with the following specifications:

DA Server

- OPC Data Access Custom Interface Specification Version 1.0A,2.0
- OPC Data Access Automation Specification Version 1.0A,2.0

MODEL AND SUFFIX CODE

[Release: R3]

Model	Description
DXA410-02	DAQOPC Basic version
DXA410-04	DAQOPC Advanced version

ORDERING INSTRUCTION

Specify model and suffix codes.

TRADEMARK

- Microsoft, Windows and Windows XP are registered trademarks of Microsoft Corporation.
- Intel and Pentium are registered trademarks of Intel Corporation.
- OPC is a registered trademark of OPC Foundation.
- All other company and product names in this GS are registered trademarks or trademarks of respective companies.