

General Specifications

Model A2MMM843, A2MDV843
I/O Modules (for N-IO)



GS 33J62F20-01EN

[Release 6]

■ GENERAL

This general specifications (GS) contains hardware specifications of I/O modules (for N-IO) that can be mounted on the base plates for N-IO I/O (A2BN3D, A2BN4D, or A2BN5D).

■ STANDARD SPECIFICATIONS

For the installation environmental standards and combination of base plates, I/O modules, I/O adaptors, and I.S. barriers for mounting of this products, refer to the GS "N-IO system overview" (GS 33J62A10-01EN).

● Analog digital I/O module

Analog digital I/O module (A2MMM843) has an analog I/O function and a digital I/O function for each channel. The analog input function, analog output function, digital input function, and digital output function can be switched by software setting for each channel. A dual-redundant configuration is available by mounting two units of the same modules. The function for each channel can be extended by mounting an I/O adaptor on the base plate for adaptor (A2BN3D).

Common specifications

Item	Specifications
Model	A2MMM843
Number of channels	16 (isolated) (*1)
Maximum current consumption	700 mA (24 V DC) (When all channels are set to the digital I/O function and the source load is 20 mA)
Withstanding voltage (*2)	Between input/output and system : 1500 V AC for 1 minute : 42 V DC, continuous
Weight	Approx. 0.41 kg

Note: A zener barrier cannot be connected with this module.

For configuring an intrinsic safety explosion protection, an isolation barrier must be used.

*1: Analog input function, analog output function, digital input function, or digital output function is available for each channel setting.

*2: This specification is applicable when the A2MMM843 is used by itself. When the A2MMM843 is mounted on the base plate for adaptor (A2BN3D), refer to the GS "Base Plates (for N-IO)" (GS 33J62F40-01EN).

Analog input functional specifications (current input)

Item		Specifications
Rated input range (maximum guaranteed accuracy range)		4 to 20 mA
Allowable input range		0 to 24 mA
Input resistance	Power ON	250 Ω (4-wire type DC, typical)
	Power OFF/ Dual-redundant standby side	500 kΩ or higher
Accuracy (Power supply voltage = 24 V)		±12 μA (23°C ±2°C) ±24 μA (0°C to 60°C) ±40 μA (-40°C to 70°C)
Transmitter power supply (2-wire type)		15.0 V or higher (20 mA) 24.0 V or lower (0 mA)
Setting of 2-wire or 4-wire transmitter		Can be set for each channel
Data update period		8 ms
HART communication		Support for HART7
Current limitation (2-wire type)		26 mA or lower

Analog output functional specifications (current output)

Item		Specifications
Rated output range (maximum guaranteed accuracy range)		4 to 20 mA
Allowable load resistance		0 to 750 Ω (20 mA), 0 to 600 Ω (23 mA)
Output burnout detection		0.65 mA or lower
Accuracy (Power supply voltage = 24 V)		±48 μA (23°C ±2°C) ±64 μA (0°C to 60°C) ±80 μA (-40°C to 70°C)
Data update period		8 ms
HART communication		Support for HART7
Current limitation		23 mA or lower

Digital input functional specifications

Item		Specifications
Input format		Dry contact input (*1)
Maximum absolute input		30.0 V DC
External resistance when input ON		1 kΩ or lower (6 mA continuous)
External resistance when input OFF		10 kΩ or higher (2.4 mA or lower)
Input current		6 mA ±20%
Contact rating		30 V DC or higher 10 mA or higher
Function	Status input	For detecting ON/OFF status
	Pushbutton input	For counting the pushbutton edges
	SOE input	For capturing the SOE data
Data update period		Status input: 2 ms Pushbutton input: 8 ms
Input response time		11 ms or less (for status input)
Minimum ON detection time		20 ms (for pushbutton input)
Maximum ON/OFF cycle		25 Hz (for pushbutton input)
Current limitation		7.2 mA or lower

*1: The digital input adaptor (A2SDV105) is used for a voltage input or isolating analog I/O signals from other channels. For details, refer to the GS "I/O adaptors (for N-IO)" (GS 33J62F30-01EN).

Digital input functional specifications (NAMUR standard compliant)

Item		Specifications
Input format		NAMUR (IEC 60947-5-6) standard compliant ON level detection: 2.1 mA or higher OFF level detection: 1.2 mA or lower Burnout detection: 50 μ A or lower Short-circuit detection: Load resistance 100 Ω or lower
Function	Status input	For detecting ON/OFF status
	Pushbutton input	For counting the pushbutton edge
Data update period		Status input: 2 ms Pushbutton input: 8 ms
Input response time		11 ms or less (for status input) 15 ms or less (for status input, when burnout or short-circuit diagnosis is enabled)
Minimum ON detection time		20 ms (for pushbutton input)
Maximum ON/OFF cycle		25 Hz (for pushbutton input)
Current limitation		16 mA or lower

Digital output functional specifications

Item		Specifications	
Output format		Current sink	Current source
Rated applied voltage		24 V DC	—
Maximum absolute rating		30 V	—
Output ON voltage maximum value		2 V DC (100 mA)	—
Output voltage		—	Typical: 24.6 V (0 mA) Maximum: 28 V (0 mA) Minimum 19.2 V (20 mA)
Leak current maximum value when output OFF		0.1 mA	
Minimum load current		—	1 mA (when disconnection diagnosis is enabled)
Maximum load current		100 mA	20 mA
Function	Status output	ON/OFF status output	
	Pulse output	Pulse width output	One-shot pulse width output
		Time-proportioning output	Time-proportioning ON/OFF output
Data update period		Status output: 2 ms Pulse output: 8 ms	
Output response time		6 ms or less (for status output) 12 ms or less (for pulse output)	
Pulse width (for pulse output)		8 ms to 7200 s	
Pulse width resolution (for pulse output)		8 ms, but ON/OFF delay of maximum 1 ms is added	
Current limitation		—	25 mA or lower

—: Not applicable

● **Digital I/O module**

Digital I/O module (A2MDV843) has a digital I/O function for each channel. The digital input function and digital output function can be switched by software setting for each channel. A dual-redundant configuration is available by mounting two units of the same modules. The function for each channel can be extended by mounting an I/O adaptor on the base plate for adaptor (A2BN3D).

Common specifications

Item	Specifications
Model	A2MDV843
Number of channels	16 (isolated) (*1)
Maximum current consumption	700 mA (24 V DC) (When all channels are set to the digital I/O function and the source load is 20 mA)
Withstanding voltage (*2)	Between input/output and system : 1500 V AC for 1 minute : 42 V DC, continuous
Weight	Approx. 0.41 kg

Note: A zener barrier cannot be connected with this module.

For configuring an intrinsic safety explosion protection, an isolation barrier must be used.

*1: Digital input function or digital output function is available for each channel setting.

*2: This specification is applicable when the A2MDV843 is used by itself. When the A2MDV843 is mounted on the base plate for adaptor (A2BN3D), refer to the GS "Base plates (for N-IO)" (GS 33J62F40-01EN).

Digital input functional specifications

Item	Specifications	
Input format	Dry contact input (*1)	
Maximum absolute input	30.0 V DC	
External resistance when input ON	1 kΩ or lower (6 mA continuous)	
External resistance when input OFF	10 kΩ or higher (2.4 mA or lower)	
Input current	6 mA ±20%	
Contact rating	30 V DC or higher 10 mA or higher	
Function	Status input	For detecting ON/OFF status
	Pushbutton input	For counting the pushbutton edges
	SOE input	For capturing the SOE data
Data update period	Status input: 2 ms Pushbutton input: 8 ms	
Input response time	11 ms or less (for status input)	
Minimum ON detection time	20 ms (for pushbutton input)	
Maximum ON/OFF cycle	25 Hz (for pushbutton input)	
Current limitation	7.2 mA or lower	

*1: Digital input adaptor (A2SDV105) is used for isolating voltage input from other channels. For details, refer to the GS "I/O adaptors (for N-IO)" (GS 33J62F30-01EN).

Digital input functional specifications (NAMUR standard compliant)

Item		Specifications
Input format		NAMUR (IEC 60947-5-6) standard compliant ON level detection: 2.1 mA or higher OFF level detection: 1.2 mA or lower Burnout detection: 50 μ A or lower Short-circuit detection: Load resistance 100 Ω or lower
Function	Status input	For detecting ON/OFF status
	Pushbutton input	For counting the pushbutton edge
Data update period		Status input: 2 ms Pushbutton input: 8 ms
Input response time		11 ms or less (for status input) 15 ms or less (for status input, when burnout or short-circuit diagnosis is enabled)
Minimum ON detection time		20 ms (for pushbutton input)
Maximum ON/OFF cycle		25 Hz (for pushbutton input)
Current limitation		16 mA or lower

Digital output functional specifications

Item		Specifications	
Output format		Current sink	Current source
Rated applied voltage		24 V DC	—
Maximum absolute rating		30 V	—
Output ON voltage maximum value		2 V DC (100 mA)	—
Output voltage		—	Typical: 24.6 V (0 mA) Maximum: 28 V (0 mA) Minimum 19.2 V (20 mA)
Leak current maximum value when output OFF		0.1 mA	
Minimum load current		—	1 mA (when disconnection diagnosis is enabled)
Maximum load current		100 mA	20 mA
Function	Status output	ON/OFF status output	
	Pulse output	Pulse width output	One-shot pulse width output
		Time-proportioning output	Time-proportioning ON/OFF output
Data update period		Status output: 2 ms Pulse output: 8 ms	
Output response time		6 ms or less (for status output) 12 ms or less (for pulse output)	
Pulse width (for pulse output)		8 ms to 7200 s	
Pulse width resolution (for pulse output)		8 ms, but ON/OFF delay of maximum 1 ms is added	
Current limitation		—	25 mA or lower

—: Not applicable

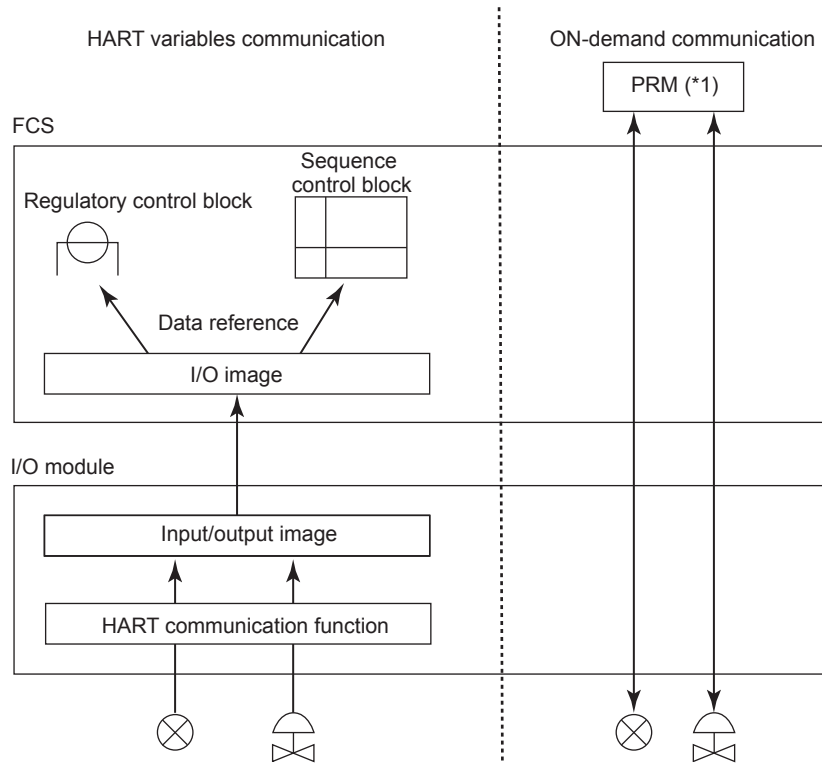
■ HART COMMUNICATION

A field control station (FCS) communicates with HART communication transmitters and valve positioners using the HART communication function of the I/O Module (*1) and receives HART variable (*2) in addition to 4 to 20 mA analog input/output data. On-demand communication is also available.

- *1: The I/O module is the following four types.
 - Analog digital I/O module (A2MMM843) + Current input/voltage input adaptor (A2SAM105)
 - Analog digital I/O module (A2MMM843) + Current output/voltage output adaptor (A2SAM505)
 - Analog digital I/O module (A2MMM843) + Pass-through I/O signal adaptor (A2SMX801)
 - Analog digital I/O module (A2MMM843) + Pass-through I/O signal adaptor (A2SMX802)
- *2: HART variables can be read by HART commands.

● Communication with HART devices

The I/O modules communicate with HART field devices and stores HART variables together with analog data in the input/output image area. The FCS refers to the input/output image by accessing the I/O module. The FCS utilizes HART variables via I/O terminals of the function block (Regulatory Control Block and Sequence Control Block) in the same way as other analog/digital I/O signals.



F01E.ai

- *1: For further details of corresponding PRM revision and contents, refer to the GS "Plant resource manager" (GS 33Y05Q10-32E).

Figure Process data flow of HART communications

● HART communication functional specifications

The I/O modules are equipped with HART modems which enable HART communication (*1) by connecting HART field devices directly to the modules without modems and so on.

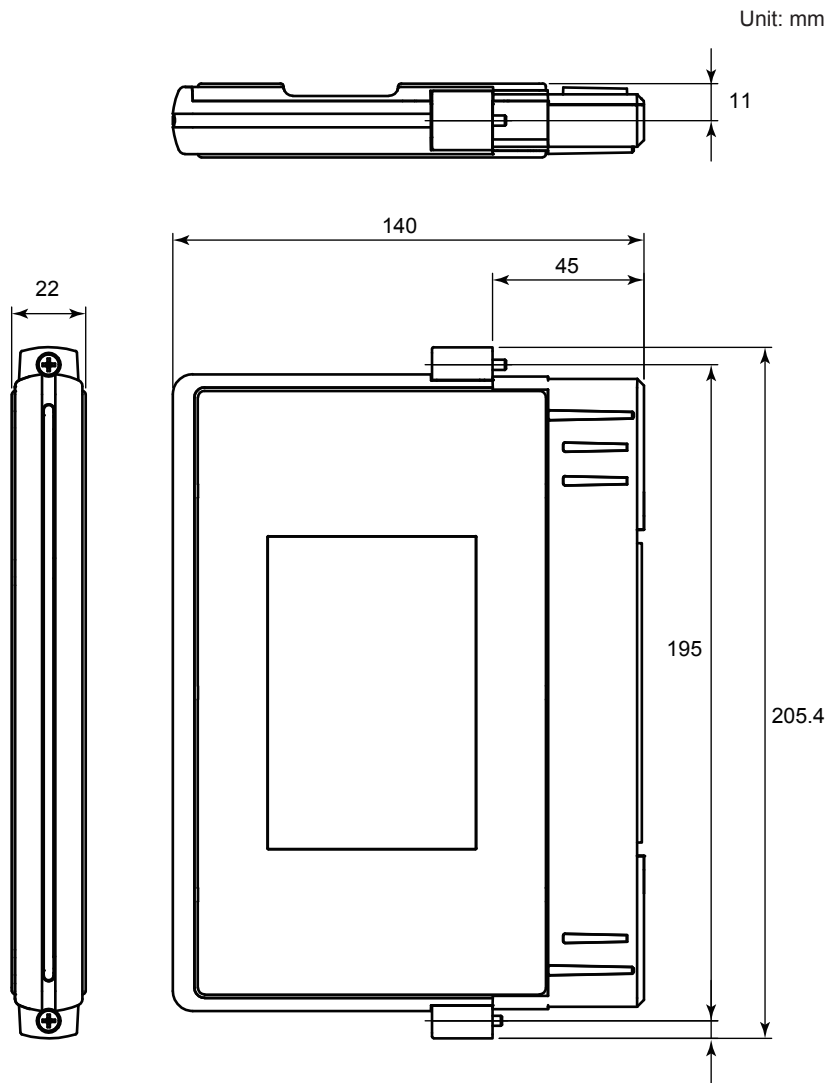
- No. of HART devices: Max. 16 devices/module
- HART variables: Max. 32 points/module
- HART variables can be treated as ordinary process input data via %Y terminal connection.
- HART multi-drop connection (*2): Max. 5 devices/channel
- HART variables data minimum refresh cycle time: 0.5 sec/device

- *1: I/O modules handle HART variables communication and on-demand communication of HART communication. Hand held terminal (HHT) can also be available. Auxiliary devices must be applicable for HART communication when I/O modules are to perform HART communication with HART field devices via the auxiliary devices such as barriers.
- *2: A2SAM505 do not support HART multi-drop connection because only input devices can be connected. 4 to 20 mA analog data value and burst function are not supported.

EXTERNAL DIMENSIONS

A2MMM843 Analog digital I/O module

A2MDV843 Digital I/O module



F02E.ai

Nominal tolerances :

Nominal tolerance is ± 0.8 mm for the dimensions of 0.5 mm or more and 120 mm or less, and the combined nominal tolerance is ± 1.5 mm.

The nominal tolerance is in accordance with JEM 1459 for the dimensions over 120 mm.

■ MODEL AND SUFFIX CODES

Analog digital I/O module

		Description
Model	A2MMM843	Analog digital I/O module (16-channel, Isolated)
Suffix Codes	-S	Analog I/O function standard type
	S	Digital I/O function standard type
	1	Always 1
	0	With no explosion protection
	1	With explosion protection
	0	Basic type
	1	With ISA standard G3 option
	2	With temperature (-40 to 70 °C) option
	3	With ISA standard G3 option and temperature (-40 to 70 °C) option
	0	Always 0

Digital I/O module

		Description
Model	A2MDV843	Digital I/O module (16-channel, Isolated)
Suffix Codes	-0	Always 0
	S	Digital I/O function standard type
	1	Always 1
	0	With no explosion protection
	1	With explosion protection
	0	Basic type
	1	With ISA standard G3 option
	2	With temperature (-40 to 70 °C) option
	3	With ISA standard G3 option and temperature (-40 to 70 °C) option
	0	Always 0

■ APPLICABLE STANDARDS

Refer to the GS “Integrated production control system CENTUM VP system overview” (GS 33J01A10-01EN).

■ ORDERING INFORMATION

Specify model and suffix codes when ordering.

For selecting the right products for explosion protection, please refer to TI 33Q01J30-01E without fail.

■ TRADEMARKS

- CENTUM and PRM are registered trademarks of Yokogawa Electric Corporation.
- Other company and product names appearing in this document are trademarks or registered trademarks of their respective holders.