

General Specifications

F3NX01-2N NX Interface Module

FA-M3

GS 34M06H29-03E

General

The NX Interface Module enables connection to a NeXUS Autonomous Distribution^{*1} system.

By supporting the Autonomous Distribution Protocol, it enables information interchange between FA-M3 systems and connections to PC, FA computers and other external devices that support the Autonomous Distribution protocol.

Multicast Communications

In multicast communications, a node transmits data to its associated field via Ethernet^{*2}. Other nodes within the same data field receive this data autonomously. Identification of and synchronization between sender and receiver is not required.

Alive Signal Transmission

Each node periodically transmits alive signals to its associated field. By monitoring transmitted alive signals, failure and recovery of the network and individual network nodes can be detected. Alive signals may be accompanied by error information.

*1: "Autonomous Distribution" is a registered trademark of Hitachi Ltd.

*2: "Ethernet" is a registered trademark of XEROX Corporation.

Features

Scope of Support for Autonomous Distribution Interface (Category A)					
Primary Functions			Secondary Functions		
Class	Functions		Class	Functions	
A-Base-1	Multicast communication	✓	A-Opt-1-a	Redundant LAN control multicast communication	×
A-Base-2	Alive signal transmission	✓	A-Opt-2-a	Fault information transmission	✓
A-Opt-3	One-to-one communication (Max. 16KB)	×	—	—	—
A-Opt-4	Configuration over a network	×	—	—	—

Specifications

Item	Specification		
	100BASE-TX	10BASE-T	
Transmission	Access control	CSMA/CD	
	Transmission rate	100 Mbps / 10 Mbps	
	Transmission method	Baseband	
	Maximum segment length	100m ^{*1}	
	Largest connection configuration	2 cascade segments max. / 4 cascade segments max.	
Protocol	UDP/IP, ICMP, ARP		
Number of installed modules	2 max. when used with F3SP05, F3SP08, F3SP20, F3SP21 6 max. when used with F3SP22, F3SP25, F3SP28, F3SP35, F3SP38, F3SP53, F3SP58, F3SP59, F3SP66, F3SP67, F3SP71, F3SP76, F3BP20, F3BP30 * Total number including other modules with similar functions (personal computer link modules, FL-net interface modules, etc.)		
Current consumption	330 mA max.		
External Dimensions	28.9 (W) x 100 (H) x 83.2 (D) mm ^{*2}		
Weight	100g		
Environmental Specifications	Surrounding air temperature range	Operating: 0 to 55°C Storage: -20 to 75°C	
	Surrounding humidity range	Operating: 10 to 90%RH (non-condensing) Storage: 10 to 90%RH (non-condensing)	
	Surrounding atmosphere	Must be free of corrosive gases, flammable gases or heavy dust.	

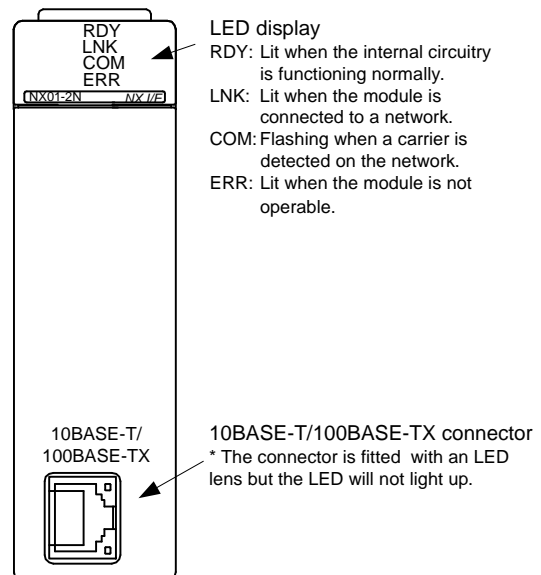
*1: Maximum distance between the module and a hub.

*2: Excluding protrusions (For details, see "External Dimensions.")

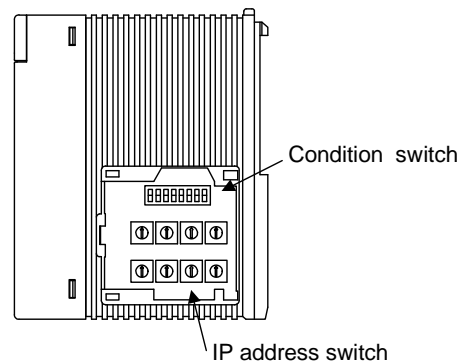


Components and Functions

Front view



Right side view



* This is the right side view with the panel cover removed.

■ Operating Environment

This module is compatible with all CPU module types.

■ Model and Suffix Codes

Model	Suffix Code	Style Code	Option Code	Description
F3NX01	-2N	—	—	10Mbps/100Mbps 10BASE-T/100BASE-TX

■ External Dimensions

