

# General Specifications

## Model NFLF111 FOUNDATION™ fieldbus Communication Module



GS 34P02Q55-01E

### ■ GENERAL

This document describes the hardware specifications of the NFLF111 FOUNDATION fieldbus communication module to be installed in an FCN (field control node) autonomous controller. The NFLF111 functions as a link master (LM) device capable of controlling communication schedules on the H1 fieldbus segment connected to each of its port and performs data exchange between the FCN and fieldbus devices.

Notation in this document:

- The term “FCN” refers to the module consisting type autonomous controllers.
- The term “FCN-500” refers to the autonomous controllers with NFCP501/NFCP502 CPU module.
- The term “FCN-RTU” refers to the low power autonomous controllers with NFCP050 CPU module.

### ■ GENERAL SPECIFICATIONS

#### ● NFLF111 FOUNDATION fieldbus Communication Module

Table. General Specifications of NFLF111

Item		Specifications
Model		NFLF111(*1)
Interface		FOUNDATION fieldbus H1
Ports		4 ports per module
Baud rate		31.25 kbps
Functions		Link active scheduler (LAS) functionality
Power	Power supply voltage (*2)	5 V DC ± 5 %
	Maximum current dissipation	0.5 A
Bus connection		Pressure clamp terminals (*2)
Indicators		LED status indicators
Installation		To be installed in a base module.
Weight		0.4 kg
Size	Dimensions	32.8 x 130.0 x 127.5 mm (W x H x D)
	Occupying slots	1
Isolation		Field-to-system isolated with a withstanding voltage up to 1500 V AC for 1 minute
Redundancy	FCN-500, FCN-100	Available (*3) (*4)
	FCN-RTU	Unavailable
Number of modules	FCN-500, FCN-100	Up to 8 or 8 duplexed pairs of NFLF111
	FCN-RTU	Up to 8
Number of FF BlockViews		Up to 100 blocks per NFLF111 (*5) Up to 800 blocks per FCN
Inputs/outputs		48 points per port
Linkable fieldbus devices		16 devices per port

\*1: Can also be installed in an extension unit.

\*2: Needs a pressure clamp terminal block (below) to be installed. The block has built-in terminators that can be switched on and off individually.

\*3: Duplexing the NFLF111 requires Model NT730AJ Software License for Duplexed Field Network Module for each FCN-100, and it allows up to eight duplexed pairs to be configured in the same FCN-100. This software license for FCN-500 is bundled with CPU modules.

\*4: When duplexing the NFLF111, install one NFLF111 in an odd-numbered slot and the other NFLF111 of the duplexed pair in the next slot to the right.

\*5: The total sum of fieldbus function blocks defined to access via all ports of each NFLF111 (or each pair of NFLF111 when duplexed).

#### ● NFTF9S Pressure Clamp Terminal Block for Fieldbus Connections

Table. General Specifications of NFTF9S

Item	Specifications
Model	NFTF9S
Applicable module	NFLF111
Connections	4 ports
Weight	0.1 kg
Dimensions	32.6 x 112.0 x 32.5 mm (W x H x D)
Surge absorbers	Not provided
Terminator	Incorporated for each port (can be switched on and off).

● **Installation Limitation of Other I/O Modules**

When installing NFLF111 modules, even if there are free slots, number of other I/O module installed may be limited.

Use formula below to check whether I/O module configuration is acceptable.

$$12 \times N_{(FF-H1)} + 3 \times N_{(HART)} + N_{(AIO)} + N_{(DIO)} \leq 120$$

- $N_{(FF-H1)}$ : Number of NFLF111 modules or NFLF111 duplex pairs
- $N_{(HART)}$ : Number of analog I/O modules with HART communication
- $N_{(AIO)}$ : Number of analog I/O modules without HART communication
- $N_{(DIO)}$ : Number of digital I/O modules

- \*1: If no NFLF111 modules are installed, the maximum installable number of I/O modules is only limited by the number of free slots.
- \*2: This limitation does not apply to the number of serial communication modules.
- \*3: Here "12" and "3" are the coefficient.

**Table Examples in case of installing Analog I/O Modules(without HART communication) and Digital I/O Modules**

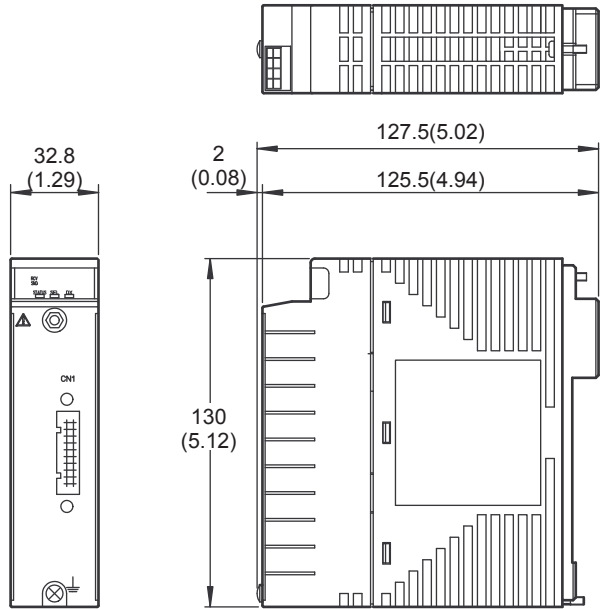
$N_{(FF-H1)}$	$N_{(AIO)}+N_{(DIO)}$	
	FCN-500	FCN-RTU
8	Up to 24 (Up to 24)	Number of free slots
7	Up to 36 (Up to 36)	
6	Up to 48 (Up to 48)	
5	Up to 60 (Up to 60)	
4	Up to 72 (Up to 71)	
3	Up to 76 (Up to 73)	
2	Up to 77 (Up to 75)	
1	Up to 78 (Up to 77)	

Note: Number of slots is up to 79 using the extension unit of FCN-500 when single CPU and single E2 bus applied.  
 Number of slots is up to 8 using the long basemodule in FCN-RTU.  
 In parentheses, when NFLF111 is all duplexed.

■ **DIMENSIONS**

● **NFLF111 FOUNDATION fieldbus Communication Module**

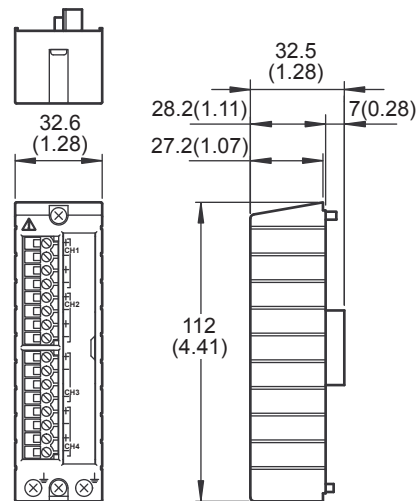
Unit: mm (inch)



F01E.ai

● **NFTF9S Pressure Clamp Terminal Block for Fieldbus Connections**

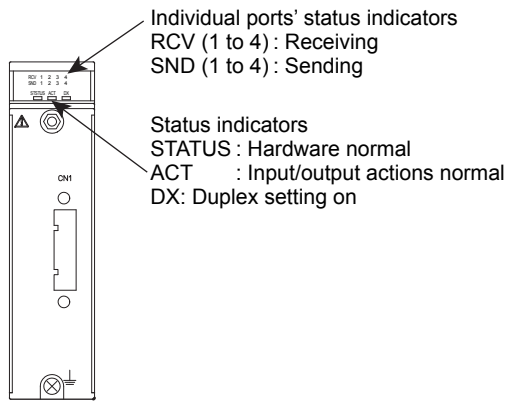
Unit: mm (inch)



F03E.ai

## ■ TERMINALS AND LEDS

### ● NFLF111 FOUNDATION fieldbus Communication Module



F02E.ai

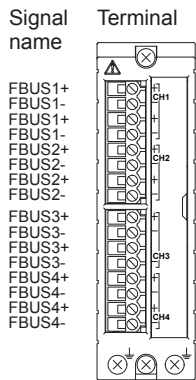
Table Individual Ports' Status Indicators

LED	Color	Description
STATUS	Green	Lights when the hardware is normal.
ACT	Green	Lights when input/output actions are carried out.
DX	Green	Lights when the module is duplexed.

Table Status Indicator LEDs

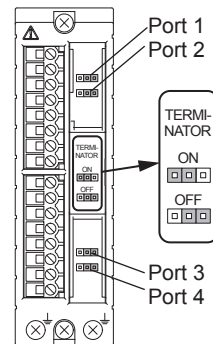
LED	Color	Description
RCV	Green	Receiving
SND	Green	Sending

### ● Terminal Arrangement of NTF9S Pressure Clamp Terminal Block for Fieldbus Connections



F04E.ai

### ● Terminator Switches on NTF9S Pressure Clamp Terminal Block for Fieldbus Connections



F05E.ai

## ■ MODEL AND SUFFIX CODES

### ● NFLF111 FOUNDATION fieldbus Communication Module

		Description
<b>Model</b>	NFLF111	FOUNDATION fieldbus communication module
<b>Suffix Codes</b>	-S	Standard type
	5	With no explosion protection
	E	With explosion protection
	0	Basic type
	1	With ISA Standard G3 option
	4	With Extended Temperature range (-40 to +70 °C) option
<b>Option Codes</b>	5	With Extended Temperature range (-40 to +70 °C) and ISA Standard G3 option
	/F9S00	With pressure clamp terminal block for FOUNDATION fieldbus (Model: NFTF9S-00)

### ● NFTF9S Pressure Clamp Terminal Block for FOUNDATION fieldbus

		Description
<b>Model</b>	NFTF9S	Pressure clamp terminal block for FOUNDATION fieldbus (for NFLF111)
<b>Suffix Codes</b>	-0	Without surge absorber
	0	Always 0

## ■ CONNECTIONS TO FIELDBUSES

For connections between an NFLF111 module and fieldbuses, see “Fieldbus Technical Information” (TI 38K03A01-01E). Throughout this Technical Information, refer to only portions pertaining to fieldbuses and read “FCU” as “FCN-500, FCN-100 or FCN-RTU” and “ACF11” as “NFLF111.”

## ■ ORDERING INFORMATION

Specify the model and suffix codes. For selecting the right products for explosion protection, please refer to “STARDOM FCN/FCJ Installation Guide” (TI 34P02Q91-01E) without fail.

## ■ TRADEMARKS

- STARDOM is a trademark of Yokogawa Electric Corporation.
- “FOUNDATION” of “FOUNDATION fieldbus” is a registered trademark of the Fieldbus Foundation.
- Other company and product names appearing in this document are trademarks or registered trademarks of their respective holders.