

General Specifications

DO-523-A3

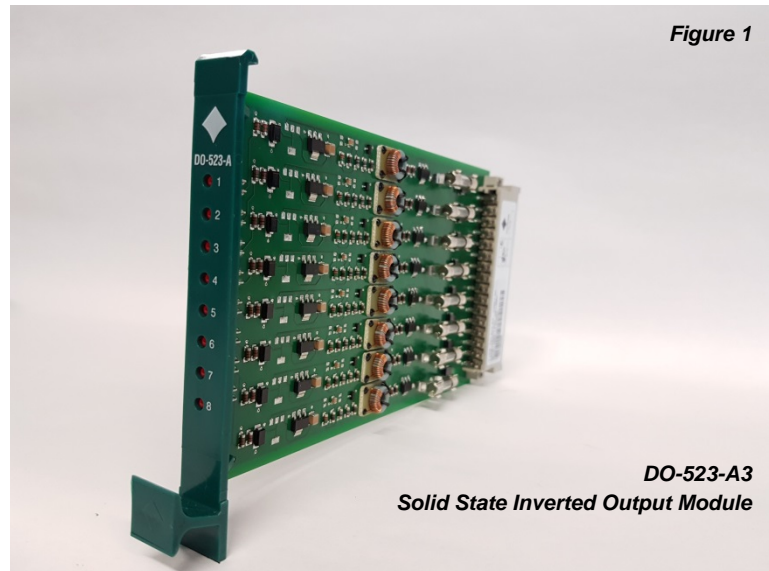
ProSafe-SLS™

GS48C23A03-00E-N

Solid State Inverted Output Module

■ GENERAL

The DO-523-A is an eight channel solid state output module with inverted outputs.



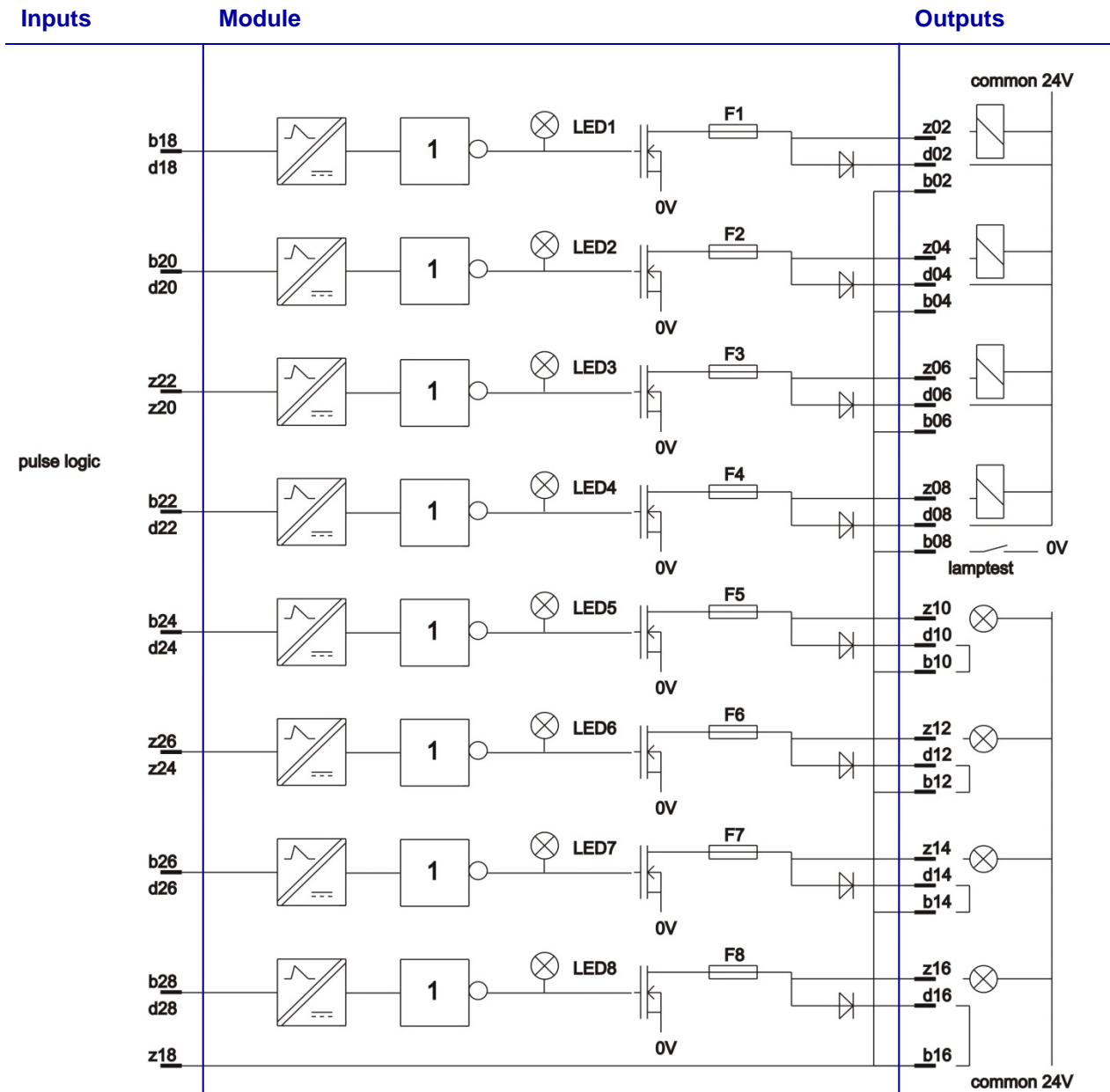
The module converts current pulses to a current sink output with inversion. The inputs and outputs are galvanically isolated. Each output is protected with a fuse.

The module can be used as a lamp- and/or relay driver.

For driving relays a clamp diode is available on the module. This diode must also be used if the lamp test function is implemented. The functional diagram shows how to wire up the various output capabilities.

The LEDs on the front indicate the activated outputs.

FUNCTIONAL DIAGRAM



Supply

Notes

Front

z32	24 Vdc field
z30	0 Vdc field
z28	0 Vdc field
b32	not used
d32	not used
d30	not used
b30	not used

Use z18, b02-b16 for commons.

- 1 output circuit 1
- 2 output circuit 2
- 3 output circuit 3
- 4 output circuit 4
- 5 output circuit 5
- 6 output circuit 6
- 7 output circuit 7
- 8 output circuit 8



■ SPECIFICATIONS

Description		Data
General	Number of channels	8
	Width	3HP
	Identification	DO-523-A on front and more detailed on connector label
	Weight	125 gram
Input	Output type	Current pulse 500 mA
	Unit load	1
Output	Output type	Current sink solid state
	Voltage	60 Vdc
	Current	1 A
	Fuse	1 A fast
	Voltage drop	< 0.5 V
	Leakage current	< 100 μ A
	Status indications	Red LED per output
Propagation	On delay	ca. 60 msec.
	Off delay	1 - 5 msec.
Supply	Field supply	24 Vdc \pm 10% < 1 V top-top ripple 25 mA
Dissipation		4 W with all outputs on and at full load

■ NOTES