

General Specifications

SA-539-01

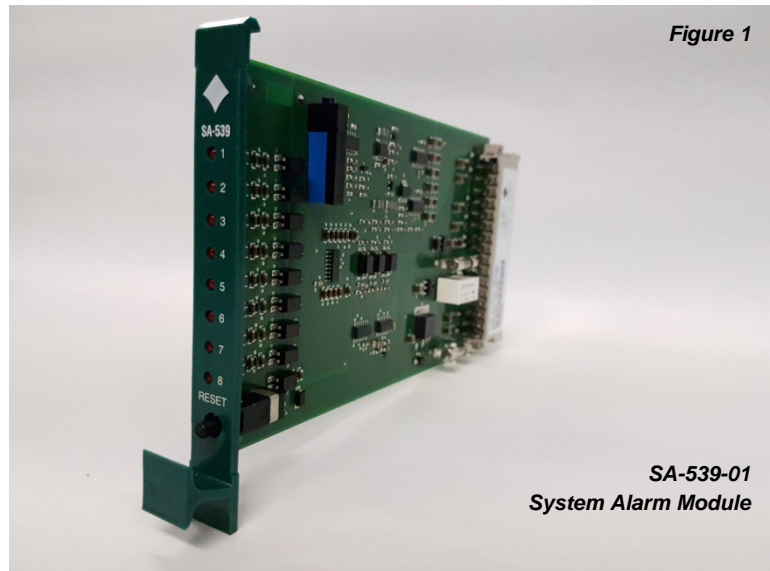


GS48C39Z01-00E-N

System Alarm Module

■ GENERAL

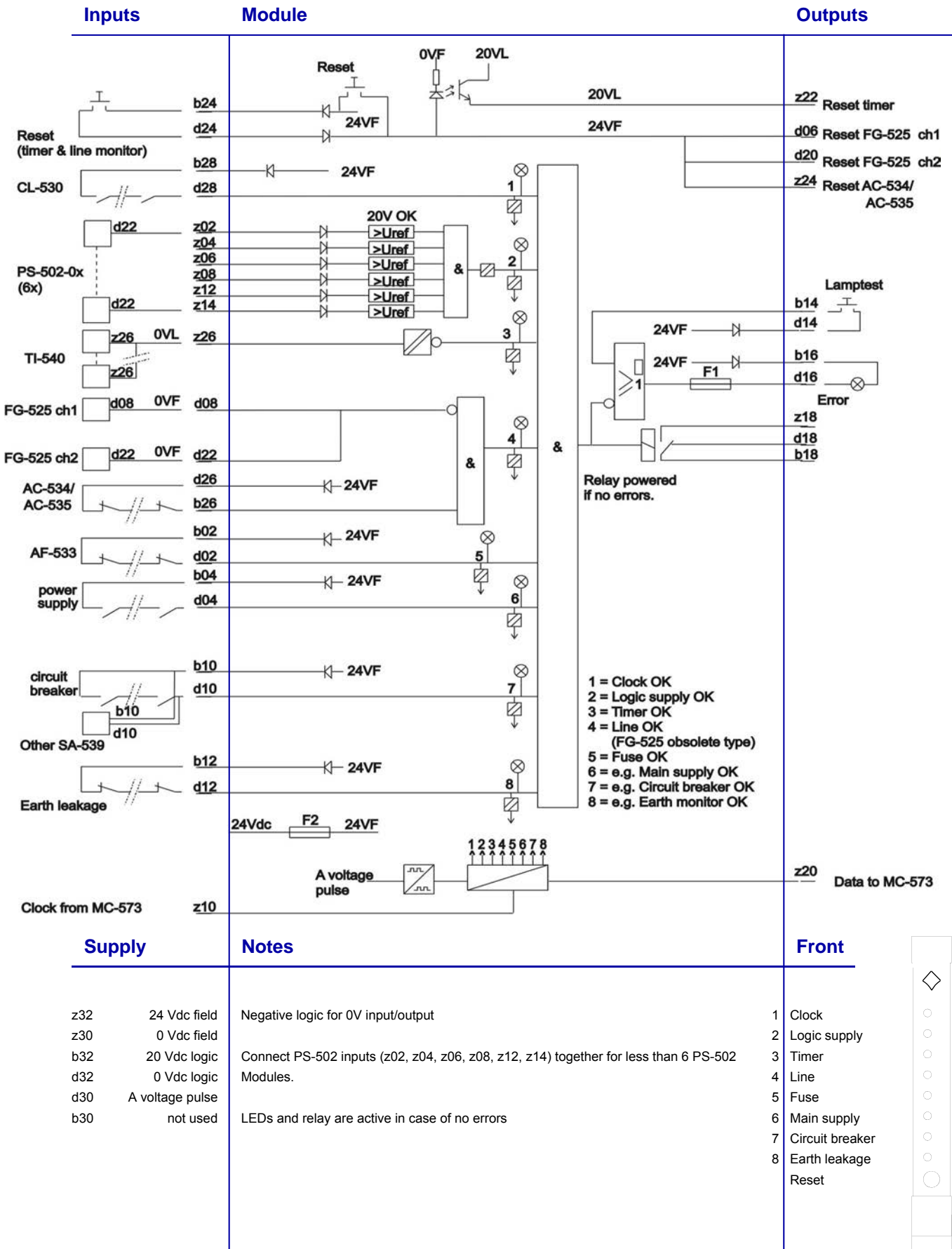
This System Alarm module provides centralized fault detection and signaling via alarm light and relay.



Eight categories of faults are distinguished, including power supplies, clocks/timers, fuses, circuit breakers, etc.

Eight LEDs on the module's front show the fault categories, a connection to the Sequence of Event Recording system (SER) yields the same information.

FUNCTIONAL DIAGRAM



■ SPECIFICATIONS

Description		Data
General	Number of channels	1 (8 sub channels)
	Width	3HP
	Identification	SA-539 on front and more detailed on connector label
	Weight	120 gram
Input	Reset	24 V, 1 mA + load current, threshold 6 - 18 V
	CL-530 ok	24 V, 1 mA, threshold 6 - 18 V
	PS-502 power	20.3 V, 1 mA, threshold 20.0 V ± 0.1 V
	TI-540 error	0 V, 1 mA, threshold 5 - 15 V
	FG-525 error	0 V, 1 mA, threshold 5 - 15 V
	AC-534/535 ok	24 V, 1 mA, threshold 6 - 18 V
	AF-533 ok	24 V, 1 mA, threshold 6 - 18 V
	Power supply ok	24 V, 1 mA, threshold 6 - 18 V
	Circuit-breaker ok	24 V, 1 mA, threshold 6 - 18 V
	Earth leakage ok	24 V, 1 mA, threshold 6 - 18 V
	Lamp test	24 V, 1 mA, threshold 6 - 18 V
	Clock	Clock pulses from MC-573, level 0 / 11 V
Output	24 VF	Common fuse 0.4 A fast
	Reset timer	20 V, 50 mA (electronically protected)
	Reset FG/AC	24 V, 200 mA (fuse protected when reset switch connected to b24-d24)
	Error lamp	Current sink 60 Vdc, 0.25 A (fuse 0.25 A fast)
	Relay contact	60 Vdc, 48 Vac, 0.5 A, min. load 1 V / 0.5 mA
	Data	8 bit serial data, level 0 / 11 V
Propagation	On/off delay to MC-573	5 - 35 msec.
	On delay to contact	130 msec., relay deactivated
	Off delay to contact	35 msec., relay activated
	On delay to lamp	50 msec., lamp on
	Off delay to lamp	130 msec., lamp off
Supply	Field supply	24 Vdc ± 10% 40 mA with no error lamp current 280 mA with maximum error lamp current
	Logic supply	20 Vdc 15 mA with no timer reset activated 70 mA with timer reset activated
	Clock	A pulse, level 0 / 20 V
Dissipation		< 1.6 W

■ NOTES