

General Specifications

FM-550-03

ProSafe-SLS™

GS48C50Z03-00E-N

Logic Module

■ GENERAL

This logic function module has two multiple input AND gates with OR gate expansions.



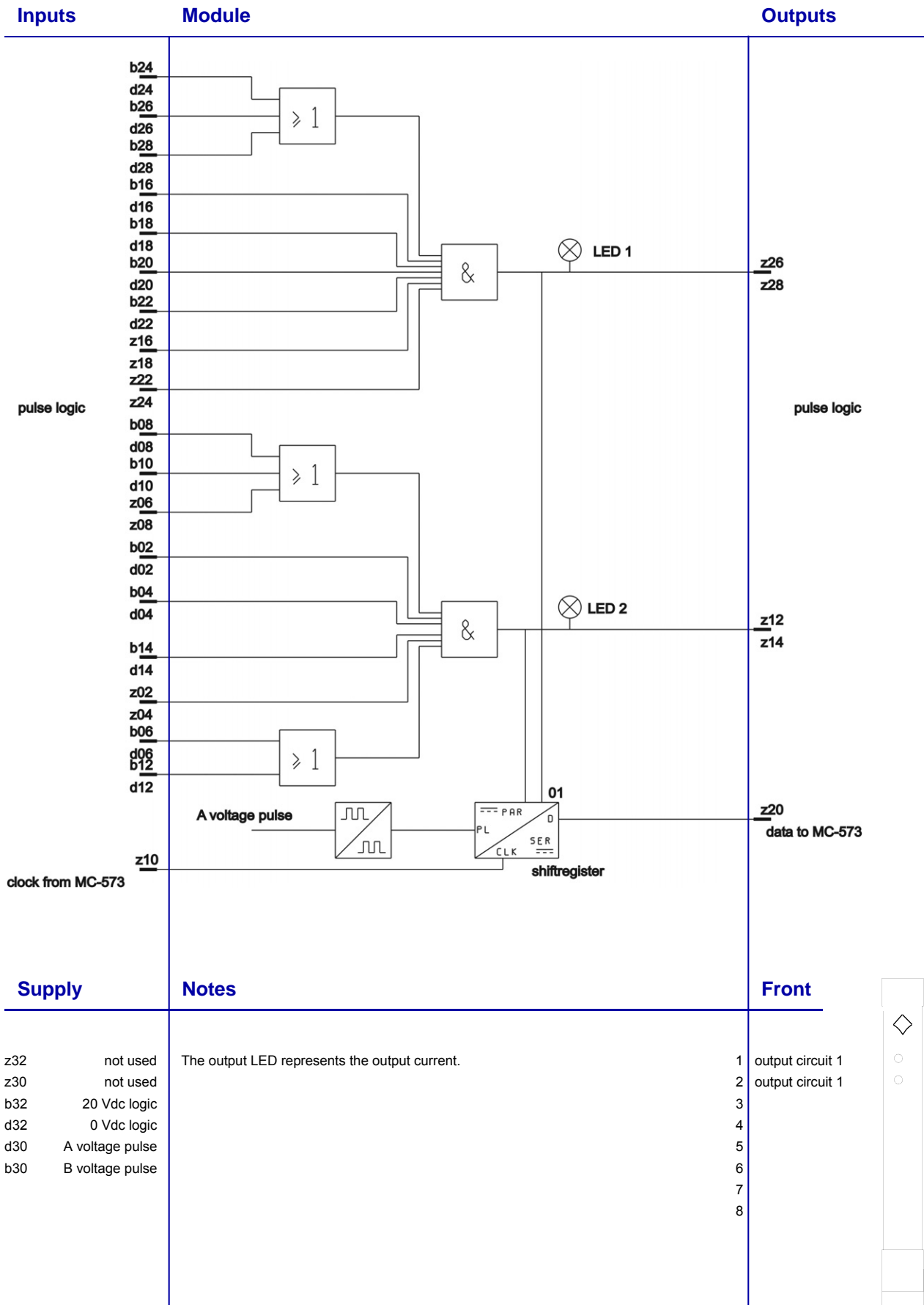
The module is suitable for fail-safe applications

Channel 1 is a 7 input AND gate with one OR gate expansion input.
Channel 2 is a 6 input AND gate with two OR gate expansion inputs.

The module is provided with 2 red LEDs indicating the outputs of the AND gates.

The module is equipped with monitoring circuitry for connection to the Sequence of Event Recording (SER) system.

FUNCTIONAL DIAGRAM



■ SPECIFICATIONS

Description		Data
General	Number of channels	2
	Width	3HP
	Identification	FM-550 on front and more detailed on connector label
	Weight	120 gram
Input	Pulse logic	Current pulse 500 mA
	Unit load	1
	Clock	Clock pulses from MC-573, level 0 / 11 V
Output	Pulse logic	Current pulse 500 mA
	Capacity	10 units loads
	Status indication	Red LED per output
	Data	8 bits serial data, level 0 / 11 V
Propagation	Propagation delay	1 msec. from input to output
Supply	Logic supply	20 V < 20 mA
	Clock	A and B pulse, level 0 / 20 V
Dissipation		< 0.4 W

■ NOTES