

General Specifications

FM-557-01

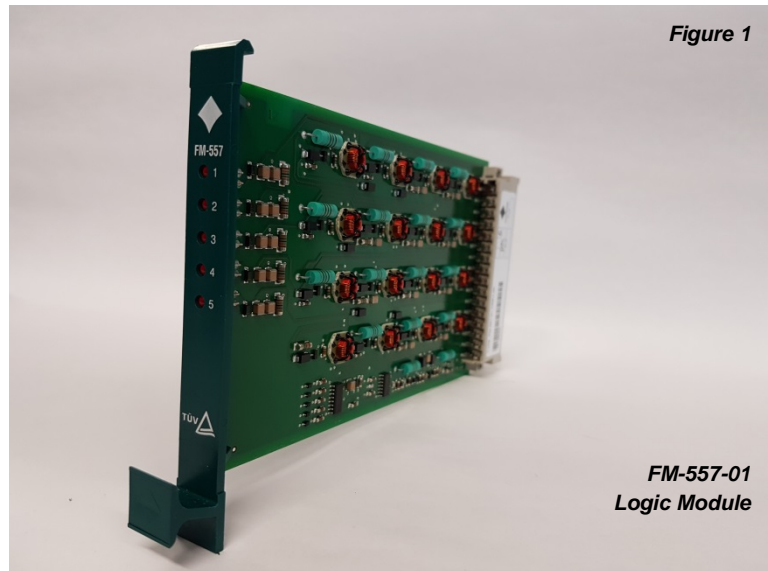
ProSafe-SLS™

GS48C57Z01-00E-N

Logic Module

■ GENERAL

This logic function module has five two input AND gates with OR expansion on one input.

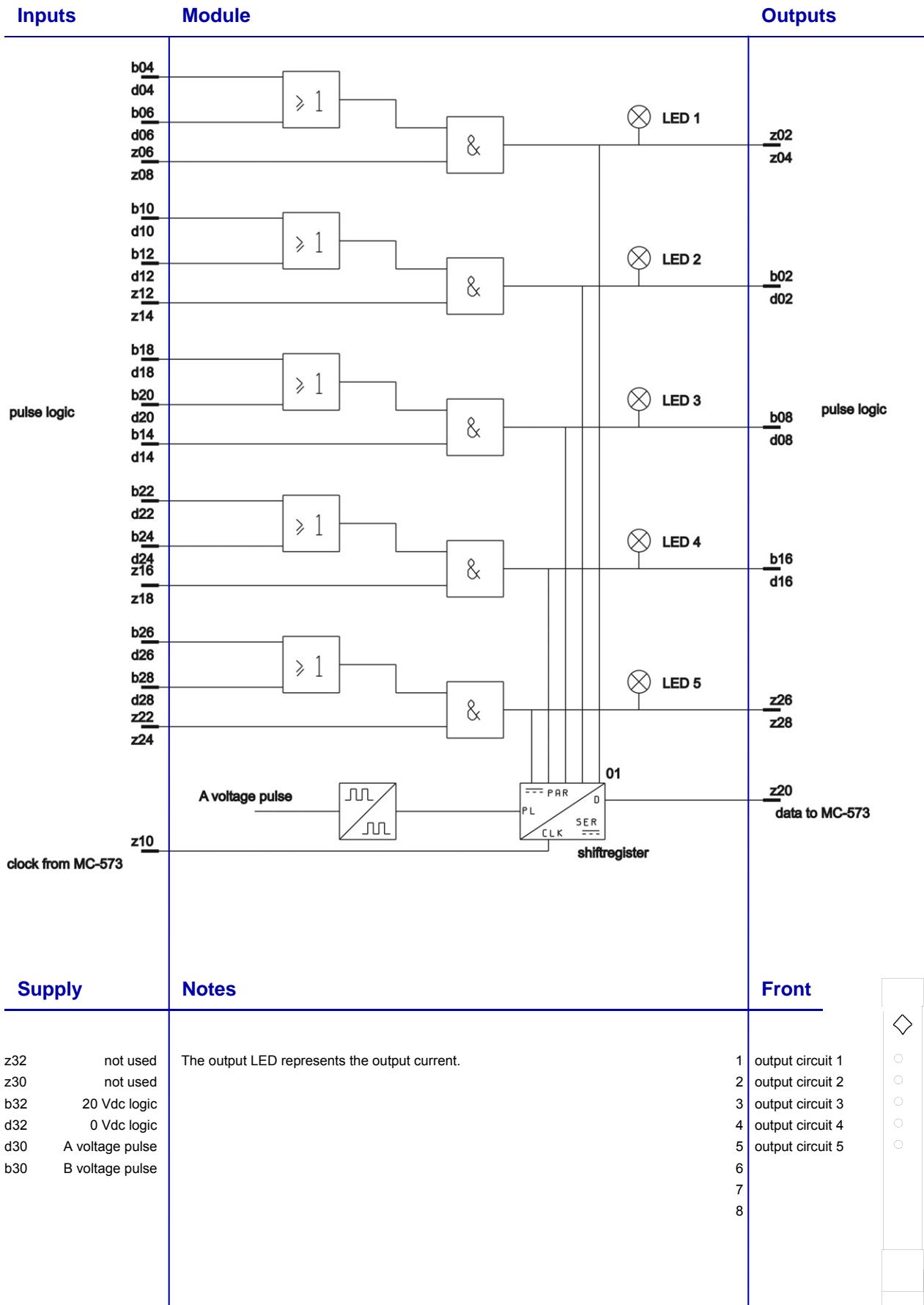


The module is suited for fail-safe applications.

The module is provided with 5 red LEDs, indicating the outputs of the channels.

The module is equipped with monitoring circuitry for connection to the Sequence of Event Recording (SER) system.

FUNCTIONAL DIAGRAM



■ SPECIFICATIONS

Description		Data
General	Number of channels	5
	Width	3HP
	Identification	FM-557 on front and more detailed on connector label
	Weight	120 gram
Input	Pulse logic	Current pulses 500 mA
	Unit load	1
	Clock	Clock pulses from MC-573, level 0 / 11 V
Output	Pulse logic	Current pulse 500 mA
	Capacity	10 units loads
	Status indication	Red LED per output
	Data	8 bits serial data, level 0 / 11 V
Propagation	Propagation delay	1 msec. from input to output
Supply	Logic supply	20 Vdc < 20 mA
	Clock	A and B pulse, level 0 / 20 V
Dissipation		< 0.4 W

■ NOTES