

# General Specification

## Models CTW15 and CTW35 Clamp-on Current Transformers

GS 77C01W03-01E

### General

The CTW series are clamp-on current transformers that can be installed much easier than conventional current transformers, whereby saving labor.

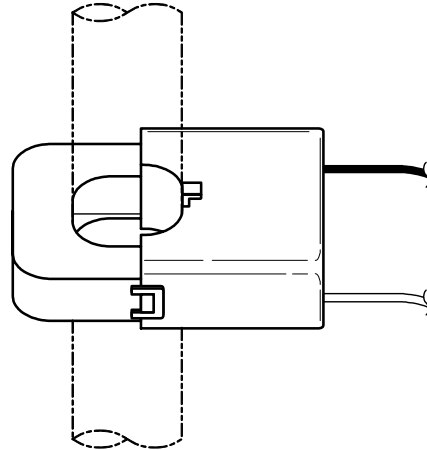
These transformers are particularly useful when expanding existing system since you can attach them to a cable without having to cut it.

### Features

The clamp-on type makes the installation much easier for both existing and newly-established systems.

Being able to fix the transformer to power line directly enables users to select the installing point comparatively freely.

The CTW series contain a device for suppressing hazardous voltages that may arise when the secondary line is open-circuited. It prevents a burnout or outage.



### Models

Models	Name
CTW15	Clamp-on Current Transformer (for 100 A / 1 A) Applicable cable diameter: less than $\phi 24$ mm
CTW35	Clamp-on Current Transformer (for 100 A / 1 A) Applicable cable diameter: less than $\phi 36$ mm

### Instruction Required when Ordering

Model

Example: CTW15

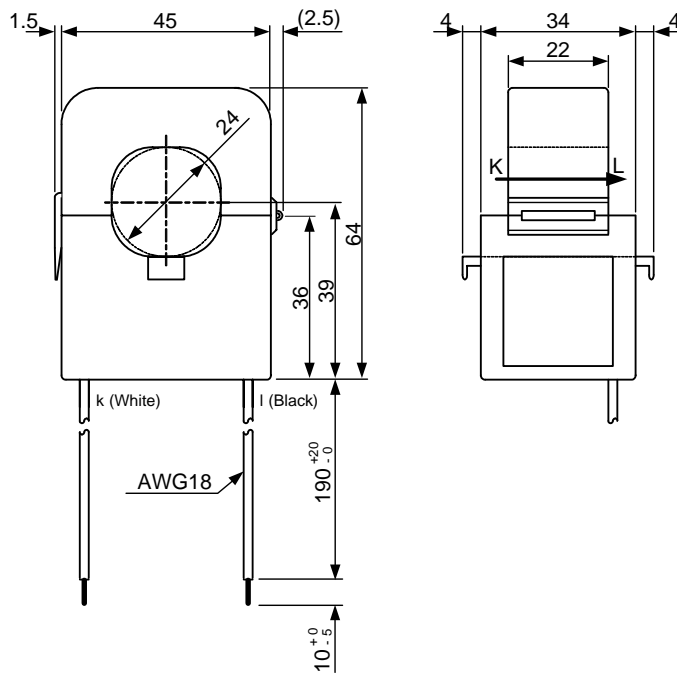
### Characteristic Specifications

Models	CTW15	CTW35
Rated primary current (In)	100 A	300 A
Rated secondary current	1 A	1 A
Rated frequency	50 / 60 Hz	
Rated burden	0.3 VA	0.5 VA
Accuracy / Linearity	$\pm 1.0\%$ against rated primary current In	
Phase difference	Within $\pm 2^\circ$ against rated primary current In	
Operating circuit voltage	Within 500 V AC	
Insulation resistance	100 M $\Omega$ or more at 500 V DC (across core and output)	
Withstand voltage	200 V AC for one minute (across core and output)	
Operating temperature range	-20 to 50°C (no condensation)	
Operating conditions	Indoor location	
Weight	Approx. 160 g	Approx. 220 g

### External Dimensions

Unit: mm

CTW15



CTW35

