

This manual contains important information for safe operation of this product and common information among user's manuals on this product. Should thoroughly read this manual prior to other manuals before using this product.

■ Regarding This Manual

- This manual should be passed on to the end user.
- The contents of this manual are subject to change without prior notice.
- All rights reserved. No part of this manual may be reproduced in any form without Yokogawa's written permission.
- Yokogawa makes no warranty of any kind with regard to this manual, including, but not limited to, implied warranty of merchantability and fitness for a particular purpose.
- If any question arises or errors are found, or if any information is missing from this manual, please inform the nearest Yokogawa sales office.
- The specifications covered by this manual are limited to those for the standard type under the specified model number break-down and do not cover custom-made instruments.
- Please note that changes in the specifications, construction, or component parts of the instrument may not immediately be reflected in this manual at the time of change, provided that postponement of revisions will not cause difficulty to the user from a functional or performance standpoint.
- This manual is intended for the following personnel.
 - Engineers responsible for installation and wiring of the product.
 - Personnel responsible for normal daily operation and maintenance of the product.
- This manual is part of the product. Keep on safe place for future reference.



WARNING

Indicates a potentially hazardous situation which, if not avoided, could result in death or serious injury.



CAUTION

Indicates a potentially hazardous situation which, if not avoided, may result in minor or moderate injury. It may also be used to alert against unsafe practices.

IMPORTANT

Indicates that operating the hardware or software in this manner may damage it or lead to system failure.

NOTE

Draws attention to information essential for understanding the operation and features.



Direct current



Functional grounding terminal



Caution

This symbol indicates that the operator must refer to an explanation in the user's manual in order to avoid the risk of injury or death of personnel or damage to the instrument.



1. Introduction

To ensure correct use this product, read the following manuals. Read the following general specifications for its specification. Enable to download the following website of Yokogawa. If you cannot download them, contact Yokogawa representatives.

In order to download the file, access the URL below and enter the document number listed exactly as it appears, including spaces, in the search box on the page. Please be sure to enter the alphabet in uppercase letters.

Website address:

<https://www.yokogawa.com/solutions/products-platforms/field-instruments/>

Table 1.1 Manual List and Applicable Style Code

[EJX S Series KEY Manual]

Models	Document No.	Style
EJX S Series Read Me First	IM 01C33A01-01Z1	—

[EJX S Series Hardware Manual]

Models	Document No.	Style
EJX S Series	IM 01C33B01-01EN	S1

[EJX S Series Communication Manual]

Type	Document No.	Style
HART Communication Type	IM 01C33A10-01EN	—
PROFINET Communication Type	IM 01C33A11-01EN	—

[EJX S Series Function Safety Manual]

Models	Document No.	Style
EJX S Series	TI 01C33A01-01Z1	—

[EJX S Series Explosion Protected Manual]

Models	Explosion Type	Document No.
EJX S Series	Canada	IM 01C33A21-01EN
	USA	
	ATEX	IM 01C33A20-01EN
	IECEX	

Note: An exclusive User's Manual might be attached for the products whose suffix codes or optional codes contain code "Z". Please read it along with the standard manuals.

Table 1.2 General Specifications List

Models	Document No.
EJX110S	GS 01C33C10-01EN GS 01C33C10-02EN
EJX310S	GS 01C33D10-01EN
EJX430S	GS 01C33E10-01EN
EJX510S and EJX530S	GS 01C33F20-01EN GS 01C33F30-01EN

1.1 For Safe Use of Product

For the protection and safety of the operator and the instrument or the system including the instrument, please be sure to follow the instructions on safety described in this manual when handling this instrument. In case the instrument is handled in contradiction to these instructions, Yokogawa does not guarantee safety. Please give your attention to the followings.



WARNING

(a) Installation

- The instrument must be installed by an expert engineer or a skilled personnel. The procedures described about INSTALLATION are not permitted for operators.
- In case of high process temperature, care should be taken not to burn yourself because the surface of body and case reaches a high temperature.
- The instrument installed in the process is under pressure. Never loosen the process connector bolts to avoid the dangerous spouting of process fluid.
- During draining condensate from the pressure detector section, take appropriate care to avoid contact with the skin, eyes or body, or inhalation of vapors, if the accumulated process fluid may be toxic or otherwise harmful.
- When removing the instrument from hazardous processes, avoid contact with the fluid and the interior of the meter.
- All installation shall comply with local installation requirement and local electrical code.

(b) Wiring

- Confirm that voltages between the power supply and the instrument before connecting the power cables and that the cables are not powered before connecting.
- Do not connect a power source other than the specified rating.
- Do not connect commercial AC power.
- This instrument is not equipped with a circuit breaker. Follow the hardware manual and use appropriate overcurrent protection devices in the power supply equipment, such as using a distributor or connecting load resistors in the same loop.
- Use copper or aluminum conductors for wiring.

(c) Operation

- Wait 5 min. after power is turned off, before opening the covers.
- Do not open the cover in wet weather or humid environment. If the cover is opened, stated enclosure protection is not applicable.
- Do not use equipment as foothold.

(d) Maintenance

- Perform only the maintenance procedures described in this manual. If necessary, contact your nearest Yokogawa sales office.
- Care should be taken to prevent the build up of drift, dust or other material on the display glass and nameplate. In case of its maintenance, soft cloth is used.

(e) Explosion Protected Type Instrument

- Users of explosion-proof equipment should refer to the explosion-proof manual supplied with each product.
- The use of explosion-proof equipment is restricted to those who have received appropriate training in the device.
- When accessing equipment or peripherals in hazardous locations, be careful to avoid static electricity or sparks from impact or friction.
- Do not remove the case cover in hazardous location.
- In the case of the explosion-proof/flameproof type transmitter, do not rotate the transmitter part in the hazardous area while the transmitter is energized.

(f) Modification

- Yokogawa will not be liable for malfunctions or damage resulting from any modification made to this instrument by the customer.

(g) Product Disposal

- The instrument should be disposed of in accordance with local and national legislation/regulations.

(h) Authorized Representative in EEA and the importer into the EU/EEA market

- In relation to the CE Marking, the authorized representative for this product in the EEA (European Economic Area) is:

Yokogawa Europe B.V.

Euroweg 2, 3825 HD Amersfoort, The Netherlands and the importer for this product into the EU/EEA market via the YOKOGAWA sales channel is:

Yokogawa Europe B.V.

Euroweg 2, 3825 HD Amersfoort, The Netherlands
If you require instructions in a language other than English, please contact the Authorized Representative.

(i) Morocco conformity mark 

- This conformity mark indicates that the product complies with Moroccan safety and EMC requirements.

(j) Control of Pollution Caused by the Product**j-1: EU RoHS**

This instrument with Approval code “-K**” or “-VU1” complies with the EU RoHS Directive (EN IEC 63000).

j-2: China Control of Pollution caused by electronic information product

Please refer to the IM 01C00A20-01ZH for information on our management status pursuant to “Control of Pollution caused by Electronic Information Products” of the People’s Republic of China. Please search for the IM number in the Yokogawa library “ <https://www.yokogawa.com/library/> ”.

(k) Information on EU WEEE Directive

- EU WEEE (Waste Electrical and Electronic Equipment) is only valid in the EU.
- This product is intended to be sold and used only as a part of equipment which is excluded from WEEE, such as large-scale stationary industrial tools, a large-scale fixed installation and so on, and, therefore, subjected to the exclusion from the scope of the WEEE. The product should be disposed of in accordance with local and national legislation/regulations.

1.2 Warranty and Disclaimer

- Except as specified in the warranty terms, YOKOGAWA shall not provide any warranty for the product.
- YOKOGAWA shall not be liable for any indirect or consequential loss incurred by either using or not being able to use the product.

1.3 Trademarks

- ‘OpreX’ and ‘FieldMate’ are registered trademarks of Yokogawa Electric Corporation. Company names and product names used in this material are registered trademarks or trademarks of their respective owners.
- In this manual, trademarks or registered trademarks are not marked with TM or ®.

2. Handling Cautions

2.1 Model and Specifications Check

The main nameplate contains the model name and specifications. The sub nameplate contains the ordering information. Please make sure that the contents of your order match the contents of the nameplates.

The sub nameplate can be replaced by the customer.

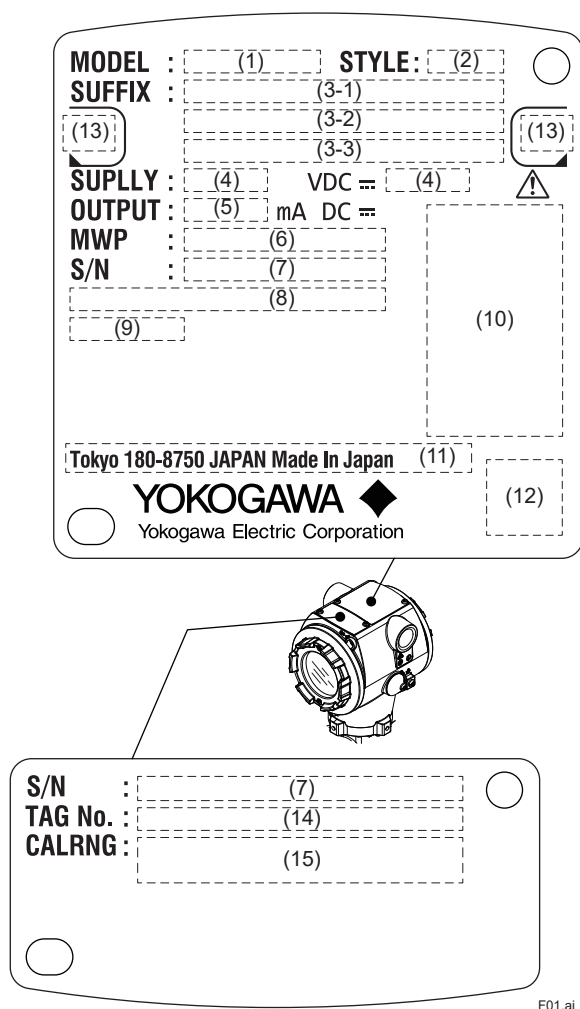


Figure 2.1 Main nameplate (top), Sub nameplate (bottom)

2.1.1 Main Nameplate, Sub Nameplate Presentation Item

(1)	Model name
(2)	Style code
(3)	Suffix code, +Optional code
(4)	Power supply voltage: Units vary depending on specifications.
(5)	Output
(6)	MAX working pressure
(7)	Serial number 9 letters: AAAnnnnnn AA: Identification code of production site Japan: "91" or "90" Brazil: "B1" Germany: "D1" CHINA: "S7" USA: "U1" India: "Y1" Saudi Arabia: "Y3" UAE: "Y4"
(8)	Custom-made number
(9)	Date of manufacture: YYYY.MM
(10)	The description will change depending on the selected specifications.
(11)	The address of the production location will be listed.
(12)	QR code: It can check the specifications of the applicable products on the Customer Portal site.
(13)	The screw types of the left and right electrical connection.
(14)	TAG No.
(15)	Customer specified range

2.2 Selecting the Installation Location

The transmitter is designed to withstand severe environmental conditions. However, to ensure that it will provide years of stable and accurate performance, take the following precautions when selecting the installation location.

(a) Ambient Temperature

Avoid locations subject to wide temperature variations or a significant temperature gradient. If the location is exposed to direct sunlight or radiant heat from plant equipment, provide adequate shade, thermal insulation and/or ventilation.

(b) Ambient Atmosphere

Do not install the transmitter in a corrosive atmosphere. If this cannot be avoided, there must be adequate ventilation as well as measures to prevent the leaking of rain water and the presence of standing water in the conduits.

(c) Shock and Vibration

Although the transmitter is designed to be relatively resistant to shock and vibration, an installation site should be selected where this is kept to a minimum.

(d) Noise Avoidance

The pressure transmitter should be installed away from electrical motors, transformers, and other power sources in order to avoid interference with measurement.

(e) Installation of explosion-proof instruments

Certified explosion-proof instruments can be installed and used in hazardous areas according to the explosive atmosphere. For the handling of explosion-proof instruments, please follow the contents of the instruction manual of each explosion-proof specification and install them correctly in accordance with the laws and regulations of each explosion-proof standard and place of use.

2.3 Pressure Connection



- Never loosen the process connector bolts when an instrument is installed in a process. The device is under pressure, and a loss of seal can result in a sudden and uncontrolled release of process fluid.
- When draining toxic process fluids that have condensed inside the pressure detector, take appropriate steps to prevent the contact of such fluids with the skin or eyes and the inhalation of vapors from these fluids.

The following precautions must be observed in order to safely operate the transmitter under pressure.

- Make sure that the process connector bolts are tightened firmly.
- Make sure that there are no leaks in the impulse piping.

Never apply a pressure higher than the specified maximum working pressure.

2.4 EMC Conformity Standards

EN 61326-1 Class A, Table 2

EN 61326-2-3



CAUTION

To meet EMC regulations, Yokogawa recommends that customers run signal wiring through metal conduits or use shielded twisted-pair cabling when installing EJX S Series transmitters in a plant. This equipment is a Class A product, and it is designed for use in the industrial environment. Please use this instrument in the industrial environment only.

2.5 Pressure Equipment Directive (PED)

(1) General

- EJX S Series pressure transmitters are categorized as piping under the pressure accessories section of directive 2014/68/EU, which corresponds to Article 4, Paragraph 3 of PED, denoted as Sound Engineering Practice (SEP).
- EJX110S, EJX430S, EJX510S and EJX530S can be used above 200 bar and therefore considered as a part of a pressure retaining vessel where category III, Module H applies. These models with option code /PE3 conform to that category.

(2) Technical Data

- Models without /PE3
Article 4, Paragraph 3 of PED, denoted as Sound Engineering Practice (SEP).
- Models with /PE3
Module: H
Type of Equipment: Pressure Accessory-Vessel
Type of fluid: Liquid and Gas
Group of fluid: 1 and 2

(3) Operation**CAUTION**

- The temperature and pressure of fluid should be maintained at levels that are consistent with normal operating conditions.
- The ambient temperature should be maintained at a level that is consistent with normal operating conditions.
- Please take care to prevent water hammer and the like from inducing excessive pressures in pipes and valves. If phenomena are likely, install a safety valve or take some other appropriate measure to prevent pressure from exceeding PS.
- Take appropriate measures at the device or system level to protect transmitters if they are to be operated near an external heat source.

Model	Capsule code	PS(*1) (bar)	V(L)	PS-V (bar-L)	TS(*2) (°C)	Category (*3)
EJX110S	E	0.5	0.01	0.005	-40 to 120	Article 4, Paragraph 3 (SEP)
	F, L, J, K, P, Q	160	0.01	1.6		
	M, H, V	250	0.01	2.5		
EJX110S with code /PE3	M, H, V	250	0.01	2.5	-29 to 120	III
EJX110S	1, 2, 3, 5, 6	500	0.01	5	-40 to 120	Article 4, Paragraph 3 (SEP)
EJX110S with code /PE3		500	0.01	5		III
EJX310S	L	160	0.01	1.6	-40 to 100	Article 4, Paragraph 3 (SEP)
	M, A, B				-40 to 120	
EJX430S	H, A, B	160	0.01	1.6	-40 to 120	Article 4, Paragraph 3 (SEP)
	C, D	500	0.01	5	-40 to 120	Article 4, Paragraph 3 (SEP)
EJX430S with code /PE3	C, D	500	0.01	5		III
EJX510S	A, B, C	100	0.1	10	-40 to 120	Article 4, Paragraph 3 (SEP)
	D	700	0.1	70		
EJX510S with code /PE3	D	700	0.1	70	III	
EJX530S	A, B, C	100	0.1	10	-40 to 120	Article 4, Paragraph 3 (SEP)
	D	700	0.1	70		
EJX530S with code /PE3	D	700	0.1	70	III	

- *1: PS is maximum pressure for vessel itself based on Pressure Equipment Directive 2014/68/EU. Refer to General Specification for maximum working pressure of a transmitter.
- *2: TS is process temperature limits for vessel itself based on Pressure Equipment Directive 2014/68/EU. Refer to General Specification for temperature limits of a transmitter.
- *3: Referred to Table 1 covered by ANNEX II of EC Directive on Pressure Equipment Directive 2014/68/EU.

2.6 Safety Requirement Standards**CAUTION**

Pressure transmitters are used to measure the pressure or level of industrial liquids and gases. The output is transmitted to a control system. Use only for intended purpose.

Applicable standard:

EN 61010-1:2010 +A1:2019
C22.2 No.61010-1-12 + Amd1-18
FM 3810:2021

(1) Pollution Degree 2

“Pollution degree” describes the degree to which a solid, liquid, or gas which deteriorates dielectric strength or surface resistivity is adhering. “2” applies to normal indoor atmosphere. Normally, only non-conductive pollution occurs. Occasionally, however, temporary conductivity caused by condensation must be expected.

(2) Installation Category I

“Overvoltage category (Installation category)” describes a number which defines a transient overvoltage condition. It implies the regulation for impulse withstand voltage. “I” applies to electrical equipment which is supplied from the circuit when appropriate transient overvoltage control means (interfaces) are provided.

(3) Indoor/Outdoor use

It can be used indoors and outdoors.

(4) Altitude of installation site

Max. 5,000 m above sea level

(5) Supply Voltage

- HART protocol type (with LCD display and without display)
10.5 to 42 V DC for general use and flameproof type.
10.5 to 30 V DC for intrinsically safe type.
Minimum voltage limited at 16.25 V DC for digital communications.
- HART protocol type (with Graphic display)
12 to 42 V DC for general use and flameproof type.
Minimum voltage limited at 17.75 V DC for digital communications.
- PROFINET protocol type
9 to 15 V DC

(6) Normal Operating Condition (Optional features or approval codes may affect limits.)

- Ambient Temperature Limits
–40 to 85°C (–40 to 185°F)
–30 to 80°C (–22 to 176°F) with Display
- Process Temperature Limits
–40 to 120°C (–40 to 248°F)
- Ambient Humidity Limits
0 to 100% RH
- Enclosure
IP66/IP67/IP68 (maximum depth of 20 meters up to 168 hours),
Type 4X

NOTE

Not guaranteed for use underwater.

3. Wiring

3.1 Wiring Precautions

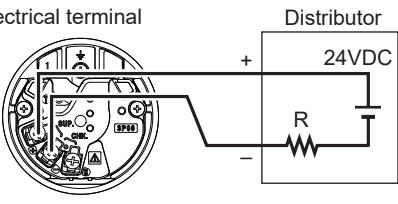
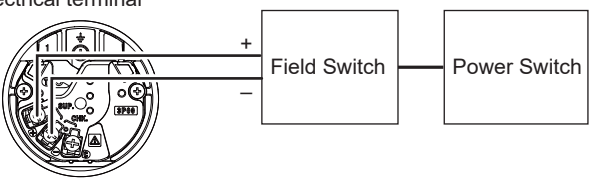
IMPORTANT

- Select wiring with the appropriate specifications.
- Lay wiring as far as possible from electrical noise sources such as large capacity transformers, motors, and power supplies.
- To prevent noise pickup, do not pass signal and power cables through the same ducts.

3.2 Power Supply

IMPORTANT

Connecting with the commercial AC power supply will damage the device. Be sure to use the DC power supply in the predetermined range.

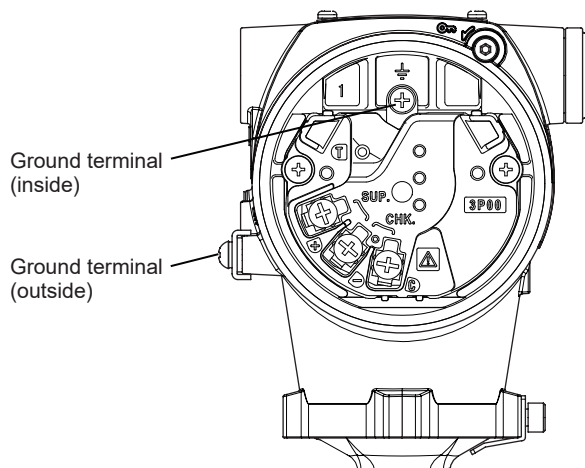
Output signal type	Wiring
4 to 20 mA DC with digital communication (HART 7 protocol)	<p>Electrical terminal</p> 
PROFINET over Ethernet-APL	<p>Electrical terminal</p> 

F02.ai

3.3 Grounding

Grounding is always required for the proper operation of transmitters. Follow the domestic electrical requirements as regulated in each country. For a transmitter with a built-in lightning protector, grounding should satisfy ground resistance of 10Ω or less.

Ground terminals are located on the inside and outside of the terminal box. Either of these terminals may be used.



F03.ai

Revision Information

Title: OpreX Pressure Transmitter
EJX S Series Read me first

Manual No.: IM 01C33A01-01Z1

February 2026/1st Edition
Newly published

YOKOGAWA 

YOKOGAWA ELECTRIC CORPORATION

Headquarters
9-32, Nakacho, 2-chome, Musashino-shi, Tokyo, 180-8750 JAPAN
Phone : 81-422-52-5555

Branch Sales Offices
Osaka, Nagoya, Kurashiki, Hiroshima, Fukuoka, Kitakyusyu

YOKOGAWA CORPORATION OF AMERICA

Head Office
12530 West Airport Blvd, Sugar Land, Texas 77478, USA
Phone : 1-281-340-3800 Fax : 1-281-340-3838

Georgia Office
2 Dart Road, Newnan, Georgia 30265, USA
Phone : 1-800-888-6400 Fax : 1-770-254-0928

YOKOGAWA AMERICA DO SUL LTDA.

Alameda Xingu 850 Barueri CEP 06455-030- Barueri – SP/Brasil
Phone : 55-11-3513-1300 (Sales, Engineering and Service)
55-11-5681-2400 (Manufacturing and Procurement)
Fax : 55-11-5681-4434

YOKOGAWA EUROPE B. V.

Euroweg 2, 3825 HD Amersfoort, THE NETHERLANDS
Phone : 31-88-4641000 Fax : 31-88-4641111

YOKOGAWA ELECTRIC CIS LTD.

Grokholsky per 13 Building 2, 4th Floor 129090, Moscow, RUSSIA
Phone : 7-495-737-7868 Fax : 7-495-737-7869

YOKOGAWA CHINA CO., LTD.

Room 1801, Tower B, THE PLACE, No.100 Zunyi Road, Changning District, Shanghai, CHINA
Phone : 86-21-80315000, 86-21-62396262 Fax : 86-21-54051011

YOKOGAWA ELECTRIC KOREA CO., LTD.

(Yokogawa B/D, Yangpyeong-dong 4-Ga), 21, Seonyu-ro 45-gil, Yeongdeungpo-gu, Seoul, 07209, KOREA
Phone : 82-2-2628-6000 Fax : 82-2-2628-6400

YOKOGAWA ENGINEERING ASIA PTE. LTD.

5 Bedok South Road, Singapore 469270, SINGAPORE
Phone : 65-6241-9933 Fax : 65-6241-9919

YOKOGAWA INDIA LTD.

Plot No.96, Electronic City Complex, Hosur Road, Bangalore - 560 100, INDIA
Phone : 91-80-4158-6000 Fax : 91-80-2852-0625

YOKOGAWA AUSTRALIA PTY. LTD.

Tower A, 112-118 Talavera Road, Macquarie Park NSW 2113, AUSTRALIA
Phone : 61-2-8870-1100 Fax : 61-2-8870-1111

YOKOGAWA MIDDLE EAST & AFRICA B.S.C.(C)

P.O. Box 10070, Unit A7, Building 1320, Road 1516, Block 115, Al-Hidd, Kingdom of SAUDI ARABIA
Phone : 973-17358100 Fax : 973-17336100

Apr. '24

Printed in Japan

本取扱説明書（以下、本書と記載。）には、本計器を正しく安全にお使いいただくための重要な情報、および本書に記載する本計器の取扱説明書に共通の事項が記載されています。本計器をお使いになる前に、本書を必ずお読みください。

■ 本書に対するご注意

- ・ 本書は、最終ユーザまでお届けいただけますようお願いいたします。
- ・ 本書の内容は予告なく変更することがあります。
- ・ 本書の内容の全部または一部を無断で転載、複製することは禁止されています。
- ・ 本書は、本計器の市場性またはお客様への特定の目的への適合などについて保証するものではありません。
- ・ 本書の内容に関して、万が一ご不審な点や誤りなどお気づきのことがありましたら、当社各営業拠点またはご購入いただいた代理店までご連絡ください。
- ・ 特注仕様につきましては記載しておりません。
- ・ 機能・性能に支障がないと思われる仕様変更、構造変更、および使用部品の変更ににつきましては、本書の改訂が行われないことがありますので、ご了承ください。
- ・ 本書は、以下の担当者を対象としています。
 - 本計器の設置および配線を担当する技術者。
 - 本計器の日常的な操作と保守に責任を持つ担当者。
- ・ 本書は製品の一部です。大切に保管してください。
- ・ 本書では、安全に関する次のようなシンボルマークとシグナル用語を使用しています。



警告

回避しないと、死亡または重傷を招く恐れがある危険な状況が生じることが予見される場合に使う表示です。本書ではそのような場合その危険を避けるための注意事項を記載しています。



注意

回避しないと、軽傷を負うかまたは物的損害が発生する危険な状況が生じることが予見される場合に使う表示です。本書では取扱者の身体に危険が及ぶ恐れ、または計器を損傷する恐れがある場合、その危険を避けるための注意事項を記載しています。

重要

計器を損傷したり、システムトラブルになるおそれがある場合に、注意すべきことがらを記載しています。

注記

操作や機能を知るうえで、注意すべきことがらを記載しています。

- ・ 機器本体にはいくつかの記号が書かれています。その意味は以下の通りです。

— 直流

⊥ 機能接地端子



取扱注意

この記号は、人体および機器を保護するために、本書の説明を参照する必要がある場所についています。



1. はじめに

本計器を正しくお使いいただくために、以下の取扱説明書をよくお読みください。本計器の仕様については以下の一般仕様書をお読みください。下記の横河ホームページからダウンロードが可能です。ダウンロードできない場合は、弊社までお問い合わせください。ダウンロードするには、下記 URL をクリックし、ページ内の検索ボックスに記載されているドキュメント番号を、スペース含めて正確に入力してください。アルファベットは必ず大文字で入力してください。

Website address:

<https://www.yokogawa.com/solutions/products-platforms/field-instruments/>

表1.1 取扱説明書

[EJXS シリーズ KEY Manual]

形名	ドキュメント番号	Style
EJXS シリーズ はじめにお読みください	IM 01C33A01-01Z1	—

[EJXS シリーズ ハードウェアマニュアル]

形名	ドキュメント番号	Style
EJXS シリーズ	IM 01C33B01-01JA	S1

[EJXS シリーズ通信マニュアル]

種類	ドキュメント番号	Style
HART 通信	IM 01C33A10-01JA	—
PROFINET 通信	IM 01C33A11-01JA	—

[EJXS シリーズ機能安全マニュアル]

形名	ドキュメント番号	Style
EJXS シリーズ	TI 01C33A01-01Z1	—

[EJXS シリーズ防爆マニュアル]

形名	防爆	ドキュメント番号
EJXS シリーズ	カナダ防爆 アメリカ防爆	IM 01C33A21-01EN
	ATEX 防爆 IECEX 防爆	IM 01C33A20-01EN

注) サフィックスコードまたはオプションコードに「Z」が含まれる製品には、専用の取扱説明書が添付される場合があります。
標準マニュアルと合わせてお読みください。

表1.2 一般仕様書 (General Specifications)

形名	ドキュメント番号
EJX110S	GS 01C33C10-01JA GS 01C33C10-02JA
EJX310S	GS 01C33D10-01JA
EJX430S	GS 01C33E10-01JA
EJX510S, EJX530S	GS 01C33F20-01JA GS 01C33F30-01JA

1.1 本計器を安全にご使用いただくために

本計器を正しく安全にご使用いただくため、本書に記載されている安全に関する注意事項を必ずお守りください。本書に記載していない方法で使用すると、本計器によって提供されている保護が損なわれることがあります。なお、これらの注意に反したお取り扱いをされた場合は、当社はその安全を保障いたしません。以下の点にご留意ください。



警告

(a) 設置

- 機器は、専門のエンジニアまたは熟練した担当者が設置する必要があります。設置について説明されている手順は、オペレーターには許可されていません。
- プロセス温度が高い場合は、ボディとケースの表面が高温に達するため、火傷しないように注意してください。
- プロセスに設置された機器に圧力がかかっている場合、プロセス流体の危険な噴出を避けるために、プロセスコネクタボルトを緩めないでください。
- 圧力検出器部から凝縮液を排出する際に、皮膚、目、体との接触、または蒸気の吸入を避けるように注意してください。蓄積されたプロセス流体は、有毒またはその他の方法で有害である可能性があります。
- 危険な流体を扱うプロセスから機器を取り外すときは、液体や機器の内部に触れないようにしてください。
- すべての設置は、地域の設置要件と地域の電気工事規定に準拠する必要があります。

(b) 配線

- 電源ケーブルを接続する前に、電源と本器の間の電圧を確認し、ケーブルに電源が供給されていないことを確認してから接続してください。
- 規定の定格外の電源やAC電源を接続しないでください。
- 本機器には回路遮断器が設けられていません。スタートアップマニュアルに従い、ディストリビュータの使用や負荷抵抗を同一ループに接続するなど、電源設備に適切な過電流防止装置を使用してください。
- 配線には銅またはアルミニウムの導体を使用してください。

(c) 操作

- 電源を切ってから5分間待ってからカバーを開けてください。
- 雨天や湿気の多い場所ではカバーを開けないでください。カバーを開けた場合、記載されている筐体保護は適用されません。
- 機器を足場として使用しないでください。

(c) 操作

- 電源を切ってから5分間待ってからカバーを開けてください。
- 雨天や湿気の多い場所ではカバーを開けないでください。カバーを開けた場合、記載されている筐体保護は適用されません。
- 機器を足場として使用しないでください。

(d) メンテナンス

- メンテナンスには記述されている内容のみ行ってください。必要に応じて、最寄りの弊社営業所までご連絡ください。
- ディスプレイガラスと銘板に、ほこりや、その他の物質が蓄積しないように注意する必要があります。メンテナンスの場合は、柔らかい布を使用してください。

(e) 防爆形計器

- 防爆機器の使用者は、各製品に同梱されているマニュアルを必ず参照してください。
- 防爆機器の使用は、防爆機器に関する適切なトレーニングを受けたものに限定されます。
- 危険な場所にある装置や周辺機器にアクセスするときは、衝撃や摩擦による静電気や火花が発生しないように注意してください。
- 危険区域でカバーの取り外しを行わないでください。
- 防爆タイプの計器の場合、計器に通電している間は、危険場所で伝送部を回転させないでください。

(f) 変更

- お客様による本計器の改造に起因する故障や損害について、横河電機は一切の責任を負いません。

(g) 製品廃棄

- 本計器は、地域および国の法律 / 規制に従って廃棄する必要があります。

(h) EEA (European Economic Area) における認定代理人について

- 本計器における CE マークに関する EEA (European Economic Area) での認定代理人は
Yokogawa Europe B.V.
Euroweg 2, 3825 HD Amersfoort, The Netherlands
です。
この製品の横河電機販売経路を介した EU/EEA 市場への輸入業者は以下の通りです。
Yokogawa Europe B.V.
Euroweg 2, 3825 HD Amersfoort, The Netherlands
英語以外の言語の説明書が必要な場合、Authorized Representative へ問い合わせください。

(i) Morocco conformity mark 

- This conformity mark indicates that the product complies with Moroccan safety and EMC requirements.

(j) 製品の汚染防止管理について**j-1 : EU RoHS**

本計器の認証コードが -K** もしくは -VU1 の場合に、EU RoHS 指令 (EN IEC 63000) に適合しています。

j-2 : China Control of Pollution caused by electronic information product

中華人民共和国での「電子情報製品の汚染防止管理法」に基づく当社の管理状況については、IM 01C00A20-01ZH をご参照ください。

横河ライブラリ「<https://www.yokogawa.com/library/>」で IM 番号を検索してください。

(k) Information on EU WEEE Directive

- EU WEEE (Waste Electrical and Electronic Equipment) is only valid in the EU.
- This product is intended to be sold and used only as a part of equipment which is excluded from WEEE, such as large-scale stationary industrial tools, a large-scale fixed installation and so on, and, therefore, subjected to the exclusion from the scope of the WEEE. The product should be disposed of in accordance with local and national legislation/regulations.

1.2 本計器の免責

- 当社は、保証条項に定める場合を除き、本計器に関していかなる保証も行いません。
- 本計器のご使用または使用不能から生じる間接損害については、当社は一切責任を負いかねますのでご了承ください。

1.3 商標

- 'OpreX', 'FieldMate' は横河電機の登録商標です。
- 本文中で使用されている会社名、商品名は各社の登録商標または商標です。
- 本文中の各社の登録商標または商標には「™」,「®」マークは表示していません。

2. 取扱上の注意事項

2.1 形名と仕様の確認

主銘板には、形名と仕様が記載されています。副銘板には注文時指定事項が記載されています。オーダー内容と銘板の内容が一致していることを確認してください。また、副銘板はお客様で取り換えることが可能です。

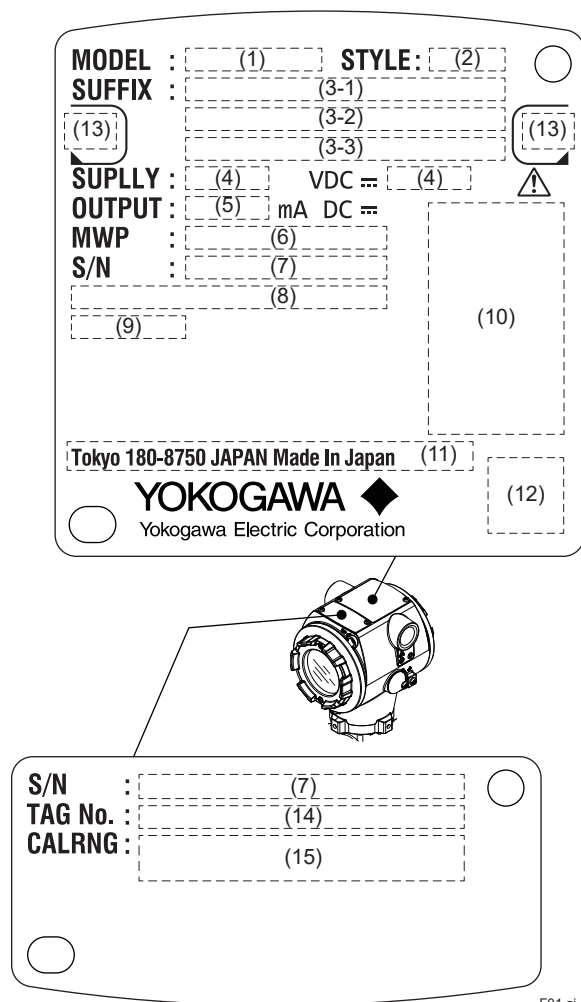


図 2.1 主銘板 (上) ・ 副銘板 (下)

2.1.1 主銘板・副銘板の表示事項

(1)	形名
(2)	スタイルコード
(3)	基本コード・付加仕様コード
(4)	電源電圧：仕様により単位が変わります。
(5)	出力信号
(6)	最高使用圧力 (MWP：MAX working pressure)
(7)	計器番号 9桁：AAnnnnnnn AA：最初の2桁は生産拠点コードを表します。 日本：“91”または“90” ブラジル：“B1” ドイツ：“D1” 中国：“S7” アメリカ：“U1” インド：“Y1” サウジアラビア：“Y3” アラブ首長国連邦：“Y4”
(8)	特注番号
(9)	製造年月：YYYY.MM
(10)	選択した仕様により記載が変わります。
(11)	生産場所の住所が記載されます。
(12)	QRコード：カスタマーポータルサイトで対象製品の仕様が確認できます。
(13)	左右の電源接続口のねじ形状
(14)	Tag No.
(15)	客先レンジ

2.2 設置場所

本計器は厳しい環境条件でも動作するように設計されておりますが、長期にわたり、安定的に精度よくご使用いただくために、設置場所の選定には、以下の点にご注意ください。

- 周囲温度**
 温度勾配や温度変動の大きい場所に設置することはさけてください。計器が直射日光、プラント側からの放射熱などを受けるときは、断熱措置を施したり、風通しがよくなるように設置してください。
- 雰囲気条件**
 腐食性雰囲気に設置することは避けてください。腐食性雰囲気にて使用するとき、風通しがよくなるよう考慮するとともに、電線管内に雨水が入ったり、滞留したりしないように配慮してください。
- 衝撃・振動**
 衝撃や振動に強い構造に設計されていますが、衝撃や振動の少ない場所に設置してください。
- ノイズ**
 大容量の変換器、モータ、あるいは動力用電源などのノイズ源を避けて設置してください。
- 防爆形計器の設置**
 防爆形計器は、爆発性雰囲気に応じた危険場所に設置できます。防爆形計器の取り扱いについては、各防爆仕様製品の取扱説明書の内容に従うとともに、各防爆規格および使用場所の法規制に従い、正しく設置してください。

2.3 加圧部分について



警告

- プロセスに設置した計器は加圧状態にありますので、絶対に受圧部の締付ボルトを締めたり緩めたりしないでください。プロセス流体の噴出を招く危険性があります。
- プロセス流体が人体に有害な物質の場合は、伝送器受圧部内のドレンまたはガスを抜く際、皮膚や目への流体の付着、流出ガスの吸入などが無いよう十分ご注意ください。

本計器に加圧する場合、安全にご使用いただくため下記の点に注意してください。

- プロセスコネクタ締付ボルトまたはプロセス接続部が十分締め付けられていることを確認してください。
- 導圧配管にリークがないことを確認してください。
- 規定以上の圧力を印加しないでください。

2.4 EMC 適合規格

EN 61326-1 Class A, Table 2

EN 61326-2-3



注意

EMC 規制に対応するため、EJX S シリーズの計器を工場内に設置する場合は、信号配線を金属管に通すか、シールド付きツイストペアケーブルを使用することを推奨します。本装置は Class A 製品であり、工業環境での使用を前提に設計されています。工業環境でのみご使用ください。

2.5 欧州圧力容器指令 (PED)

(1) General

- EJX S シリーズの圧力伝送器は、指令 2014/68/EU の圧力アクセサリセクションの容器に分類され、これは PED の第 4 条第 3 項に相当し、Sound Engineering Practice (SEP) と表現されます。
- EJX110S、EJX430S、EJX510S、EJX530S は 200 bar 以上で使用可能なため、カテゴリ III、モジュール H が適用される圧力保持容器の一部とみなされます。オプションコード /PE3 付きはこのカテゴリに適合します。

(2) Technical Data

- /PE3 なし
Article 4, Paragraph 3 of PED, denoted as Sound Engineering Practice (SEP).
- /PE3 付き
Module: H
Type of Equipment: Pressure Accessory-Vessel
Type of fluid: Liquid and Gas
Group of fluid: 1 and 2

(3) Operation



注意

- 流体の温度と圧力は、通常の動作条件と同じレベルに維持する必要があります。
- 周囲温度は、通常の動作条件と同じレベルに維持する必要があります。
- ウォーターハンマーなどにより、配管やバルブに過度の圧力がかからないように注意してください。現象が発生する可能性がある場合は、安全弁を設置するなど、圧力が PS (*1) を超えないよう適切な対策を講じてください。
- 伝送器を外部熱源の近くで使用する場合は、伝送器を保護するために、装置またはシステムレベルで適切な対策を行ってください。

形名	カプセルコード	PS(*1) (bar)	V (L)	PS-V (bar-L)	TS(*2) (°C)	カテゴリ (*3)
EJX110S	E	0.5	0.01	0.005	-40 ~ 120	Article 4, Paragraph 3 (SEP)
	F, L, J, K, P, Q	160	0.01	1.6		
	M, H, V	250	0.01	2.5		
EJX110S /PE3 付き	M, H, V	250	0.01	2.5	-29 ~ 120	III
EJX110S	1, 2, 3, 5, 6	500	0.01	5	-40 ~ 120	Article 4, Paragraph 3 (SEP)
EJX110S /PE3 付き		500	0.01	5		III
EJX310S	L	160	0.01	1.6	-40 ~ 100	Article 4, Paragraph 3 (SEP)
	M, A, B					
EJX430S	H, A, B	160	0.01	1.6	-40 ~ 120	Article 4, Paragraph 3 (SEP)
	C, D	500	0.01	5	-40 ~ 120	Article 4, Paragraph 3 (SEP)
EJX430S /PE3 付き	C, D	500	0.01	5		III
EJX510S	A, B, C	100	0.1	10	-40 ~ 120	Article 4, Paragraph 3 (SEP)
	D	700	0.1	70		
EJX510S /PE3 付き	D	700	0.1	70	III	
EJX530S	A, B, C	100	0.1	10	-40 ~ 120	Article 4, Paragraph 3 (SEP)
	D	700	0.1	70		
EJX530S /PE3 付き	D	700	0.1	70	III	

*1: PS は圧力機器指令 2014/68/EU に基づく容器自体の最大圧力です。本計器の最高使用圧力は一般仕様書を参照ください。

*2: TS は圧力機器指令 2014/68/EU に基づく容器自体のプロセス温度限界です。本計器の温度限界は一般仕様書を参照ください。

*3: 圧力機器指令 2014/68/EU の ANNEX II の表 1 を参照ください。

2.6 安全要求基準



注意

本計器は、工業用液体や、ガスの圧力またはレベルを測定するための計器です。出力は制御システムに送信されます。意図した目的以外には使用しないでください。

適用規格:

EN 61010-1:2010 +A1:2019

C22.2 No.61010-1-12 + Amd1-18

FM 3810:2021

(1) 汚染度 2

「汚染度」とは絶縁耐力や表面抵抗率を劣化させる固体、液体、気体がどの程度付着しているかを表します。「汚染度 2」は通常のオフィス環境に適用されます。非導電性の汚染のみが発生します。

(2) 設置カテゴリ I

「設置カテゴリ (または過電圧カテゴリ)」これはその機器が耐えることができる、過渡的な過電圧状態を定義するものです。「I」は過渡過電圧を適切に制御する手段を備えた回路から電源供給される電子機器に適用されます。

(3) 屋内外での使用

屋内外で使用することが可能です。

(4) 設置場所の高度

最大 海拔 5,000 m

(5) 電源電圧

- HART 通信タイプ (LCD ディスプレイ付またはディスプレイなし)
10.5 to 42 VDC 標準仕様 / 耐圧防爆仕様
10.5 to 30 VDC 本質安全防爆
通信可能な最小電圧 16.25 VDC
- HART 通信タイプ (グラフィックディスプレイ付)
12 to 42 VDC 標準仕様 / 耐圧防爆仕様
通信可能な最小電圧 17.75 VDC
- PROFINET 通信タイプ
9 to 15 VDC

(6) 設置環境 (オプションまたは認証コードで制限値に影響する場合があります。)

- 周囲温度
-40 to 85°C (一般形)
-30 to 80°C (ディスプレイ付)
- 接液温度
-40 to 120°C
- 周囲湿度
0 to 100% RH
- 保護等級
IP66/IP67/IP68 (最大浸水 20 m 最長 168 時間)、
Type 4X

注記

水中での使用を保証するものではありません。

3. 配線

3.1 配線時の注意事項

重要

- 配線は、適切な仕様の電線を選定してください。
- 大容量の変圧器、モータあるいは動力用電源などのノイズ源を避けて配線してください。
- ノイズ防止のため、信号ケーブルと動力用ケーブルは同一のダクトを使用しないでください。

3.2 電源配線

重要

必ず仕様内の DC 電源を使用してください。商用の AC 電源を接続すると計器が破損します。

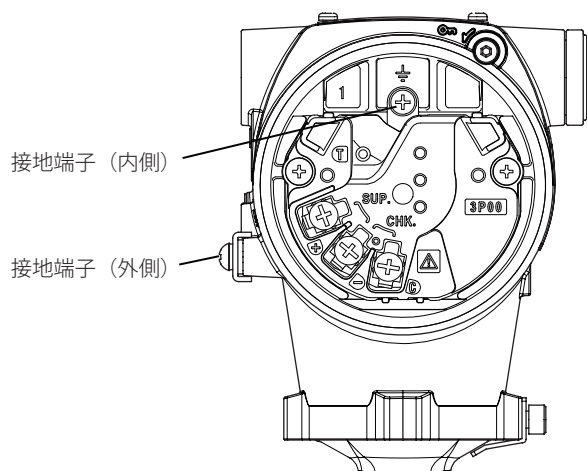
出力信号	配線
4 to 20 mA DC デジタル通信 (HART 7 プロトコル)	
PROFINET over Ethernet-APL	

F02.ai

3.3 接地

D種接地工事(接地抵抗 100 Ω以下)を行ってください。ただし、サージ保護デバイス付の場合は、C種接地工事(接地抵抗 10 Ω以下)を行ってください。

接地端子は端子部の内側と外側それぞれにあります。どちらの端子を使用してもかまいません



F03.ai

改訂情報

資料名称：OpreX Pressure Transmitter
EJX Sシリーズ はじめにお読みください
資料番号：IM 01C33A01-01Z1

2026年2月／初版
新規発行

YOKOGAWA 

横河電機株式会社 / 横河ソリューションサービス株式会社

<https://www.yokogawa.co.jp/>

Nov. '21

Printed in Japan