
**User's
Manual**

DOX8HS Submersion Type Holder

IM 19H1D2-01E

vigilantplant.[®]

◆ INTRODUCTION

The DOX8HS submersion type holder is used to hold a sensor. This holder will keep the sensor immersed in the solution at all times for continuous measurement regardless of major changes in the level of the solution to be measured. The use of a submersion type holder with a jet washing device enables automatic cleaning of the front end of the sensor at desired intervals by a water jet or air jet without the need to remove the sensor.

To fully exploit the capabilities of this product, read through the user's manual before use. Throughout this instruction manual important items with respect to handling are indicated by a Warning or Caution designation, depending upon the relative degree of importance. For safety reasons and to prevent the possibility of damaging the product, users should strictly observe these items.

1. Verifying specifications

The DOX8HS submersion type holder is made either of polypropylene or stainless steel.

The holder comes in different lengths and with or without a jet washing device.

Upon taking receipt of the product, unpack it carefully, checking that no damage has occurred during transport. Check the parts list at the end of this manual to ensure that the received product is exactly what was ordered and that no parts are missing.

Note: The DOX8HS submersion type holder is comprised of a style A (for the DO sigma series) and a style B (for EXA DO series and the EXAss series).

Note that some of the parts for the two styles are not compatible. Whole assemblies can be used for both styles.

EXA DO, EXAss series: style B (sensor installation: 45° tilt)

DO sigma series: style A sensor installation: vertical)

2. Cautions

This instruction manual describes installation procedures, inspection, maintenance and other handling procedures of the DOX8HS submersion type holder (style B).

For detailed information on sensor handling, refer to the user's manual of each sensor. User's manuals for related equipment are listed below.

Other related items are described in the following manuals.

Model	Title	IM No.
DO402G	Dissolved oxygen converter	IM 12J05D02-01E
DO30G	Dissolved oxygen sensor	IM 12J5B3-01E
DO70G	Optical dissolved oxygen sensor	IM 12J05D04-01E
SS400G	MLSS converter	IM 12E6B1-02E
SS300G	MLSS sensor	IM 12E6C1-01E
SS350G	Wiper-Washing controller	IM 12E6E1-01E

◆ For the safe use of this equipment

■ Safety, Protection, and Modification of the Product

- In order to protect the system controlled by the product and the product itself and ensure safe operation, observe the safety precautions described in this user's manual. We assume no liability for safety if users fail to observe these instructions when operating the product.
- If this instrument is used in a manner not specified in this user's manual, the protection provided by this instrument may be impaired.
- Be sure to use the spare parts approved by Yokogawa Electric Corporation (hereafter simply referred to as YOKOGAWA) when replacing parts or consumables.
- Modification of the product is strictly prohibited.
- The following symbols are used in the product and user's manual to indicate that there are precautions for safety:

■ Notes on Handling User's Manuals

- Please hand over the user's manuals to your end users so that they can keep the user's manuals on hand for convenient reference.
- Please read the information thoroughly before using the product.
- The purpose of these user's manuals is not to warrant that the product is well suited to any particular purpose but rather to describe the functional details of the product.
- No part of the user's manuals may be transferred or reproduced without prior written consent from YOKOGAWA.
- YOKOGAWA reserves the right to make improvements in the user's manuals and product at any time, without notice or obligation.
- If you have any questions, or you find mistakes or omissions in the user's manuals, please contact our sales representative or your local distributor.

■ Warning and Disclaimer

The product is provided on an "as is" basis. YOKOGAWA shall have neither liability nor responsibility to any person or entity with respect to any direct or indirect loss or damage arising from using the product or any defect of the product that YOKOGAWA can not predict in advance.

■ Symbol Marks

Throughout this user's manual, you will find several different types of symbols are used to identify different sections of text. This section describes these icons.



WARNING

Indicates a potentially hazardous situation which, if not avoided, could result in death or serious injury.



CAUTION

Indicates a potentially hazardous situation which, if not avoided, may result in minor or moderate injury. It may also be used to alert against unsafe practices.



IMPORTANT

Indicates that operating the hardware or software in this manner may damage it or lead to system failure.



NOTE

Draws attention to information essential for understanding the operation and features.



Tip

This symbol gives information that complements the current topic.



SEE ALSO

This symbol identifies a source to be referred to.

◆ After-sales Warranty

- **Do not modify the product.**

- **During the warranty period, for repair under warranty consult the local sales representative or service office. Yokogawa will replace or repair any damaged parts. Before consulting for repair under warranty, provide us with the model name and serial number and a description of the problem. Any diagrams or data explaining the problem would also be appreciated.**
 - If we replace the product with a new one, we won't provide you with a repair report.
 - Yokogawa warrants the product for the period stated in the pre-purchase quotation. Yokogawa shall conduct defined warranty service based on its standard. When the customer site is located outside of the service area, a fee for dispatching the maintenance engineer will be charged to the customer.

- **In the following cases, customer will be charged repair fee regardless of warranty period.**
 - Failure of components which are out of scope of warranty stated in instruction manual.
 - Failure caused by usage of software, hardware or auxiliary equipment, which Yokogawa Electric did not supply.
 - Failure due to improper or insufficient maintenance by user.
 - Failure due to modification, misuse or outside-of-specifications operation which Yokogawa does not authorize.
 - Failure due to power supply (voltage, frequency) being outside specifications or abnormal.
 - Failure caused by any usage out of scope of recommended usage.
 - Any damage from fire, earthquake, storms and floods, lightning, disturbances, riots, warfare, radiation and other natural changes.

- **Yokogawa does not warrant conformance with the specific application at the user site. Yokogawa will not bear direct/indirect responsibility for damage due to a specific application.**

- **Yokogawa Electric will not bear responsibility when the user configures the product into systems or resells the product.**

- **Maintenance service and supplying repair parts will be covered for five years after the production ends. For repair for this product, please contact the nearest sales office described in this instruction manual.**

DOX8HS Submersion Type Holder

IM 19H1D2-01E 4th Edition

CONTENTS

- ◆ INTRODUCTIONi
- ◆ For the safe use of this equipmentii
- ◆ After-sales Warranty.....iv
- 1. Overview..... 1-1
 - 1.1 Features of the DOX8HS Submersion Type Holder 1-1
 - 1.2 Specifications..... 1-2
 - 1.2.1 Standard Specifications 1-2
 - 1.2.2 Model and Suffix codes..... 1-2
 - 1.2.3 External Dimensions..... 1-3
- 2. Names and Functions 2-1
- 3. Installation, Piping and Wiring 3-1
 - 3.1 Preparations for Installation 3-1
 - 3.1.1 Inserting the Sensor 3-1
 - 3.1.2 Inserting the Mounting Bracket 3-2
 - 3.2 Installation 3-3
 - 3.2.1 Selecting Measurement Point..... 3-3
 - 3.2.2 Selecting a Place of Installation for the DOX8HS Submersion Type Holder
..... 3-3
 - 3.2.3 Securing DOX8HS Submersion Type Holder..... 3-3
 - 3.2.4 Installing DOX8HS Submersion Type Holder..... 3-3
 - 3.3 Piping and Wiring (for cleaning)..... 3-4
 - 3.3.1 Items to Note with Regard to Piping Work 3-4
 - 3.3.2 Piping Examples 3-5
 - 3.3.3 Wiring 3-6
- 4. Maintenance..... 4-1
 - 4.1 Inspecting Sensor Retaining O-ring 4-1
 - 4.2 Inspecting the Cleaning Device..... 4-2
 - 4.2.1 Inspecting Jet Washing Device..... 4-2
 - 4.2.2 Inspecting Solenoid Valve..... 4-2
- Customer Maintenance Parts List.....CMPL 19H01D02-01E
- Revision Informationi

1. Overview

1.1 Features of the DOX8HS Submersion Type Holder

- Holds the sensor in place without being affected by the conditions of the solution to be measured

The sensor is steadily held at the measurement point no matter how fast the solution flows. The material of the holder can be selected to suit the temperature of the solution to be measured or corrosive substances it contains. Only the front end of the sensor is exposed to the solution to minimize the likelihood of problems.

- Sensor is held at a tilt angle of 45° to allow stable measurements

Measurement results are less likely to be affected by air bubbles enabling noise free measurements in a wide range of processes.

- Sensor front end is automatically cleaned at regular intervals at the place at installation

Water jet or air jet cleaning substantially reduces dirt at the front end of the sensor.

This makes it possible to reduce the frequency of maintenance even in highly contaminated solutions.

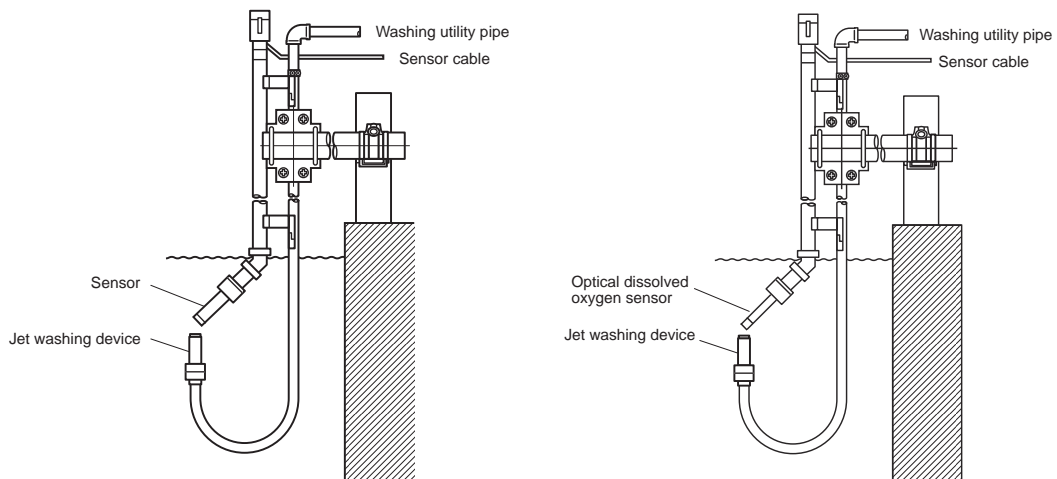


Figure 1.1 Sensor in DOX8HS Submersion Type Holder (with washing device)

1.2 Specifications

1.2.1 Standard Specifications

Applicable sensors: Dissolved Oxygen Sensor DO30G, Optical Dissolved Oxygen Sensor DO70G and MLSS Sensor SS300G

Mounting: 2-inch pipe mounting vertical or horizontal, with 1 or 2 set of mounting hardware.
(Note) Make sure the mounting pipe is firmly installed.

Cleaning method: Water or air jet cleaning (The wiper cleaning of MLSS meter should be specified on the sensor.)

Material: Holder; Polypropylene or stainless steel equivalent to SUS316)
O-ring; Fluoro-rubber (Viton)

Mounting bracket: Stainless steel (equivalent to SUS316) or galvanized iron
Cleaning unit (wetted parts); Polypropylene

Weight: Holder; Approx. 0.5 to 3.6 kg (polypropylene), Approx. 1.5 to 11.5 kg (stainless steel)
Mounting bracket; Approx. 1 kg/set

Measuring temperature: 0 to 80 °C

(Note) The temperature may be limited by the specifications of the sensor.

Measuring flow speed: 2 m/s or less.

(Note) The flow rate may be limited by the specifications of the sensor.

Utility required for cleaning unit:

Utility	Pressure (kPa)	Flow rate
Water jet	100 to 200	5 to 20 l/min
Air jet	100 to 200	10 to 20 NI/min

(Note 1) Pressure and flow rate must be simultaneously satisfied at the holder inlet port.

(Note 2) A large braid-reinforced tube of Ø22 x Ø15 is recommended for supply due to the flow rate.

1.2.2 Model and Suffix codes

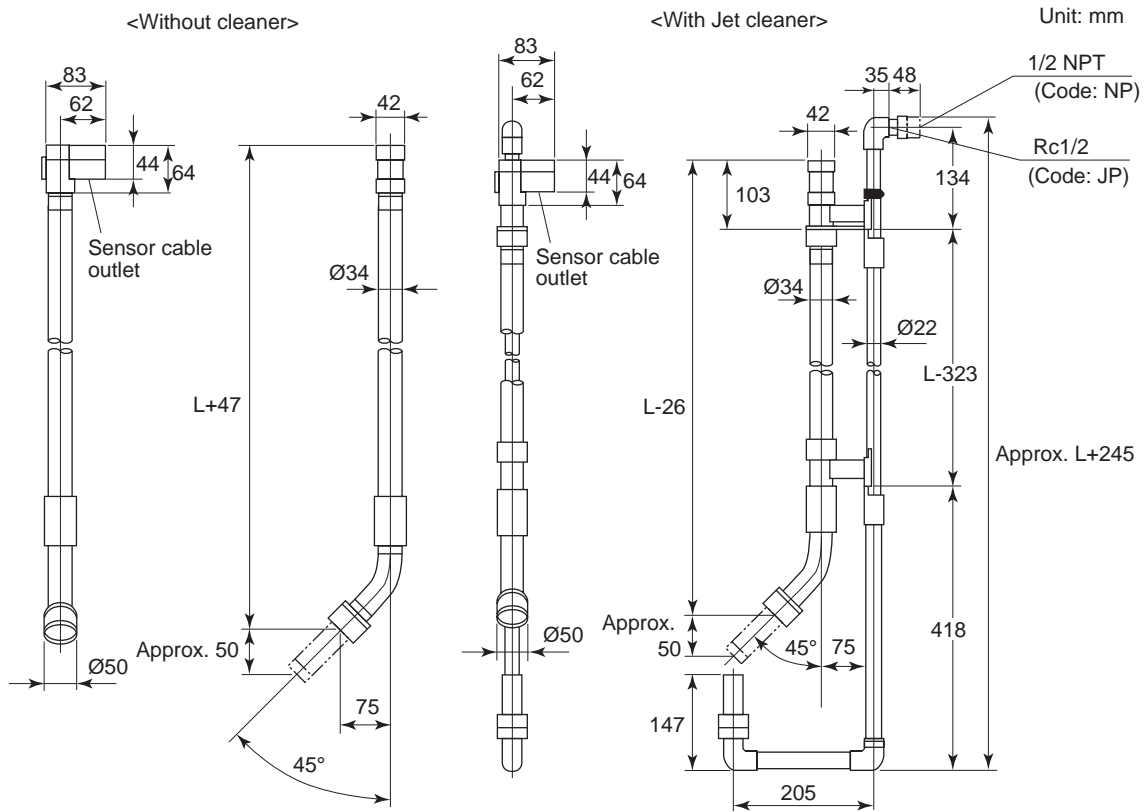
Model	Suffix Code	Option Code	Description
DOX8HS	Submersion type holder
Material	-PP	Polypropylene
	-S3	Stainless steel
Pipe Length	-10	1.0 m
	-15	1.5 m
	-20	2.0 m
	-25	2.5 m
	-30	3.0 m
	-35	3.5 m (stainless steel -S3 only)
-40	4.0 m (stainless steel -S3 only)	
Style	-C	For DO30G and SS300G
	-L	For DO70G
Cleaning System(*1)	-NN	None
	-JT	For jet cleaning (The solenoid valve must be specified separately)
Connector for Cleaning	-NN	None
	-JP	Rc 1/2
	-NP	1/2 NPT
Style Code	*B	Style B
Options Mounting Bracket (*2)	/MS1		Mounting bracket : 1 set
	/MS2		Mounting bracket : 2 sets
	/MS5		Mounting bracket (stainless steel) : 1 set
	/MS6		Mounting bracket (stainless steel) : 2 sets

*1: When using the wiper cleaning of MLSS meter, choose a proper cleaning system under the MS code of the MLSS sensor.

*2: The required number of mounting bracket sets depends on the installation location and flow rate. In general, one set is sufficient for pipe lengths of 1 meter, and otherwise two sets are required.

1.2.3 External Dimensions

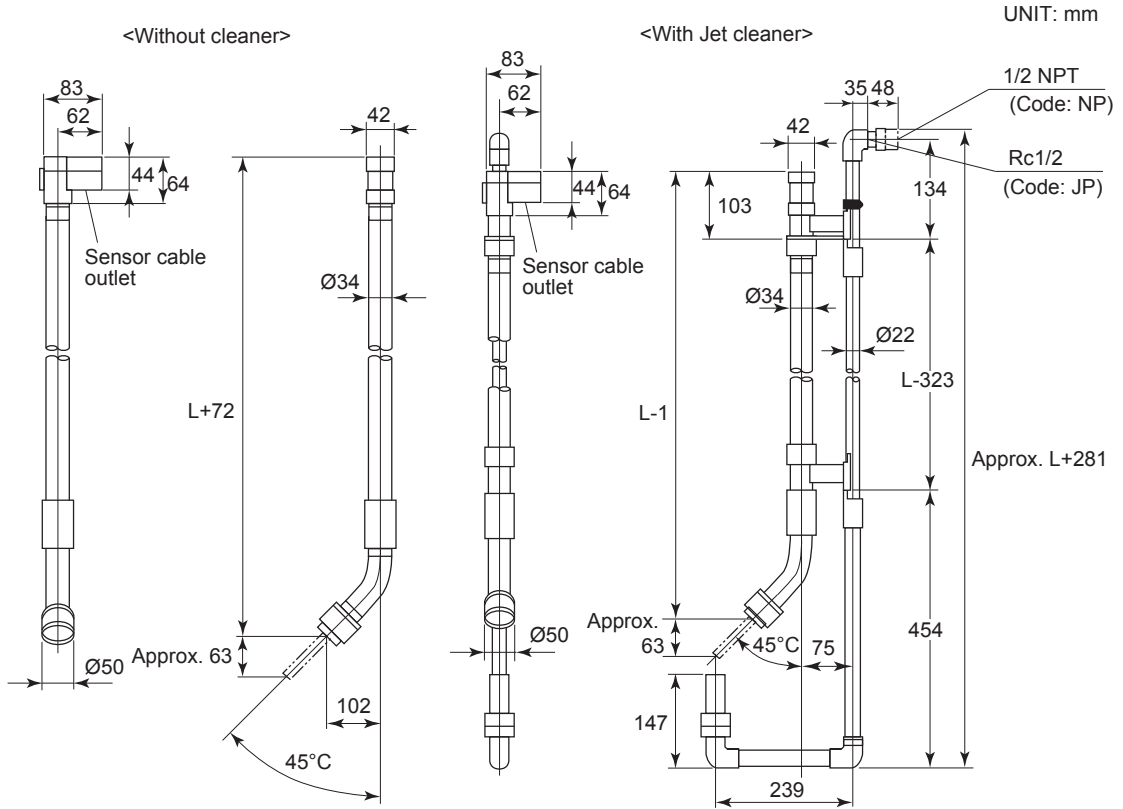
1. DOX8HS-PP-□□-C (Polypropylene)(For DO30G and SS300G)



Specification of Holder (Model and Code)	Weight (Approx.)				
	Nominal Holder Length (L)				
	1000 mm [Code: -10]	1500 mm [Code: -15]	2000 mm [Code: -20]	2500 mm [Code: -25]	3000 mm [Code: -30]
Without Cleaner DOX8HS-PP-□□-C-NN-NN*B/□□	Approx. 0.5 kg	Approx. 0.65 kg	Approx. 0.8 kg	Approx. 0.95 kg	Approx. 1.1 kg
With Jet cleaner DOX8HS-PP-□□-C-JT-□P*B/□□	Approx. 1.6 kg	Approx. 2.1 kg	Approx. 2.6 kg	Approx. 3.1 kg	Approx. 3.6 kg

Figure 1.2 Polypropylene Submersion Type Holder (For DO30G and SS300G)

1. DOX8HS-PP-□□-L (Polypropylene)(For DO70G)

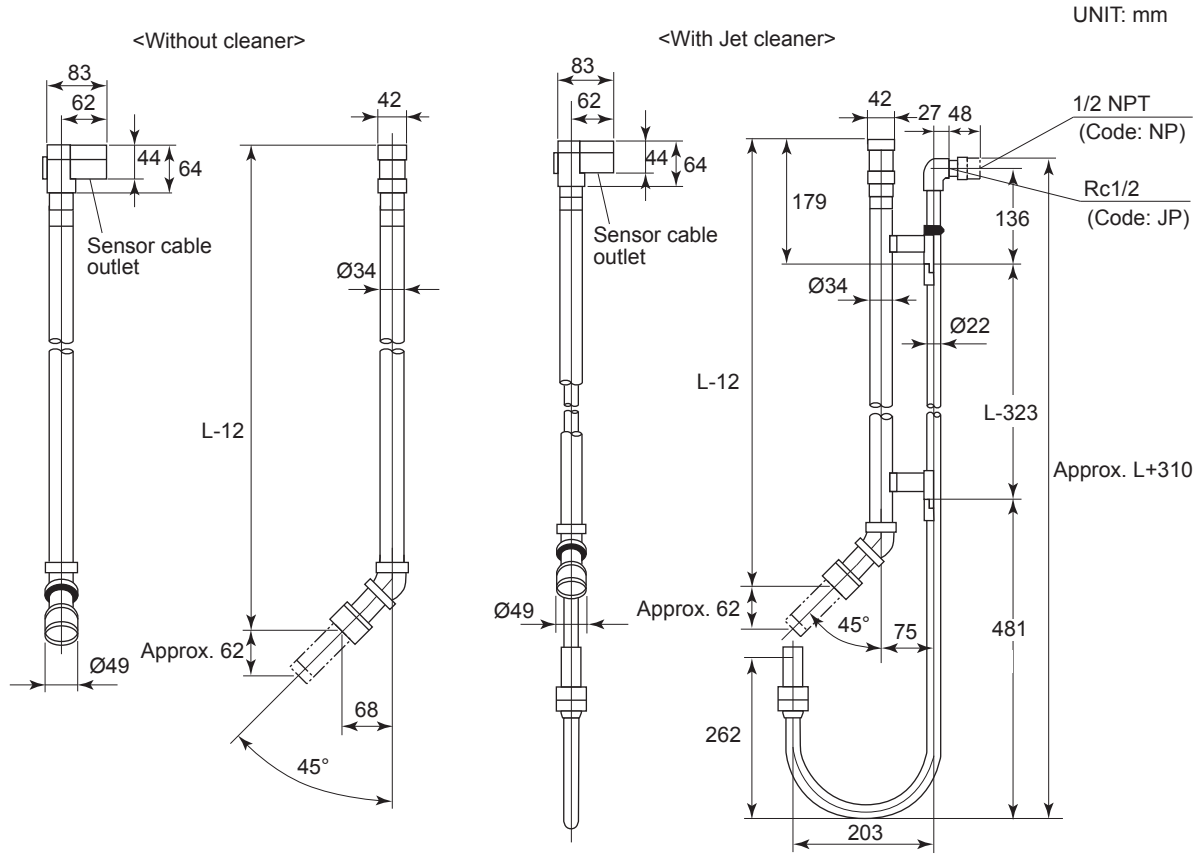


Specification of Holder (Model and Code)	Weight (Approx.)				
	Nominal Holder Length (L)				
	1000 mm [Code: -10]	1500 mm [Code: -15]	2000 mm [Code: -20]	2500 mm [Code: -25]	3000 mm [Code: -30]
Without Cleaner DOX8HS-PP-□□-L-NN-NN*B/□□	Approx. 0.5 kg	Approx. 0.65 kg	Approx. 0.8 kg	Approx. 0.95 kg	Approx. 1.1 kg
With Jet cleaner DOX8HS-PP-□□-L-JT-□□*B/□□	Approx. 1.7 kg	Approx. 2.2 kg	Approx. 2.7 kg	Approx. 3.2 kg	Approx. 3.7 kg

F19-1.EPS

Figure 1.3 Polypropylene Submersion Type Holder (For DO70G)

2. DOX8HS-S3-□□-C (SUS316: Stainless steel)(For DO30G and SS300G)



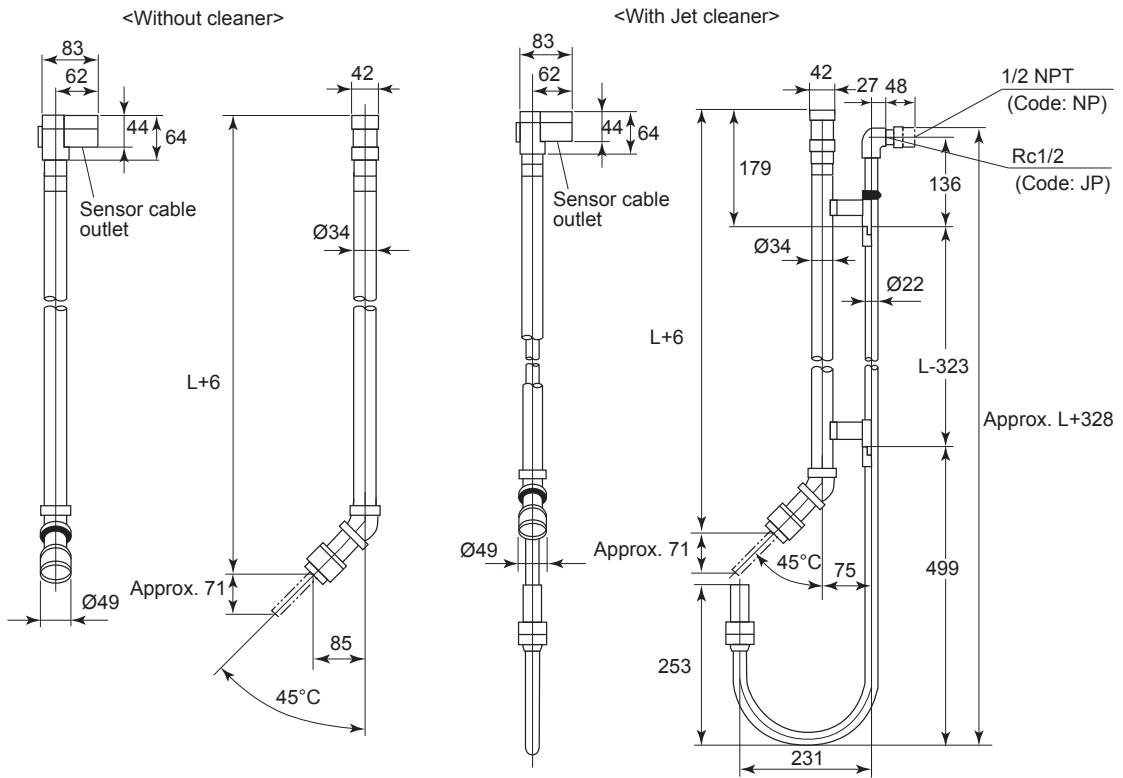
Specification of Holder (Model and Code)	Weight (Approx.)				
	Nominal Holder Length (L)				
	1000 mm [Code: 10]	1500 mm [Code: 15]	2000 mm [Code: 20]	2500 mm [Code: 25]	3000 mm [Code: 30]
Without Cleaner DOX8HS-S3-□□-C-NN-NN*B/□□	1.9 kg	3.1 kg	4.3 kg	5.5 kg	6.7 kg
With Jet cleaner DOX8HS-S3-□□-C-JT-□P*B/□□	4.1 kg	5.6 kg	7.1 kg	8.6 kg	10.1 kg

Specification of Holder (Model and Code)	Weight (Approx.)	
	Nominal Holder Length (L)	
	3500 mm [Code: -35]	4000 mm [Code: -40]
Without Cleaner DOX8HS-S3-□□-C-NN-NN*B/□□	7.9 kg	9.1 kg
With Jet cleaner DOX8HS-S3-□□-C-JT-□P*B/□□	11.6 kg	13.1 kg

Figure 1.4 Stainless Steel Submersion Type Holder (For DO30G and SS300G)

2. DOX8HS-S3-□□-L (SUS316: Stainless steel)(For DO70G)

UNIT: mm



Specification of Holder (Model and Code)	Weight (Approx.)				
	Nominal Holder Length (L)				
	1000 mm [Code:-10]	1500 mm [Code:-15]	2000 mm [Code:-20]	2500 mm [Code:-25]	3000 mm [Code:-30]
Without Cleaner DOX8HS-S3-□□-L-NN-NN*B/□□	2.0 kg	3.2 kg	4.4 kg	5.6 kg	6.8 kg
With Jet cleaner DOX8HS-S3-□□-L-JT-□P*B/□□	4.2 kg	5.7 kg	7.2 kg	8.7 kg	10.2 kg

Specification of Holder (Model and Code)	Weight (Approx.)	
	Nominal Holder Length (L)	
	3500 mm [Code:-35]	4000 mm [Code:-40]
Without Cleaner DOX8HS-S3-□□-L-NN-NN*B/□□	8.0 kg	9.2 kg
With Jet cleaner DOX8HS-S3-□□-L-JT-□P*B/□□	11.7 kg	13.2 kg

F20-1.EPS

Figure 1.5 Stainless Steel Submersion Type Holder (For DO70G)

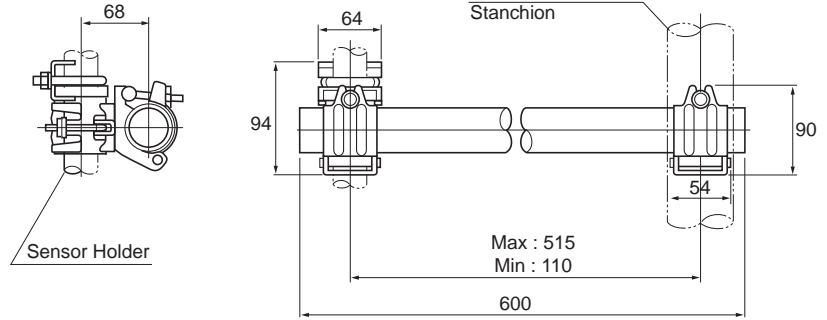
3. Mounting Bracket for Submersion Type Holder

Mounting Hardware (Weight : Approx. 1kg)

- / MS1 - 1 set
- / MS2 - 2 sets

Unit: mm

<For Holder without cleaner>



<For Holder with Cleaner>

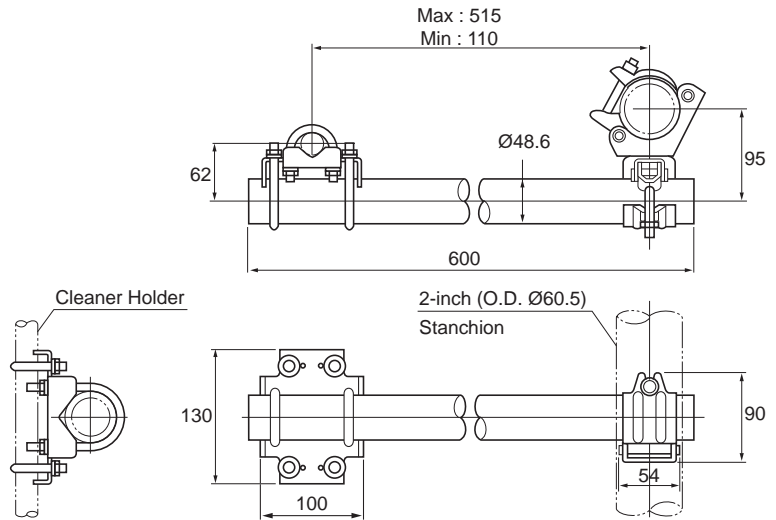


Figure 1.6 Submersion Holder Mounting Bracket

4. Stainless Steel Mounting Bracket for Submersion Type Holder

Unit: mm

Stainless (Weight : Approx. 1 kg)

□ / MS5 - 1 set

□ / MS6 - 2 sets

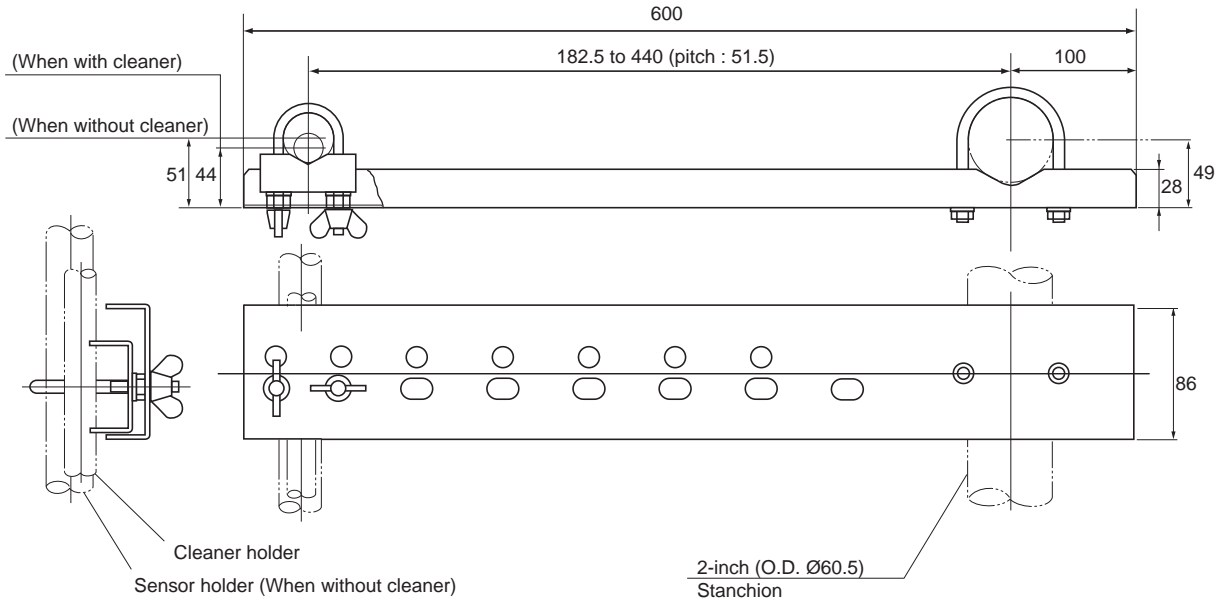
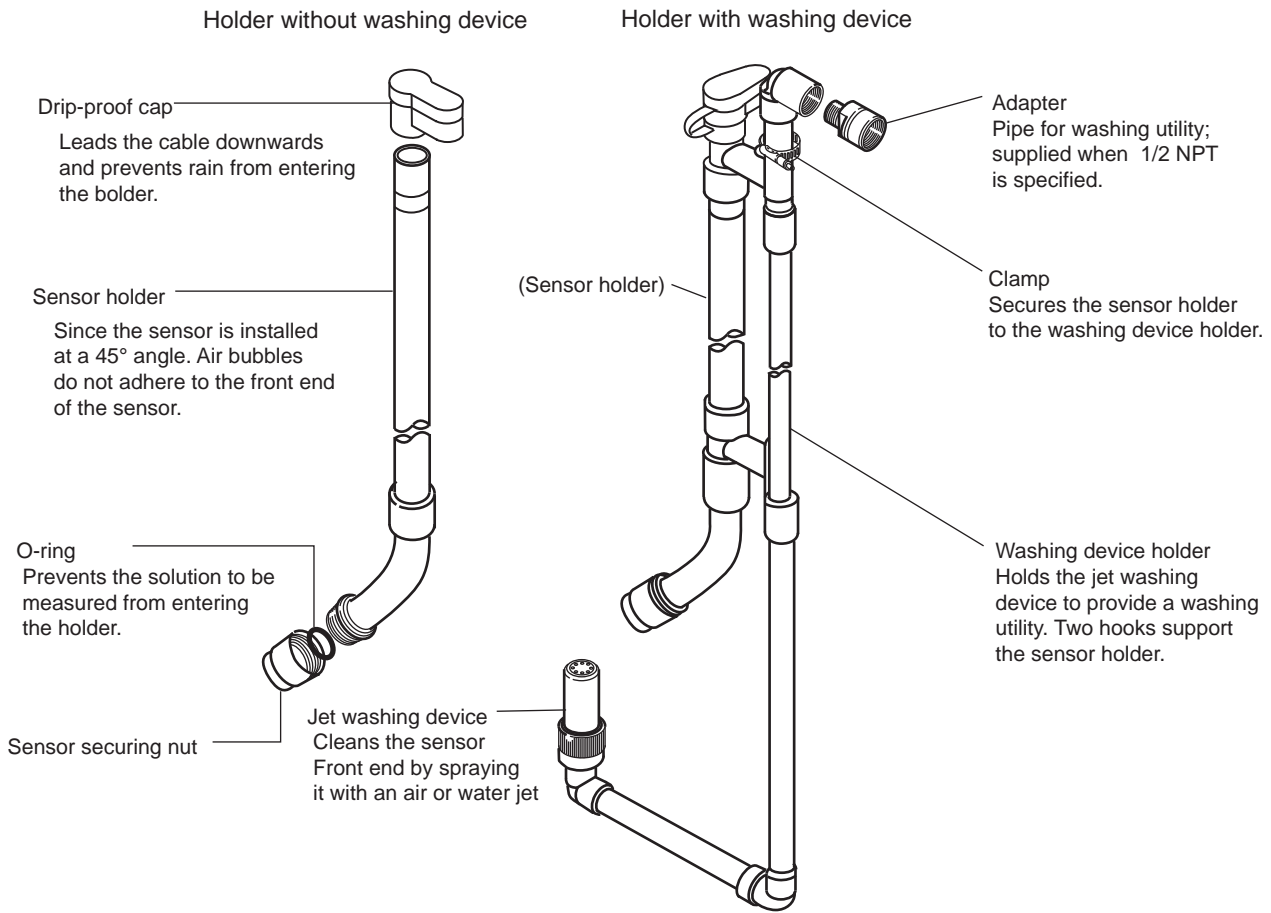


Figure 1.7 Submersion Holder Mounting Bracket (Stainless steel)

2. Names and Functions



Note: The figure shows a polypropylene holder. The stainless steel model differs slightly.

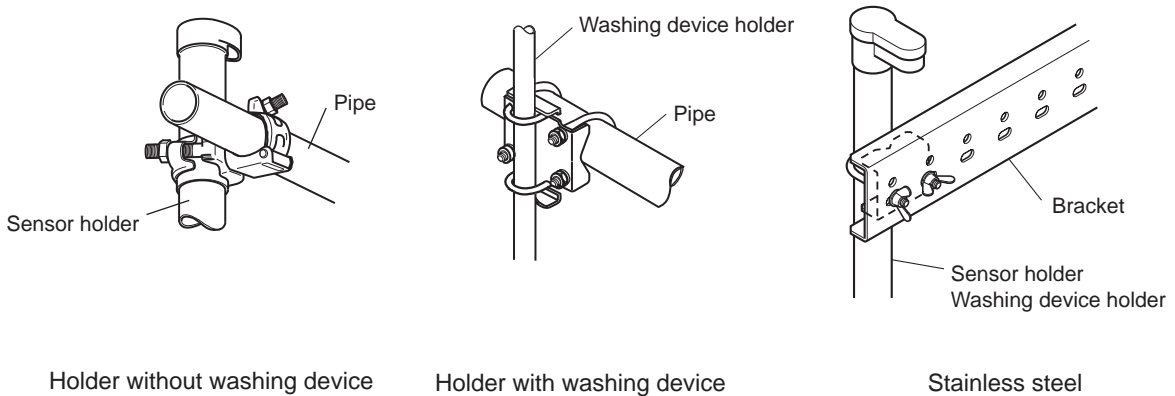


Figure 2.1 Names and Functions

3. Installation, Piping and Wiring

The submersion type holder comes in two configurations: one with a jet washing device and one without. The submersion type holder with washing device is equipped with utility (air or water) piping. To perform cleaning automatically at regular intervals, wires to operate the solenoid valve in the utility piping have to be provided.

3.1 Preparations for Installation

3.1.1 Inserting the Sensor

Insert the sensor when the submersion type holder is installed.



SEE ALSO

Information regarding sensor orientation and other details differ with the sensor used. Refer to the user's manual of the sensor.

Insert the sensor according to the following instructions.



NOTE

Be sure not to damage the front end of sensor.

- (1) Route the sensor cable to the sensor holder assembly.

Remove the securing nut from the holder front end. Remove the sponge (used in transport and not needed after installation). Thread the O-ring over the sensor and place the O-ring on the sensor.

Open the drip-proof cap and pull out the other end of the sensor cable.

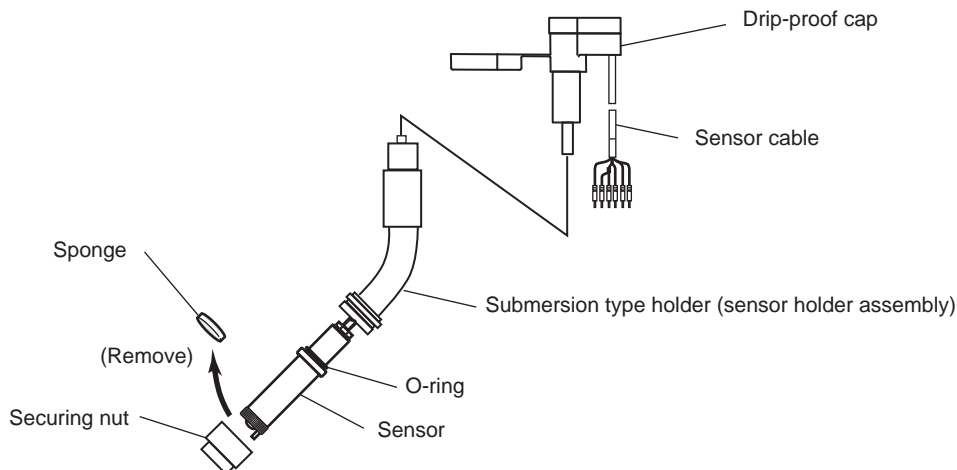


Figure 3.1 Installation of the Sensor to the Submersion Type Holder

- (2) Attach the securing nut and secure the sensor to the sensor holder. Tighten properly so that the O-ring will act as a seal.
- (3) Close the drip-proof case.

- (4) When an optional wiper cleaning unit is specified for the MLSS sensor, install the wiper cleaning unit to the MLSS sensor. For the installation procedure, refer to the user's manual of the MLSS sensor.

3.1.2 Inserting the Mounting Bracket

The submersion type holder is used attached to 2-inch pipe (outer diameter 60.5 mm). Pipe mounting brackets (see figure 1.4) are supplied when specified and should be used in the installation.

As a rule, one set of brackets is provided for a 1.0 m holder and 2 sets for a 1.5 m long or more holder. Figure 3.2 shows a schematic diagram indicating the mounting positions. Make the necessary adjustments if it is not possible to mount the brackets at the locations indicated in Figure 3.2.

Unit : mm

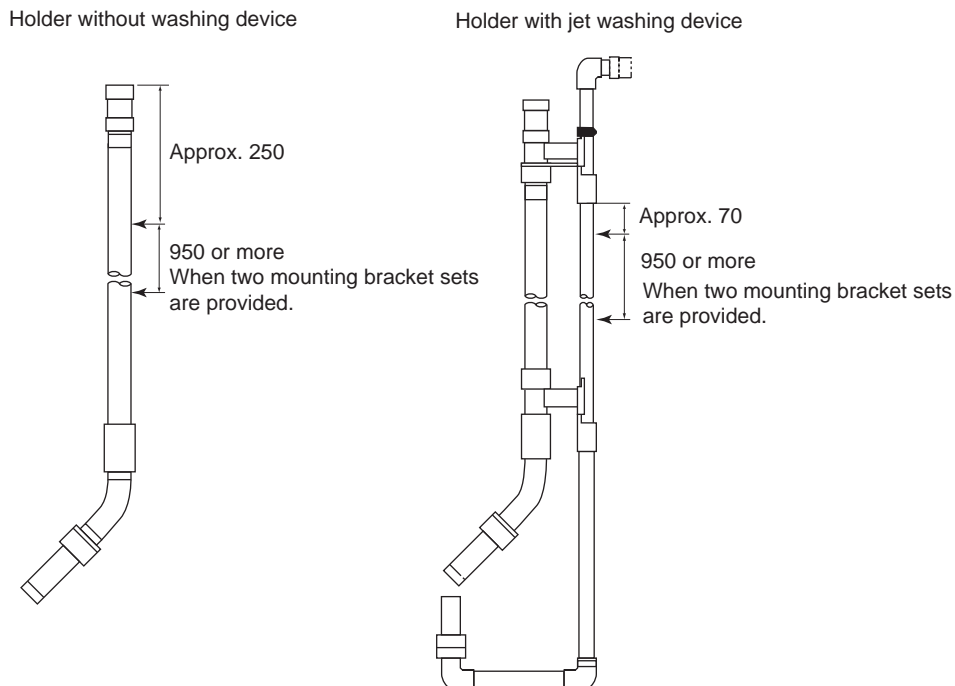


Figure 3.2 Locations of Mounting Brackets (reference)

3.2 Installation

3.2.1 Selecting Measurement Point

Install the DOX8HS submersion type holder so that the DO70G sensor and MLSS sensor, dissolved oxygen sensor, is located at the measurement point.

Under normal conditions, select a measurement point that satisfies the following requirements.

- A location where a typical measured value of the solution to be measured can be obtained

Avoid locations where the solution to be measured is unevenly distributed since it will lead to hunting for a measured value. Also avoid locations where air bubbles are generated.

- A location where the temperature and flow rate of the measured solution matches the usage conditions of the sensor and holder

A fast flowing solution that contains sand may damage the sensor front end (membrane, prism or sensor cap)..

3.2.2 Selecting a Place of Installation for the DOX8HS Submersion Type Holder

Sensors must be calibrated and maintained regularly.

Thus the DOX8HS submersion type holder should be installed in a location that satisfies the following conditions.

- Space enough to allow calibration and maintenance near the measurement point
- A location where washing utility requirements are met. (submersion type holder with washing device.)

CAUTION



Installation Location of Holders (Guide Pipe, Submersion Type, etc)
The holder should be used in a place that is as vibration free as possible.
Using the holder in a place where it is affected by vibration, may result in damage to the holder.

3.2.3 Securing DOX8HS Submersion Type Holder

The DOX8HS submersion type holder is normally secured to 2-inch pipe (outer diameter 60.5 mm) using a mounting bracket. The pipe shall be placed vertically.

The submersion type holder must be removed to allow calibration and maintenance.

Therefore install the holder in a location where removal is easy to perform.

3.2.4 Installing DOX8HS Submersion Type Holder

- (1) Secure the submersion type holder with the installed sensor (see section 3.1) to a stanchion (pipe for mounting the holder).



NOTE

Be sure not to soil or expose the prepared end of the sensor cable during the work

When the submersion type holder has been secured, check that,

- The sensor front end is in a location where it is not likely to collect air bubbles.
 - The sensor front end is immersed in the solution regardless of fluctuations in the solution level.
- (2) Connect the sensor cable to the converter (or terminal box). For details, refer to supplied user's manual.

3.3 Piping and Wiring (for cleaning)

The following information concerns only the submersion type holder with jet washing device.

For wiring when an optional wiper cleaning unit is specified for the MLSS sensor, refer to the user's manual of the SS350G Controller for Wiper Cleaning.

3.3.1 Items to Note with Regard to Piping Work

Piping is provided to the submersion type holder with jet washing device to supply the air or water used for washing.

Exercise care with the regard to the following during the piping work.

- Washing device maintenance should be easy to perform.
Use a soft hose (net-impregnated soft polyvinyl chloride resin tube) for the piping around the submersion type holder. To be on the safe side, make sure that there is enough hose to allow for errors.
- In winter, provide heat insulation if there is a possibility the washing water will freeze.
Washing is performed at designated intervals (any time cycle can be set using the converter).
- Use a pipe with a diameter sufficient to provide the necessary pressure and flow rate.
Use 15 A nominal diameter size for air pipes.
The solenoid valve in the washing pipe line should be 15 A aperture (pipe joint port) that operates normal close (that closes when electrified).

Yokogawa provides solenoid valves with the following specifications.

[Model PH8MV Solenoid Valve]

Pilot kick operated, 2-port valve. Open when energized.

Fluid: Normal tap water, industrial water, or air

Operating pressure: 0 to 1 MPa

Forward (reverse) pressure resistance: 2 MPa

Fluid temperature: Water; 5 to 60°C, Air; -10 to 60°C

Cv: 4.5

Process connection: Rc 1/2

Power supply: 100/110/200/220 V AC, 50/60 Hz

Construction: IP53

Material:

Body; Bronze

Sealing; Nitrile rubber

Ambient temperature: Maximum 50°C

Cable inlet connection: G 1/2

Weight: Approx. 0.9 kg

3.3.2 Piping Examples

(1) Air Jet Washing

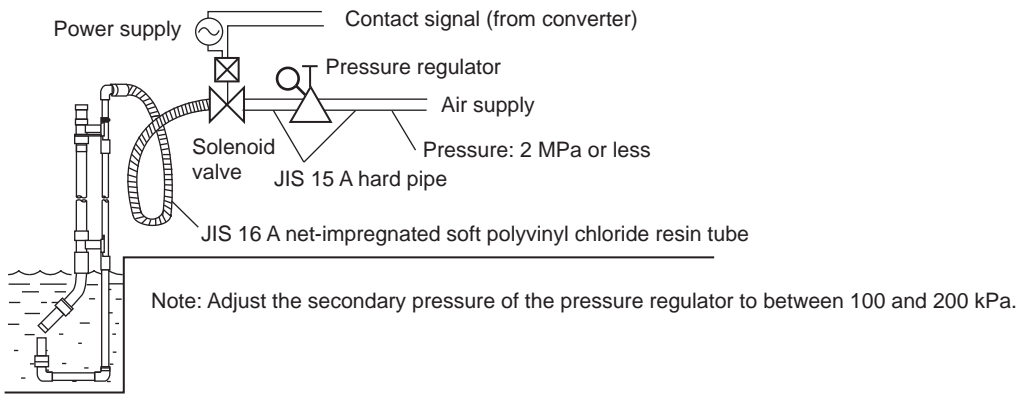


Figure 3.3 Example Showing Air Jet Cleaning

(2) Water (industrial water) Jet Washing

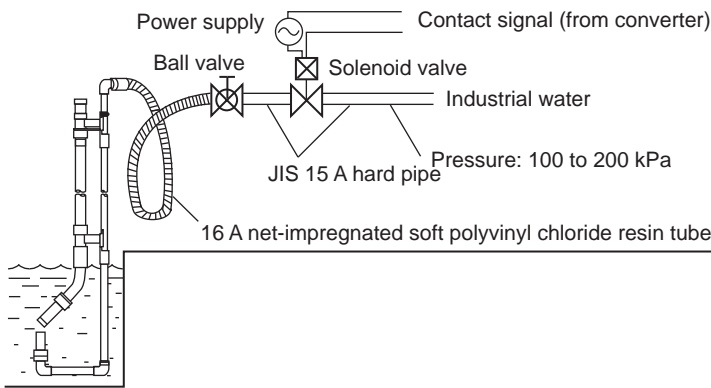


Figure 3.4 Example Showing Water (industrial water) Jet Washing

(3) Water (tap water) Jet Washing

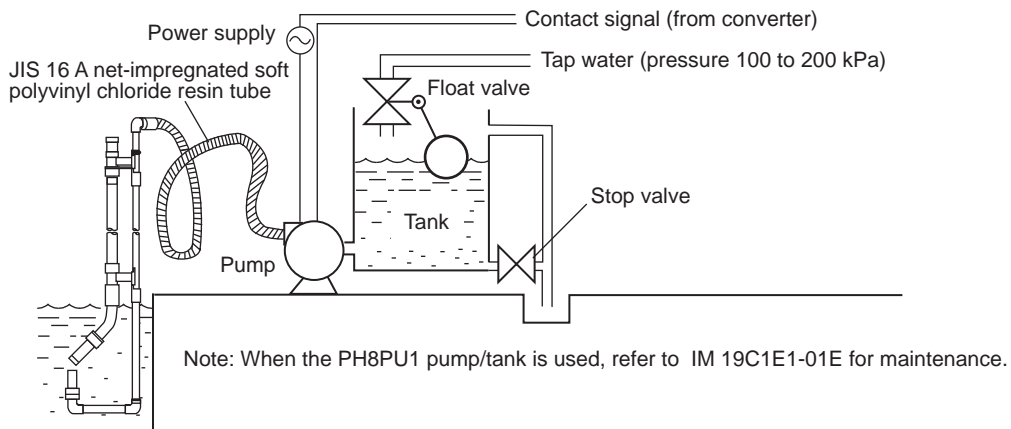


Figure 3.5 Example Showing Water (tap water) Jet Washing

3.3.3 Wiring

Normally, washing is executed when a "cleaning" contact signal is received from the converter.

Note: The contact output must be set to "cleaning" function. For details, refer to the user's manual supplied with each converter.

Install wiring so that when the contact signal is output drive power is supplied to the solenoid valve (or pump), and utility (air or water flows into the washing device).

The cleaning contact of the converter has the following specifications.

Cleaning contact specifications

Contact type: Relay contact (dry contact)

Contact capacity: Refer to user's manual supplied with the converter.

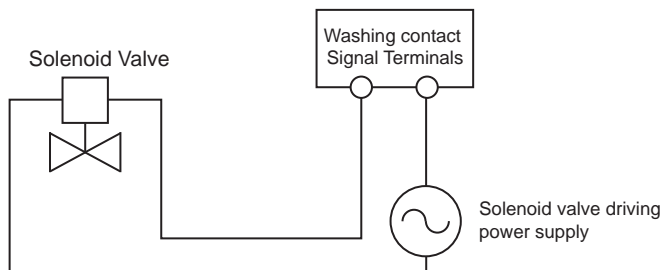


Figure 3.6 Solenoid Driving Circuit Wiring

Output timing of "cleaning" contact signal

- The converter is first turned on, then cleaning is executed after the preset cleaning interval elapses. If the automatic cleaning function is set to "stop", when "execute" is set cleaning is executed after the cleaning interval lapses.

Execution of manual cleaning and "automatic cleaning start" command

- The converter can be manually operated any time through key operation.
- The automatic cleaning start command can be sent any time by inputting the contact signal to the converter.

4. Maintenance

When the DOX8HS submersion type holder operates normally, maintenance and inspections need not be performed.

Perform inspection and maintenance procedures described in this chapter in conjunction with calibration and sensor maintenance.

4.1 Inspecting Sensor Retaining O-ring

The sensor is designed such that it can be immersed in the solution up to the sensor cable and the entry of solution in the holder does not lead to a breakdown. However, damage to the sensor cable sheathing could lead to poor insulation and for that reason the solution should as much as possible not be allowed inside the holder.

The sensor retaining O-ring prevents the entry of solution into the holder to reduce the risk of insulation problems. If solution enters the holder, make the following inspections.

1. Has dirt adhered to the O-ring reducing its sealing function?
2. Is the O-ring damaged from wear (deformed or cracked)?

Replace the O-ring when the above inspection shows that cause of solution entering the holder was caused by O-ring damage. O-ring replacement normally requires sensor cable disconnection. Be sure not to soil the prepared end of the sensor cable.

To replace the O-ring without disconnecting the sensor cable, the O-ring has to be from the sensor front end and across the sensor body. Remove all dirt accumulated on the sensor. Before inserting the O-ring to prevent that it is damaged (rust) through exposure to dirt. See Figure 4.1.

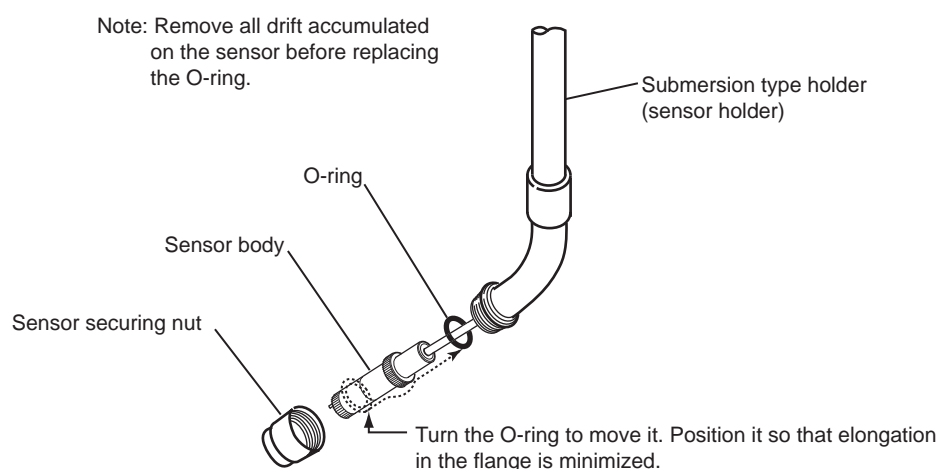


Figure 4.1. Replacing Sensor Retaining Ring (inserting it from the sensor front end)

4.2 Inspecting the Cleaning Device

The following information concerns only the submersion type holder with jet washing device.



SEE ALSO

For maintenance of the MLSS sensor with wiper-washing, refer to the MLSS sensor's manual.

Make the following inspections of the device.

1. Check the nozzle of the jet washing device for clogging.
2. With the solenoid valve closed, check whether or not the washing utility is discharged.

If no error can be found in the device when it is installed, remove the submersion type holder and inspect again.

4.2.1 Inspecting Jet Washing Device

When the nozzle is clogged, the cleaning effect of the jet washing device will decrease.

Use a 0.8 mm thick metal needle or the like to unclog the nozzle.

Remove the jet washing device from the holder to inspect the interior of the washing device. If excessively dirty with slurry or algae, clean thoroughly.

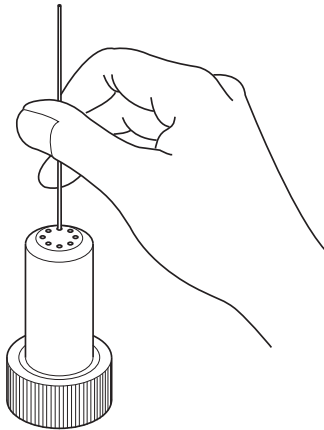


Figure 4.2. Unclogging the Nozzle

4.2.2 Inspecting Solenoid Valve

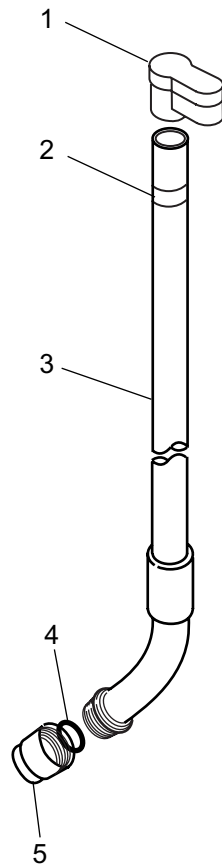
Check that the cleaning utility is not discharged from the jet washing device while the solenoid valve is closed.

Replace the solenoid valve if the leak is more than a small amount that does not affect measurement.

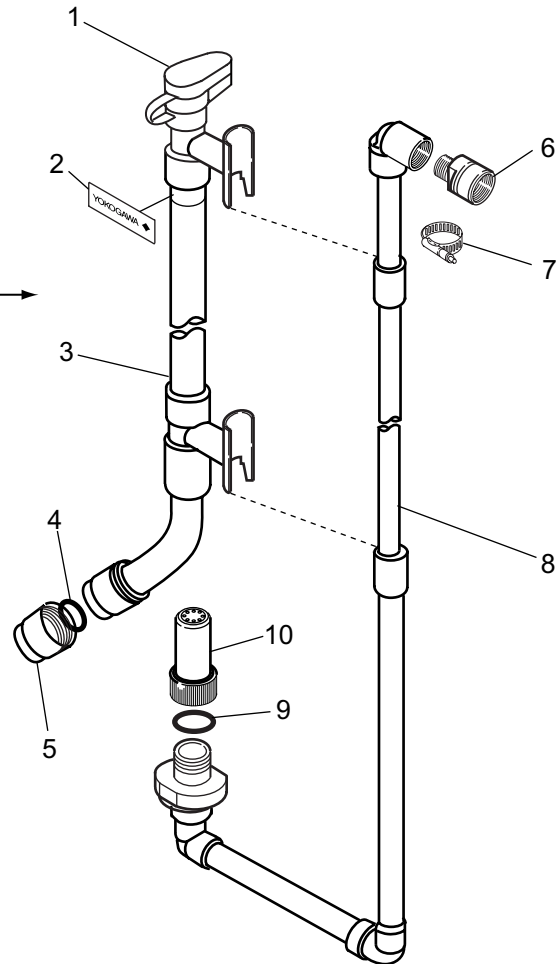
Customer Maintenance Parts List

Model DOX8HS Submersion Type Holder

Without Cleaner Type (-NN)



With Cleaner Type (-JT)



Item	Part No.	Qty	Description
1	K9144NB	1	Cap
2	K9145NA	1	Nameplate
3	—	1	Sensor Holder (see Table 1)
4	K9142QV	1	O-Ring
5	—	1	Nut
	K9171NX		(for DOX8HS-PP)
	K9171LX		(for DOX8HS-S3)
6	—	1	Adapter (-NP: 1/2 NPT Female)
	K9115RS		(for DOX8HS-PP)
	L9832AT		(for DOX8HS-S3)
7	L9813WA	1	Clamp
8	—	1	Cleaner Holder (see Table 2)
9	K9142QU	1	O-Ring
10	K9143JN	1	Nozzle (for jet cleaner)

Table 1. Item 3 Sensor Holder Part Number

	Holder Length (L)	Part Number		Part Number	
		For DOX8HS-PP-□□-C	For DOX8HS-S3-□□-C	For DOX8HS-PP-□□-L	For DOX8HS-S3-□□-L
Without Cleaner Type (-NN)	1.0 m	K9171NG	K9171LG	K9679SK	K9679QK
	1.5 m	K9171NH	K9171LH	K9679SL	K9679QL
	2.0 m	K9171NJ	K9171LJ	K9679SM	K9679QM
	2.5 m	K9171NK	K9171LL	K9679SN	K9679QN
	3.0 m	K9171NL	K9171LK	K9679SP	K9679QP
	3.5 m	—	K9171GS	—	K9679QQ
	4.0 m	—	K9171GT	—	K9679QR
With Cleaner Type (-JT)	1.0 m	K9171NA	K9171LA	K9679SA	K9679QA
	1.5 m	K9171NB	K9171LB	K9679SB	K9679QB
	2.0 m	K9171NC	K9171LC	K9679SC	K9679QC
	2.5 m	K9171ND	K9171LE	K9679SD	K9679QD
	3.0 m	K9171NE	K9171LD	K9679SE	K9679QE
	3.5 m	—	K9171GN	—	K9679QF
	4.0 m	—	K9171GP	—	K9679QG

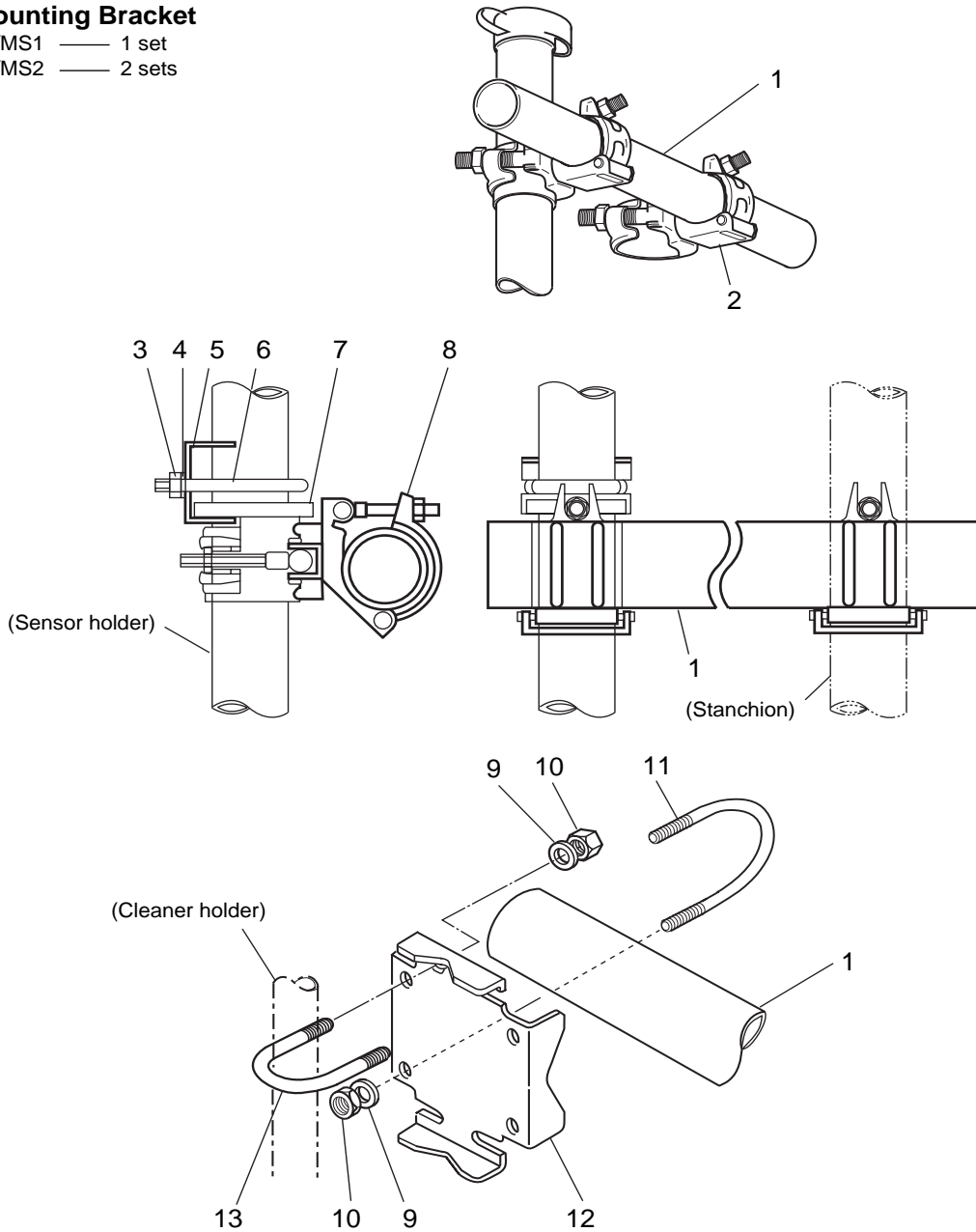
Table 2. Item 8 Cleaner Holder Part Number

Holder Length (L)	Part Number		Part Number	
	For DOX8HS-PP-□□-C	For DOX8HS-S3-□□-C	For DOX8HS-PP-□□-L	For DOX8HS-S3-□□-L
1.0 m	K9171MA	K9171KA	K9679RA	K9679NA
1.5 m	K9171MB	K9171KB	K9679RB	K9679NB
2.0 m	K9171MC	K9171KC	K9679RC	K9679NC
2.5 m	K9171MD	K9171KE	K9679RD	K9679ND
3.0 m	K9171ME	K9171KD	K9679RE	K9679NE
3.5 m	—	K9171KF	—	K9679NF
4.0 m	—	K9171KG	—	K9679NG

Option Code:/MS1, /MS2**Mounting Bracket**

/MS1 — 1 set

/MS2 — 2 sets

**For without cleaner type**

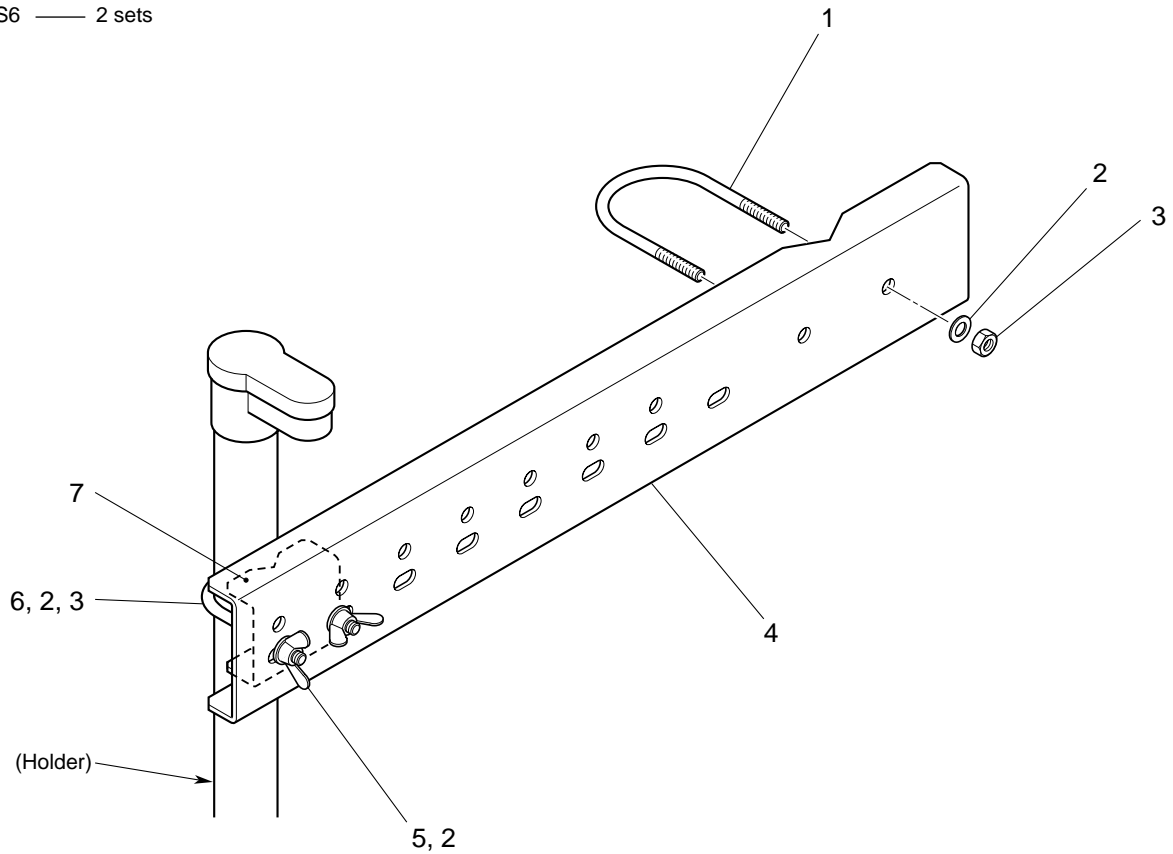
Item	Part No.	Qty	Description
1	K9144AM	1	Pipe
2	L9813VP	1	Clamp
3	Y9801BU	2	Nut
4	Y9800WU	2	Washer
5	K9145LM	1	Bracket
6	L9800JF	1	U-Bolt
7	K9145LL	1	Supporter
8	L9813VN	1	Clamp

For with cleaner type

Item	Part No.	Qty	Description
1	K9144AM	1	Pipe
2	L9813VP	1	Clamp
9	Y9800WU	8	Washer
10	Y9801BU	8	Nut
11	L9800JC	2	U-Bolt
12	K9144SA	1	Bracket
13	L9800JG	2	U-Bolt

Option Code: /MS5, /MS6**Mounting Bracket**

/MS5 — 1 set
 /MS6 — 2 sets



Item	Part No.	Qty	Description
1	L9800JJ	1	U-Bolt
2	Y9800WU	6	Washer
3	Y9801BU	4	Nut
4	K9145LQ	1	Bracket
5	L9800PV	2	Nut
6	K9145LW	1	U-Bolt
7	K9145LR	1	Bracket

Revision Information

- Title : DOX8HS Submersion Type Holder
- Manual No. : IM 19H1D2-01E

Dec. 2012/4th Edition Addition of DO70G Sensor, etc

P.i, Introduction, " 2. Contents" Table: Added of the DO70G optical dissolved oxygen sensor; P.1-1, Section 1.1, " Features of the DOX8HS Submersion Type Holder" Figure 1.1: Added of the figure; P.1-2, Section 1.2.1, " Standard Specifications" Applicable sensors: Added of the DO70G optical dissolved oxygen sensor. Section 1.2.2, "Model and Suffix codes" Added of the DO70G; P.1-3, Section 1.2.3, " External Dimensions" Added of the model name (DO30G and SS300G); P.1-4, Section 1.2.3, " External Dimensions" Added of the model name (DO70G); P.1-5, Section 1.2.3, " External Dimensions" Added of the model name (DO30G and SS300G); P.1-6, Section 1.2.3, " External Dimensions" Added of the model name (DO70G); P.3-3, Section 3.2.1, " Selecting Measurement Point" Added of the description of the DO70G; P.3-4, Section 3.3.1, " Items to Note with Regard to Piping Work" Style change of the PH8MV; Customer Maintenance Parts List CMPL 19H01D02-01E, revised to 3rd Edition, some of illustration changed.

Aug. 2011/3rd Edition Page layout changed by InDesign

P.1-2 Specifications are equalized to GS.

Dec. 2006/2nd Edition

Some error correction.

Dec. 1998/1st Edition

Newly published.

-
- If you want to have more information about Yokogawa products, you can visit Yokogawa's home page at the following web site.
Home page: <http://www.yokogawa.com/an>
-

