



User's Manual

MW100 Style Upgrade Guide (Instructions for the Style Upgrade Kit)

Foreword

Thank you for purchasing the MW100 style upgrade kit. This document describes the use of the kit for upgrading the MW100 main module to the latest style.

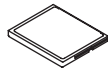
CAUTION

- When the style upgrade is applied, IP addresses, range setting information, and other parameters are all initialized, and the MW100 returns to its factory default state. Saving the existing settings to the main unit CF card prior to upgrading will allow easy reentry after upgrading.
- The IP address, subnet mask, default gateway, host name, domain name, date, and time are not saved in the setup file. Take a note of the IP address, subnet mask, default gateway, host name, and domain name.
- Upgrade both the firmware and Web software. Operation can become unstable if only one is upgraded.
- This upgrade kit cannot be used for special versions of the MW100.

Contents of the Kit

The MW100 style upgrade kit includes the following. Check that no accessories are missing or damaged.

CF card*1

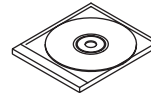


*1 Includes the firmware for the style upgrade.

MW100 Viewer Software
Model: MW180-1

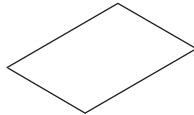


MW100 Manual CD-ROM*2
Part number: B8724XA

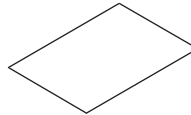


*2 Contains the MW100 Data Acquisition Unit User's Manual (IM MW100-01E) and the MW100 Viewer Software User's Manual (IM MW180-01E).

MW100 Style Upgrade Guide (this manual)
Model: IM 772050-02E



MX100/MW100 Data Acquisition Unit
Installation and Connection Guide
Model: IM MX100-72E



MW100 Operation Guide
Model: IM MW100-02E



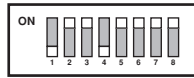
Upgrade seal
Part number: B8722AE



Shows the latest style number.

Procedure for Upgrade

1. With the power to the MW100 turned OFF, insert the CF card containing the style upgrade firmware into the card slot.
2. Turn OFF dip switch numbers 1 and 4.



SW2 to 3, SW5 to 8: ON
SW1, SW4: OFF

3. Turn ON the power, then wait until the 7-segment LED displays **b7**.
4. Turn OFF the power, then turn ON dip switch number 1.



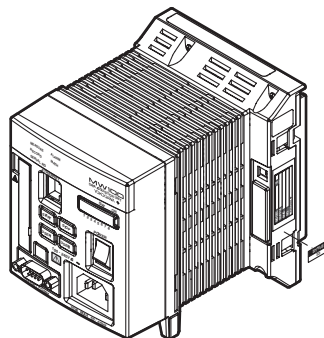
SW1 to 3, SW5 to 8: ON
SW4: OFF

5. Turn ON the power, then wait until the 7-segment LED displays **90**.
6. Turn OFF the power, then turn dip switch number 4 ON and number 3 OFF.



SW1 to 2, SW4 to 8: ON
SW3: OFF

7. Turn ON the power, then wait until the 7-segment LED displays **bC**. This concludes the download. If the display reads something other than **b7**, **90**, or **bC**, the download failed. Make sure the CF card is completely inserted, and repeat the procedure from step 1.
8. Return dip switches to their original positions (all ON). Power cycle the instrument.
9. Affix the seal indicating the changed style number below the name plate.



Affix the upgrade seal



Checking the Style of the MW100 Main Module

Install the software supporting the new style (the MW100 standard software is included with this kit), then set the MW100's host name and IP address with the MW100 IP Setting Software and check the style. For details, see the MW100 Data Viewer Software User's Manual (IM MW180-01E) section 2.2, and the MW100 Data Acquisition Unit User's Manual (IM MW100-01E) section 3.3 on Viewing and Initializing the System Information.