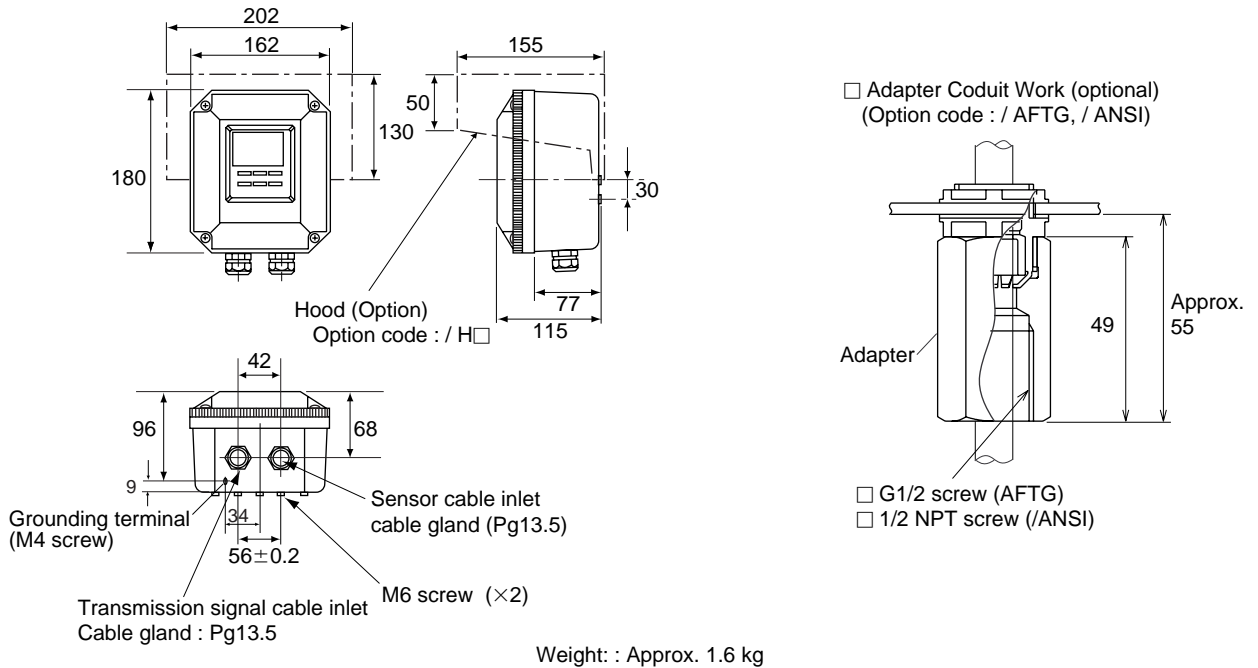
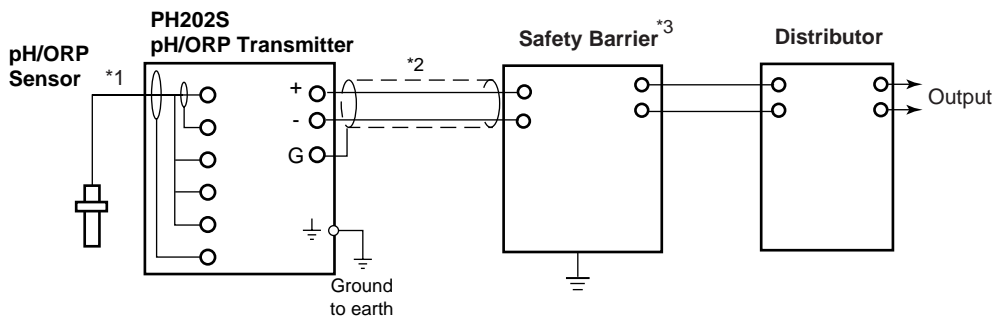


Unit : mm



### Wiring Diagrams Example of Explosionproof System



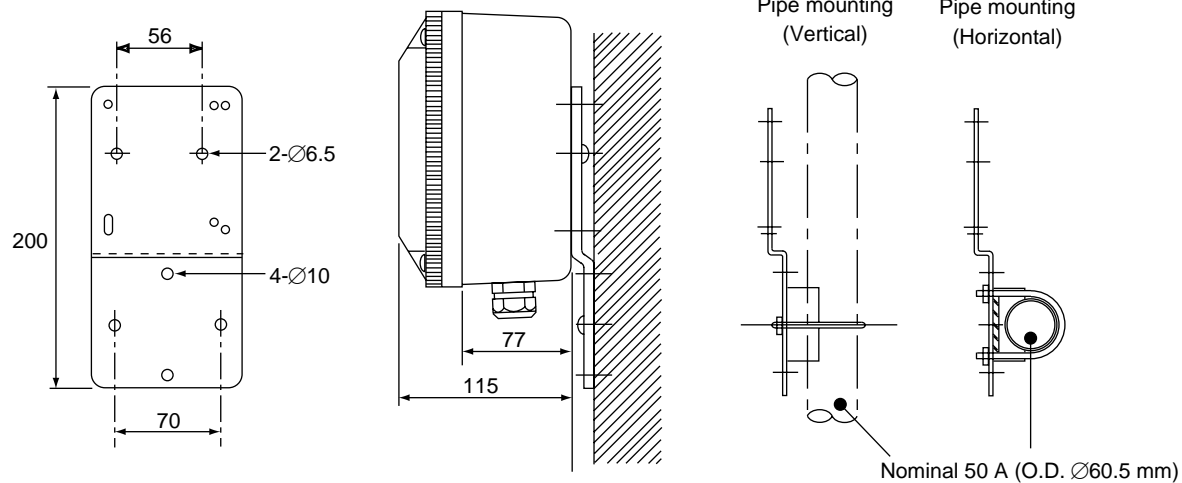
- \*1: This cable is specified by the additional code of a pH sensor, or a sensor cable.
- \*2: Use two-wire cable with OD (Outside Diameter) of 6 to 12 mm.
- \*3: For intrinsically safe approval, use the safety barrier certified by the testing laboratories.  
In case of non-incendive type (PH202S-B, -N, -D), the safety barrier is not necessary.

WiringDiats.EPS

Unless otherwise specified, differences in the dimensions are specified as : General tolerance = ±(Criteria of tolerance class IT18 in JIS B0401 - 1986)/2

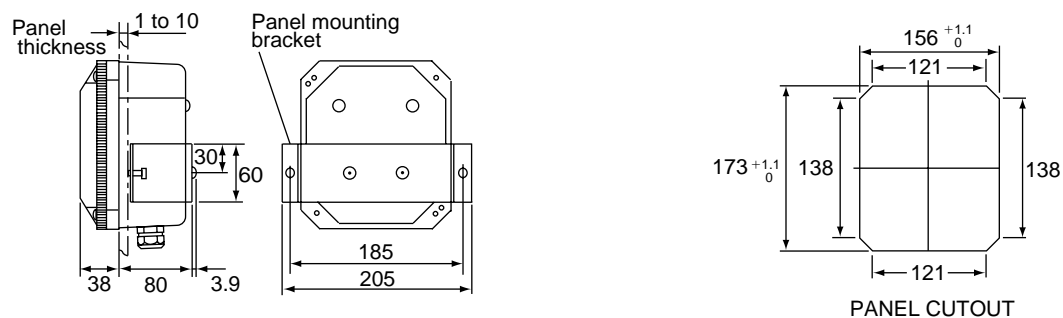
□ Pipe Mounting Hardware (Option code : / U )

Weight : Approx. 0.4kg

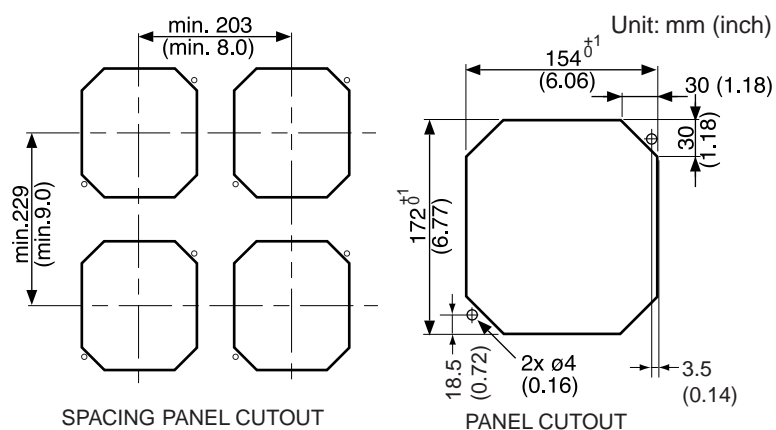


□ Panel Mounting Hardware (Option code : /PM)

Weight : Approx. 0.4kg



Panel Mounting when using two(2) self-tapping screws



Unless otherwise specified, differences in the dimensions are specified as : General tolerance = ±(Criteria of tolerance class IT18 in JIS B0401 - 1986)/2