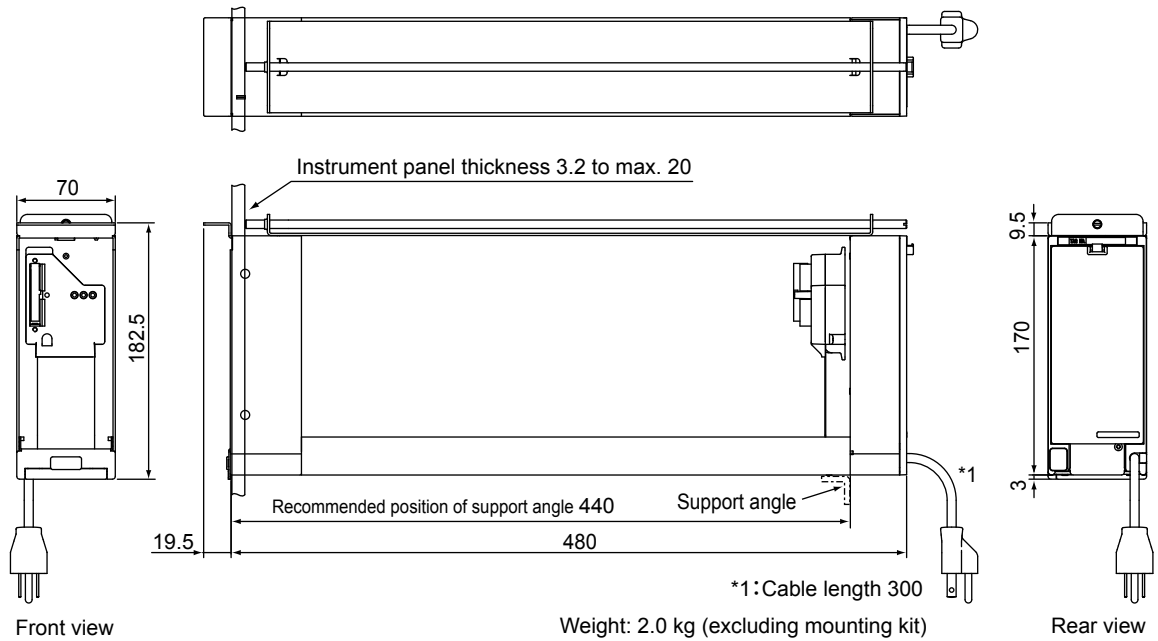


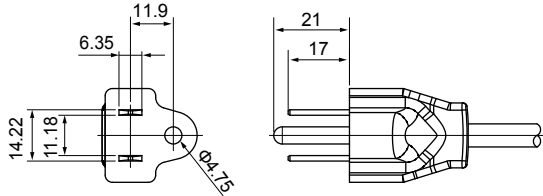
SD 01B04F01-04E

Unit: mm

<External Dimensions>

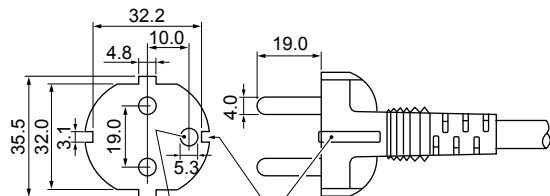


Outline Drawing of 100V Version Plug



JIS C 8303 15A, 125 V Grounding Type Two-prong Attachment Plug

Outline Drawing of 220V Version Plug (Optional Code: /A2ER)

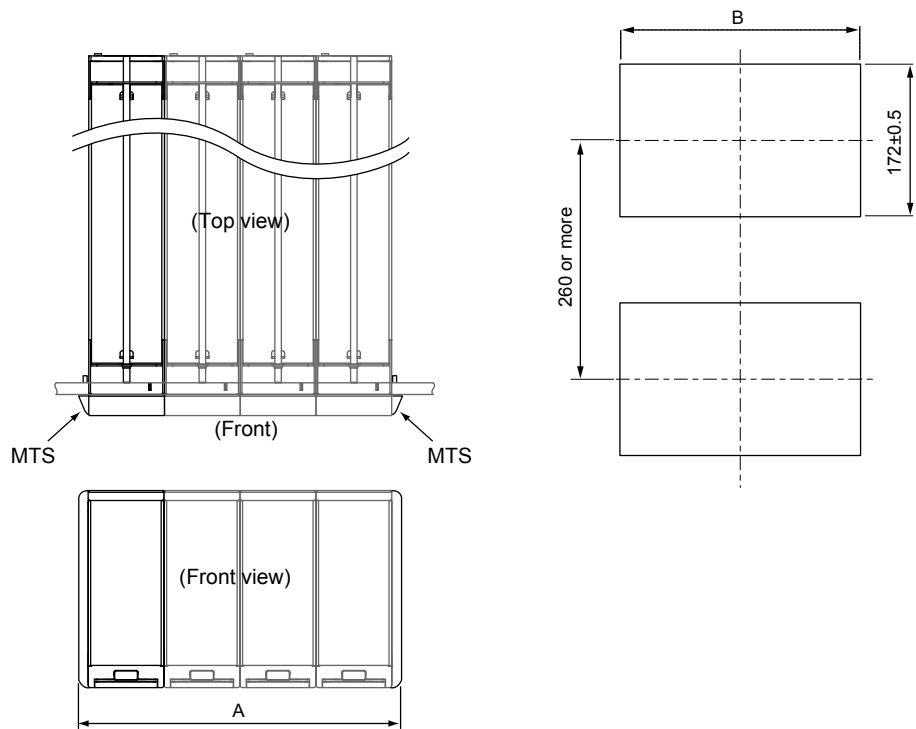


Ground contact hole

Ground contact

CEE PUBLICATION 7 STANDARD SHEET VII
10/16A 250V TWO-POLE PLUG WITH DUAL-EARTHING CONTACTS

● Panel Cutout Dimensions



Number of Units Location	1	2	3	4	5	6	7	8
A*	87	157	227	297	367	437	507	577
B	80 ⁺¹ ₀	150 ⁺¹ ₀	220 ⁺¹ ₀	290 ⁺¹ ₀	360 ⁺¹ ₀	430 ⁺¹ ₀	500 ⁺¹ ₀	570 ⁺¹ ₀

Number of Units Location	9	10	11	12	13	14	15
A*	647	717	787	857	927	997	1067
B	640 ⁺¹ ₀	710 ⁺¹ ₀	780 ⁺¹ ₀	850 ⁺¹ ₀	920 ⁺¹ ₀	990 ⁺¹ ₀	1060 ⁺¹ ₀

*: The numerical values in line A include the MTS's bezels.

Note: If the YS series is mounted at an end in single mounting or side-by-side mounting, attach the separately sold mounting kit (MTS) to the housing.