

Drawings

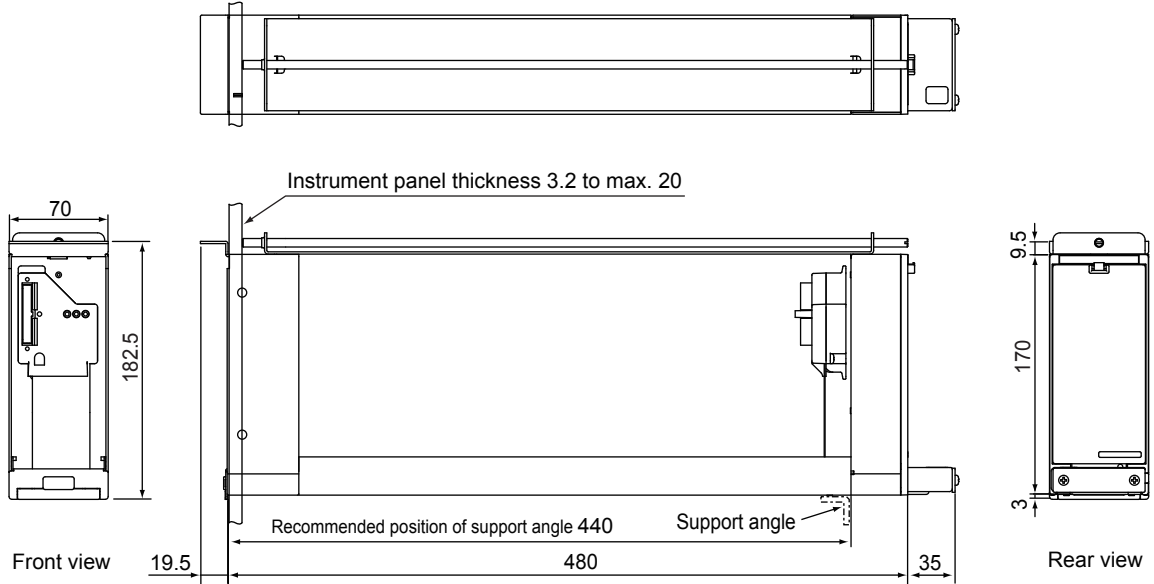
SHUP-000*A/HTB
Housing Kit
(YS80 Housing, Power Terminal Type)
XJSHUP.001

YEW SERIES 80

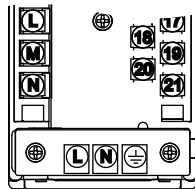
SD 01B04F01-11E

Unit: mm

<External Dimensions>



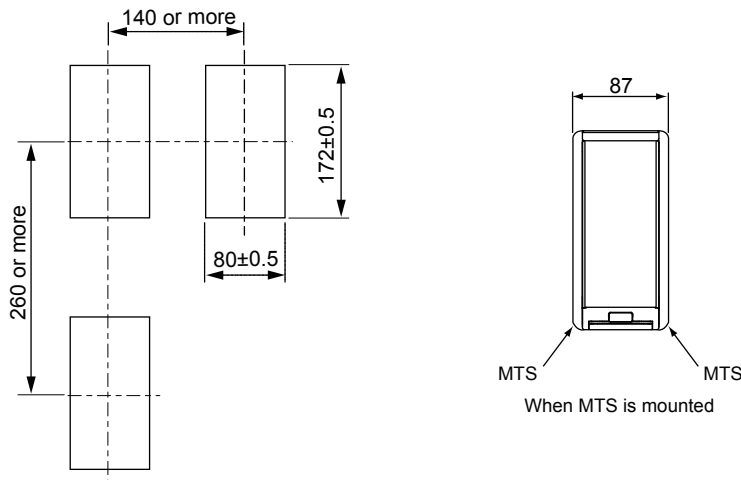
Weight: 2.0 kg (excluding mounting kit)



Terminal Symbol	Remarks
L	+ Power supply (DC or AC)
N	-
⊕	Grounding

Note: Be aware that the signal terminals also have L and N terminals.

● Panel Cutout Dimensions



Note: If the YS series is mounted at an end in single mounting or side-by-side mounting, attach the separately sold mounting kit (MTS) to the housing.