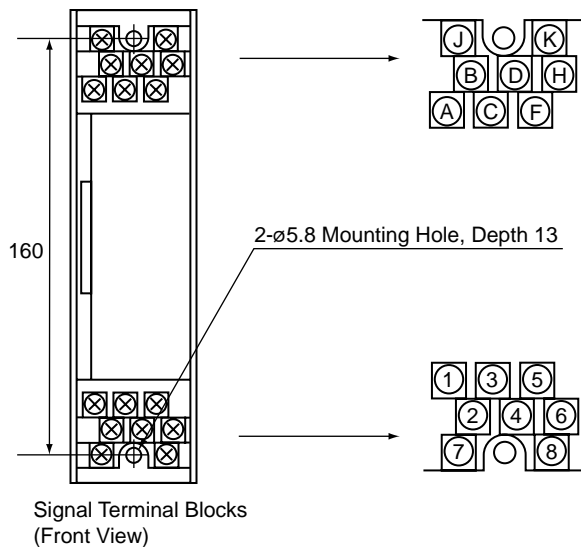
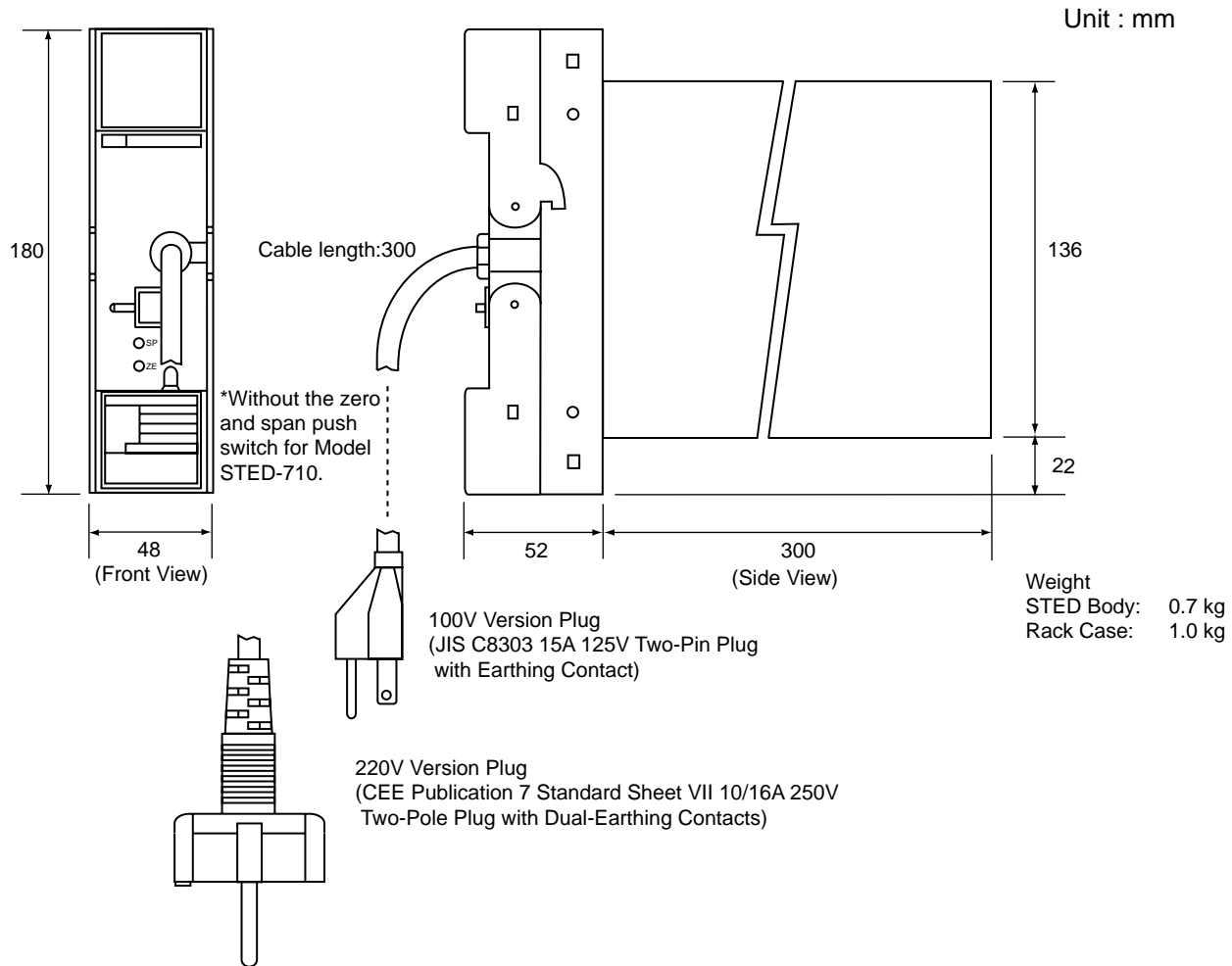


Drawings

Model STED (Style R) mV, Temperature and Potentiometer Voltage Converters

YEW SERIES 80

<Dimensions>



Terminal Connections(Screws:M4)

Terminal Designation	Description
A	+ > Output 1(1 to 5V DC)
B	- >
C	+ > Output 3(4 to 20mA DC)*
D	- >
F	+ > Output 2(1 to 5V DC)
H	- >
J	
K	

Note: If these terminal are not used, disconnect them.

Terminal Connections(Screws:M4)

Terminal Designation	Description
1	+ > A
2	- > B
3	
4	
5	(Reference junction block installation terminal)
6	
7	
8	