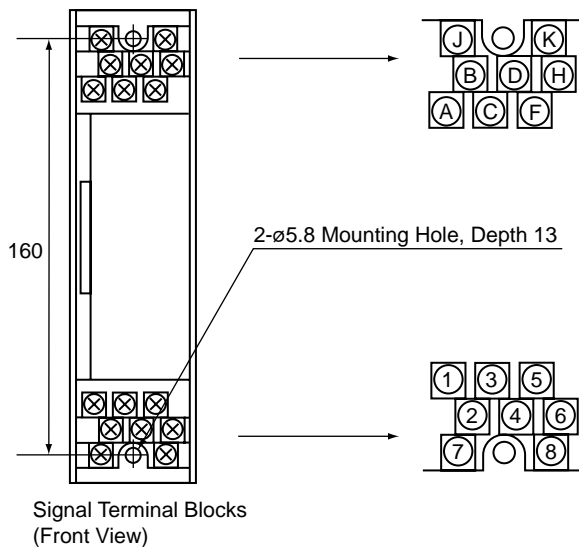
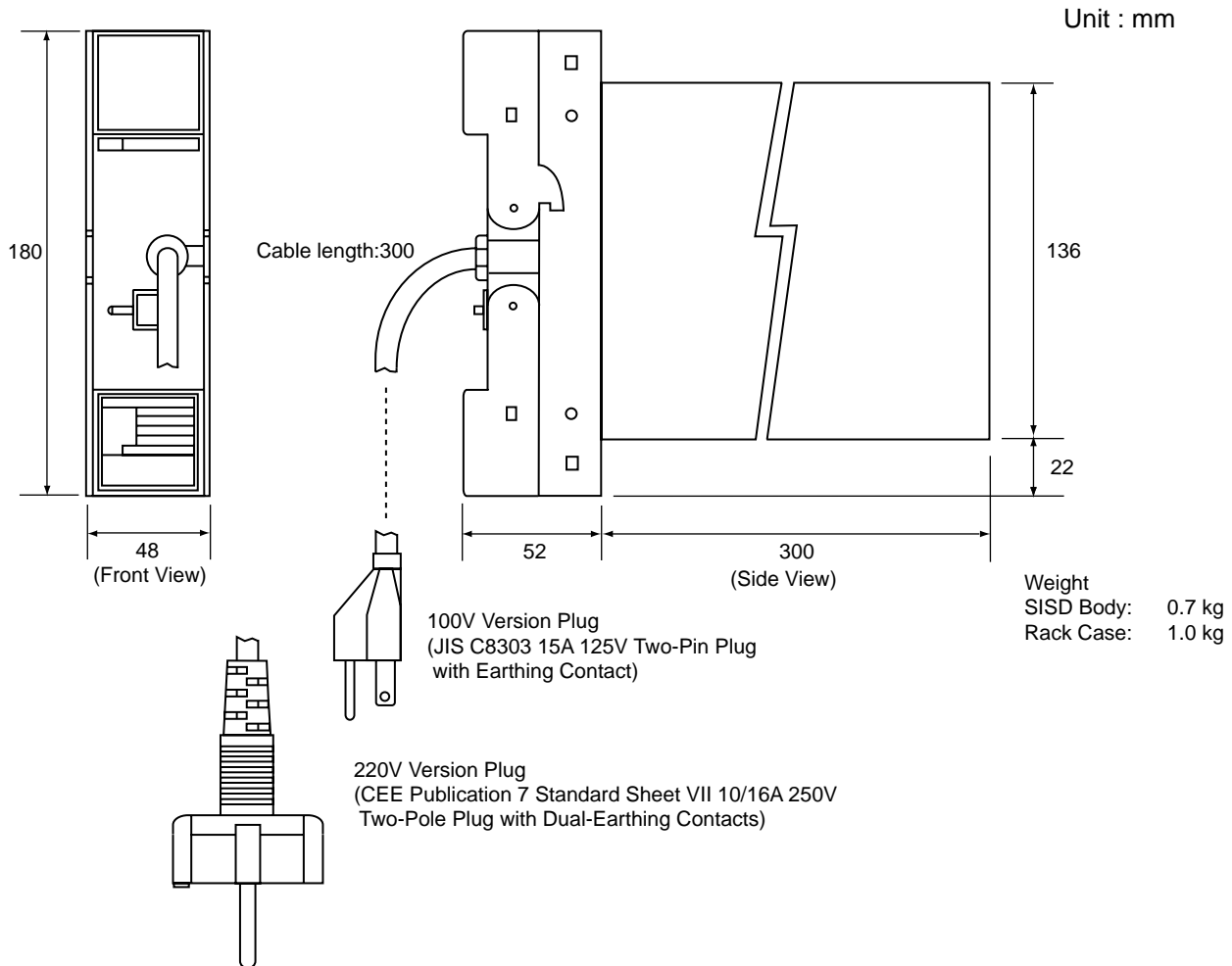


<Dimensions>



Terminal Connections(Screws:M4)

Terminal Designation	Description
A	+ > Output(1 to 5V DC)
B	-
C	
D	
F	+ > Output(4 to 20mA DC)*
H	-
J	
K	

Note: If these terminal are not used, disconnect them.

Terminal Connections(Screws:M4)

Terminal Designation	Description
1	+ > Input(1 to 5V DC)
2	-
3	
4	
5	
6	
7	
8	