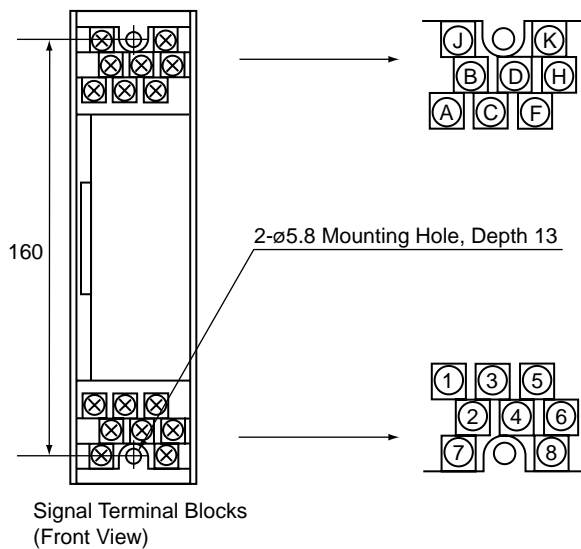
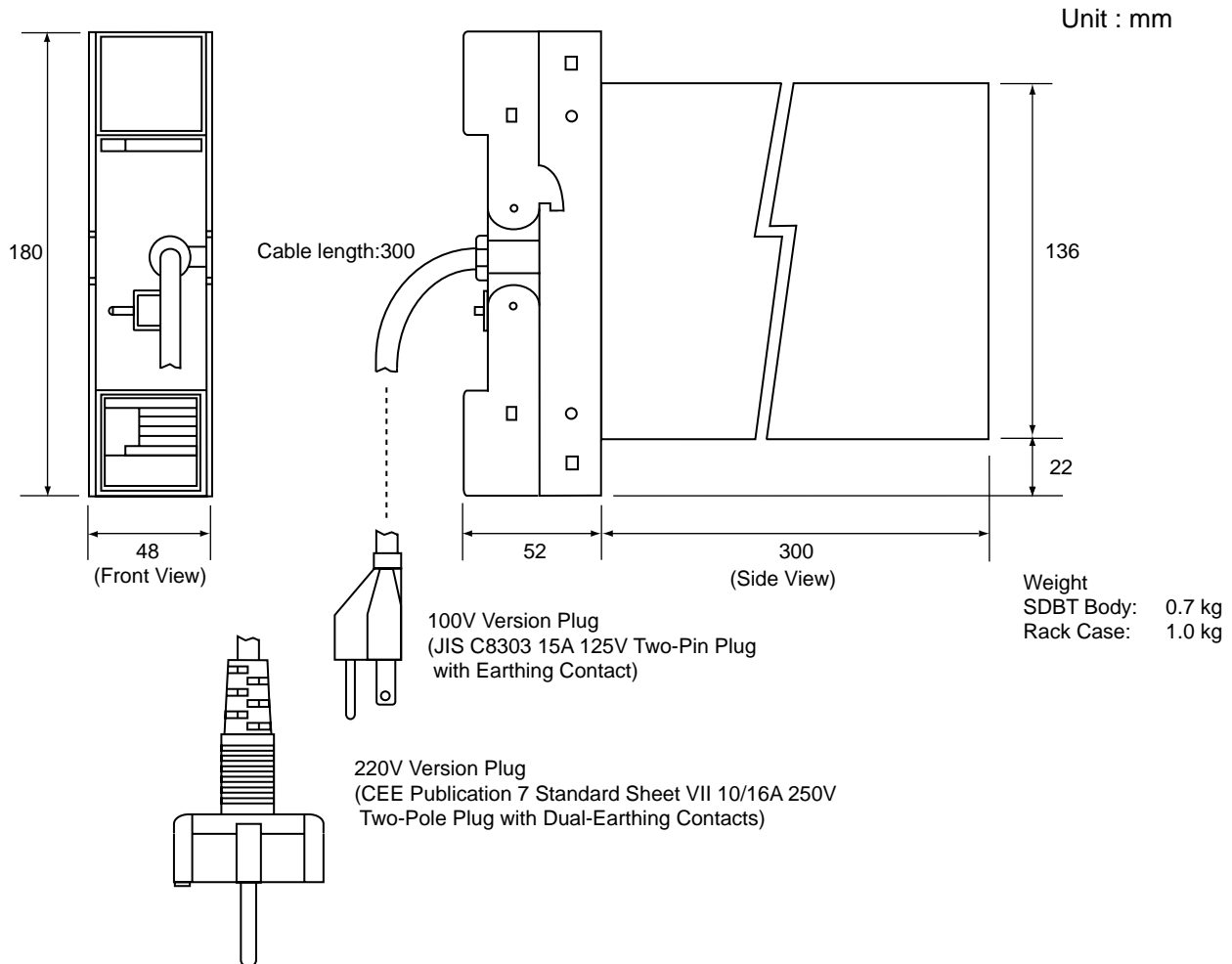


## <Dimensions>



### Terminal Connections(Screws:M4)

Terminal Designation	Description
A	+ > No.1 Output(1 to 5V DC)
B	- >
C	+ > No.3 Output(4 to 20mA DC)*1
D	- >
F	+ > No.2 Output(1 to 5V DC)
H	- >
J	
K	

Note1: For Model SDBT-2 only. If these terminals are not used, disconnect them.

### Terminal Connections(Screws:M4)

Terminal Designation	Description
1	+ > Transmitter Connection
2	- >
3	
4	
5	
6	
7	COM Common for Safety Barrier*2
8	

Note2: When used with BARD safety Barrier.