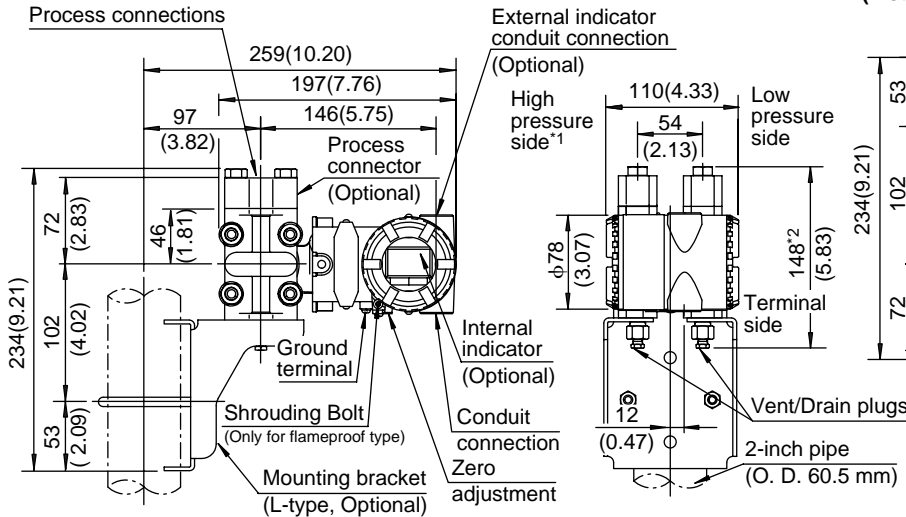


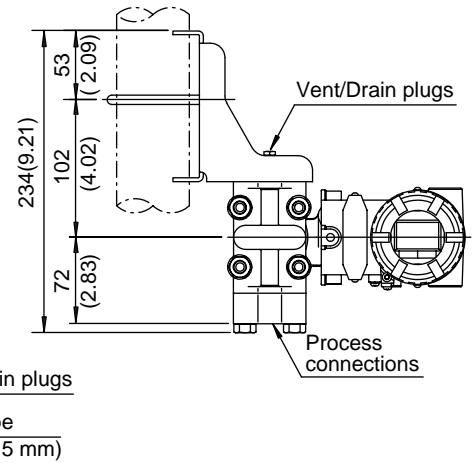
Unit: mm(approx. inch)

### ● Vertical Impulse Piping Type

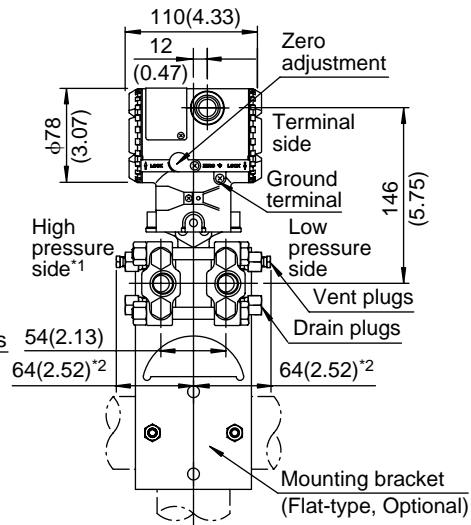
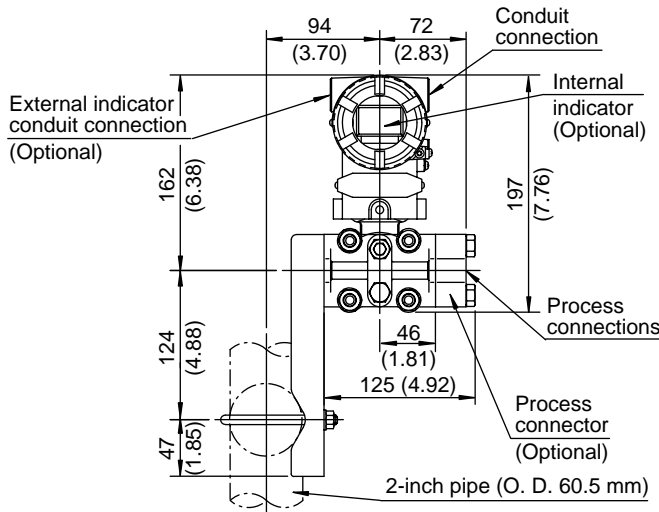
Process connector upside (Installation code 6)



Process connector downside (Installation code 7)



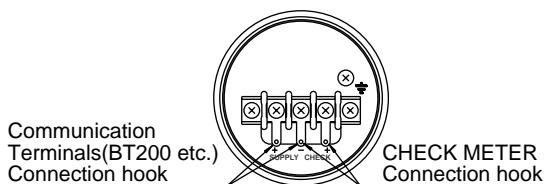
### ● Horizontal Impulse Piping Type (Installation code 9)



\*1: When Installation code 2, 3, or 8 is selected, high and low pressure side on above figure are reversed. (i. e. High pressure side is on the right side.)

\*2: When Option code K1, K2, K5, or K6 is selected, add 15 mm(0.59 inch) to the value in the figure.

### ● Terminal Configuration



### ● Terminal Wiring

SUPPLY $\pm$	Power supply and output terminal
CHECK $\pm$	External indicator(ammeter) terminal
$\equiv$	Ground terminal