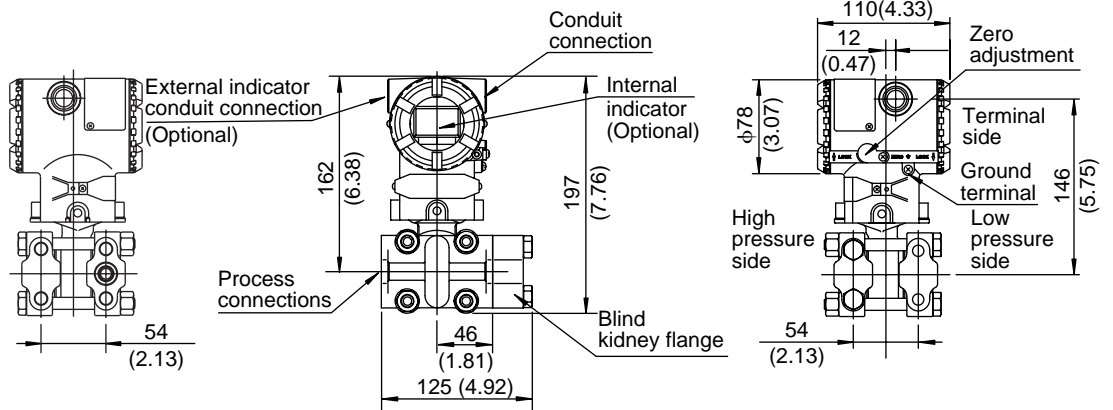
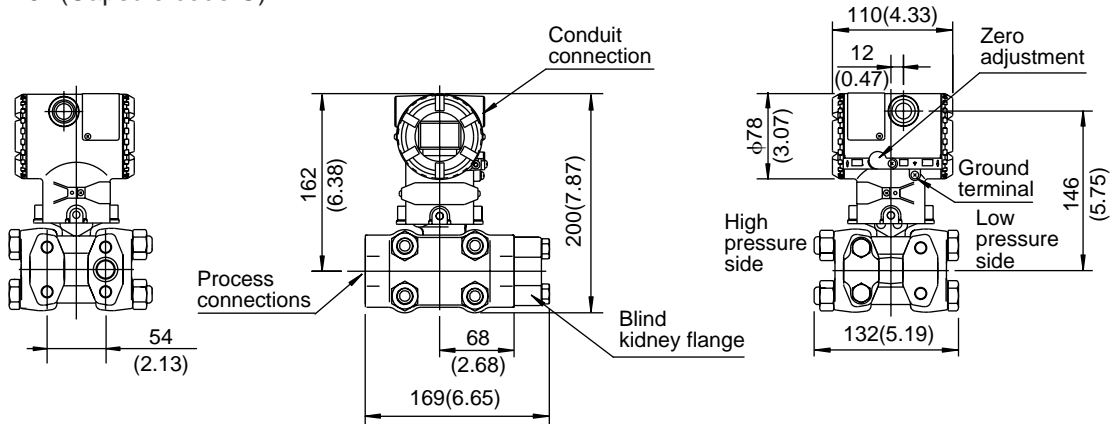


Unit: mm(approx. inch)

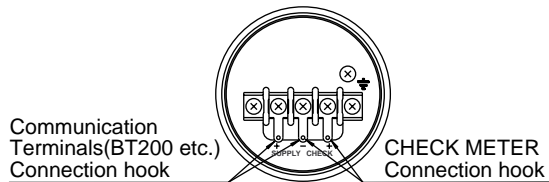
● EJA310A and EJA430A



● EJA440A(Capsule code C)



● Terminal Configuration



● Terminal Wiring

SUPPLY $\begin{matrix} + \\ - \end{matrix}$	Power supply and output terminal
CHECK $\begin{matrix} + \\ - \end{matrix}$	External indicator(ammeter) terminal
---	Ground terminal