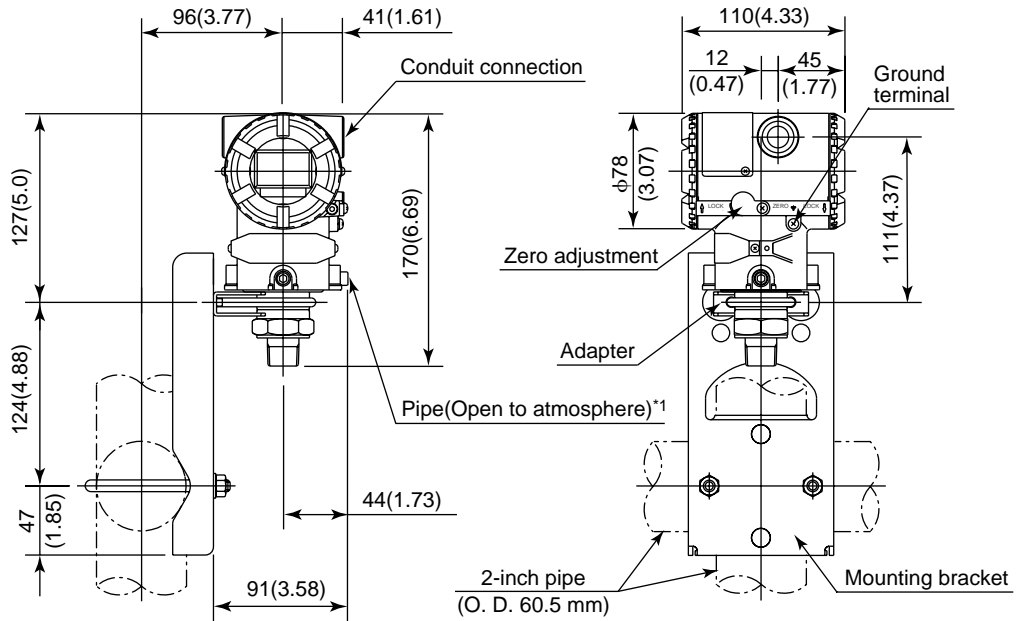


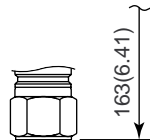
Unit: mm(approx. inch)

◆ With Process Connection code 7

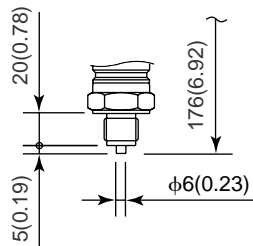


*1: Applied to EJA530A with Measurement span code A, B, and C.

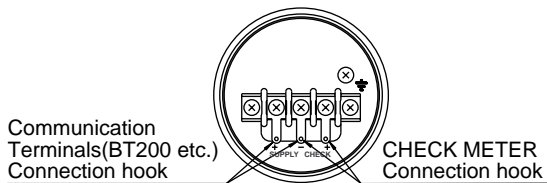
◆ For Process Connection code 4



◆ For Process Connection code 8 and 9



● Terminal Configuration



● Terminal Wiring

SUPPLY $\begin{matrix} + \\ - \end{matrix}$	Power supply and output terminal
CHECK $\begin{matrix} + \\ - \end{matrix}$	External indicator(ammeter) terminal
---	Ground terminal