

# Drawings

## EJX110A Differential Pressure Transmitter Bottom Process Connection

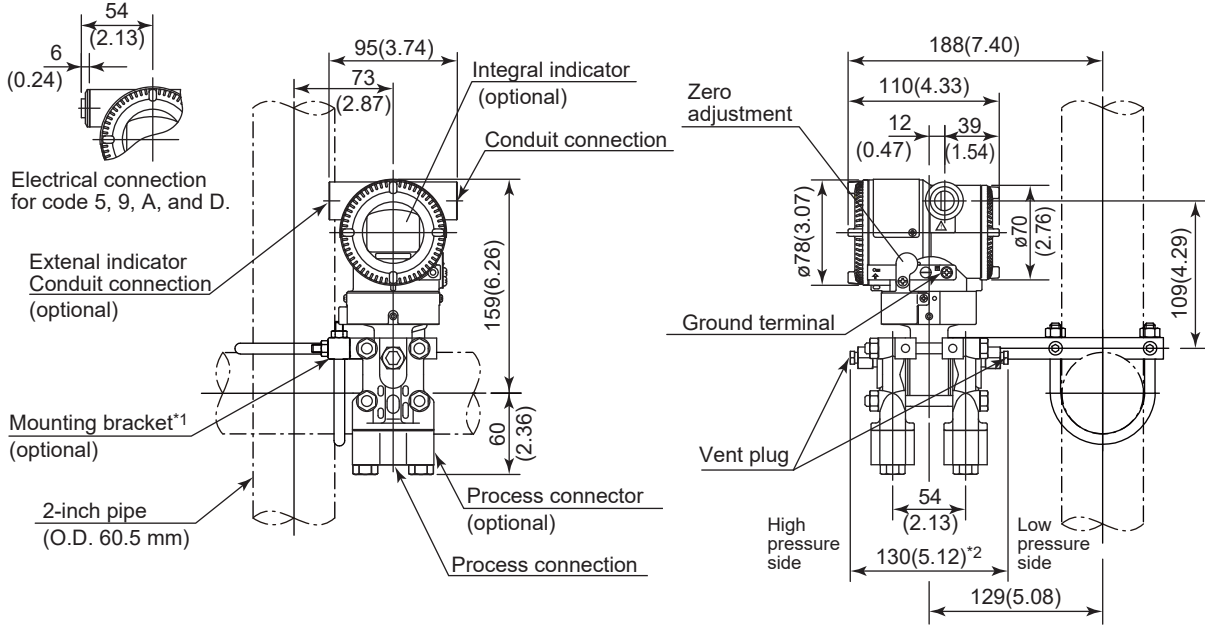
DP<sup>harp</sup> EJX™

SD 01C25B01-02E

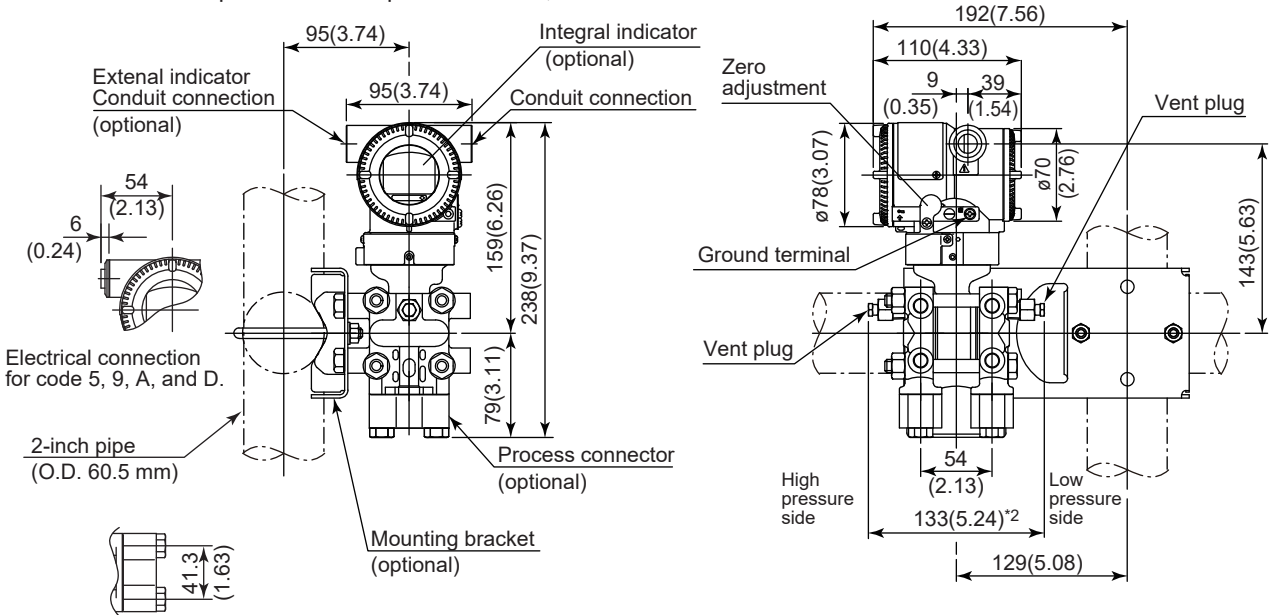
[Style: S3]

Unit: mm (approx. inch)

- Bottom Process Connection (Installation code B)  
Measurement span code M, H and V, except for option code /HD and /HD2



Measurement span code F or option code /HD, /HD2

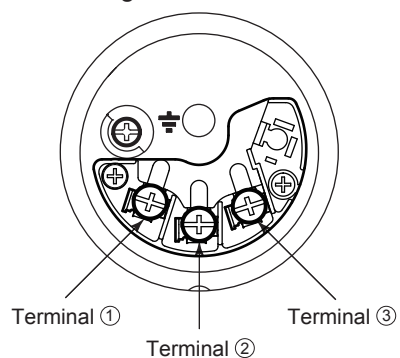


\*1: A transmitter with SST housing is not applicable for mounting to horizontal 2-inch pipe.

\*2: When option code K1, K2, K5 or K6 is selected, add 30 mm (1.18 inch) to the value in the figure.

\*3: When electrical connection code 7 or C is selected, a blind plug is protruded up to 8 mm (0.31 inch) from the conduit connection.

- Terminal Configuration



- Terminal Wiring

SUPPLY	+	①	Power supply and output terminals
	-	②	
CHECK	+	③	External indicator (ammeter) terminals*1*2
or	-	②	
ALARM	+	③	Status contact output terminals*2
	-	②	
		⏏	Ground terminal

\*1: When using an external indicator or check meter, the internal resistance must be 10  $\Omega$  or less. A check meter or indicator cannot be connected when /AL option is specified.

\*2: Not available for FOUNDATION Fieldbus and PROFIBUS PA communication types.