

Drawings

EJX110A Differential Pressure Transmitter Universal Flange



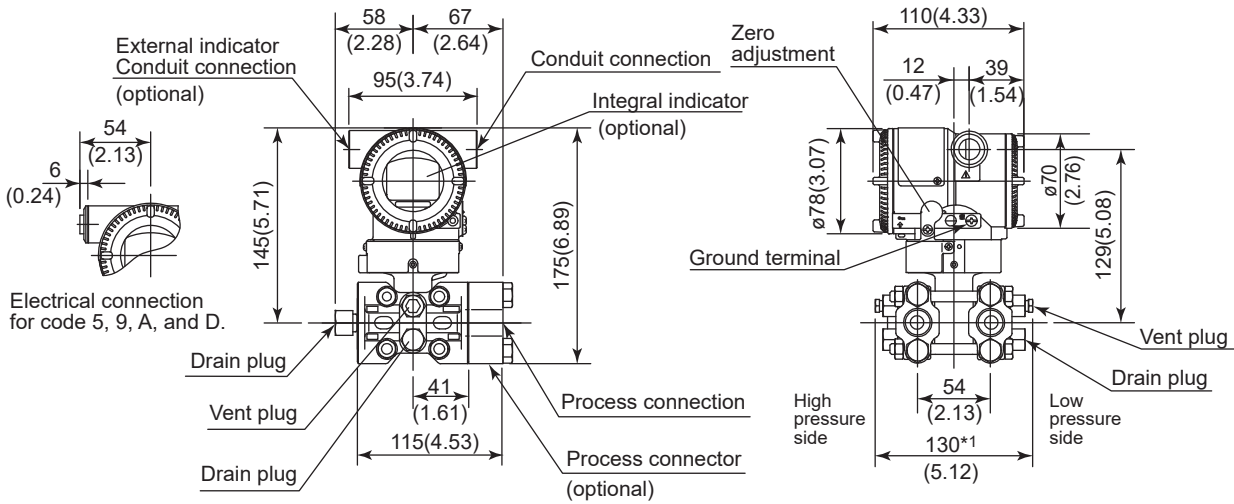
SD 01C25B01-05E

[Style: S3]

Unit: mm (approx. inch)

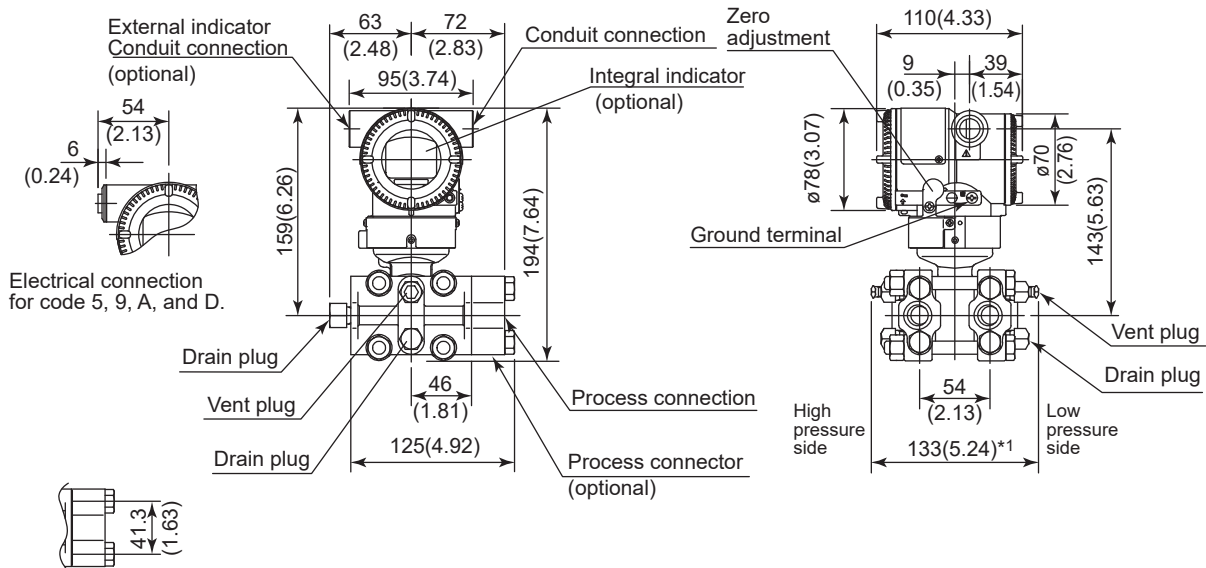
- Universal Flange (Installation code U)

Measurement span code M, H and V, except for option code /HD, /HD2



- Universal Flange (Installation code U)

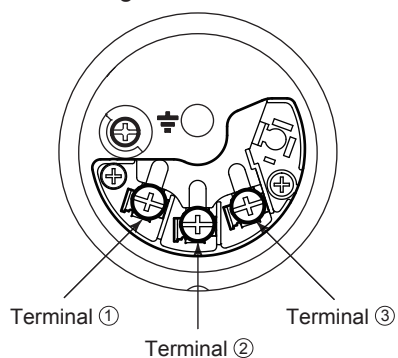
Measurement span code F or option code /HD, /HD2



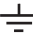
*1: When Option code K1, K2, K5, or K6 is selected, add 30 mm(1.18 inch) to the value.

*2: When electrical connection code 7 or C is selected, a blind plug is protruded up to 8 mm (0.31 inch) from the conduit connection.

- Terminal Configuration



- Terminal Wiring

SUPPLY	+	①	Power supply and output terminals
	-	②	
CHECK	+	③	External indicator (ammeter) terminals*1*2
or	-	②	
ALARM	+	③	Status contact output terminals*2
	-	②	
			 Ground terminal

*1: When using an external indicator or check meter, the internal resistance must be 10 Ω or less. A check meter or indicator cannot be connected when /AL option is specified.

*2: Not available for FOUNDATION Fieldbus and PROFIBUS PA communication types.