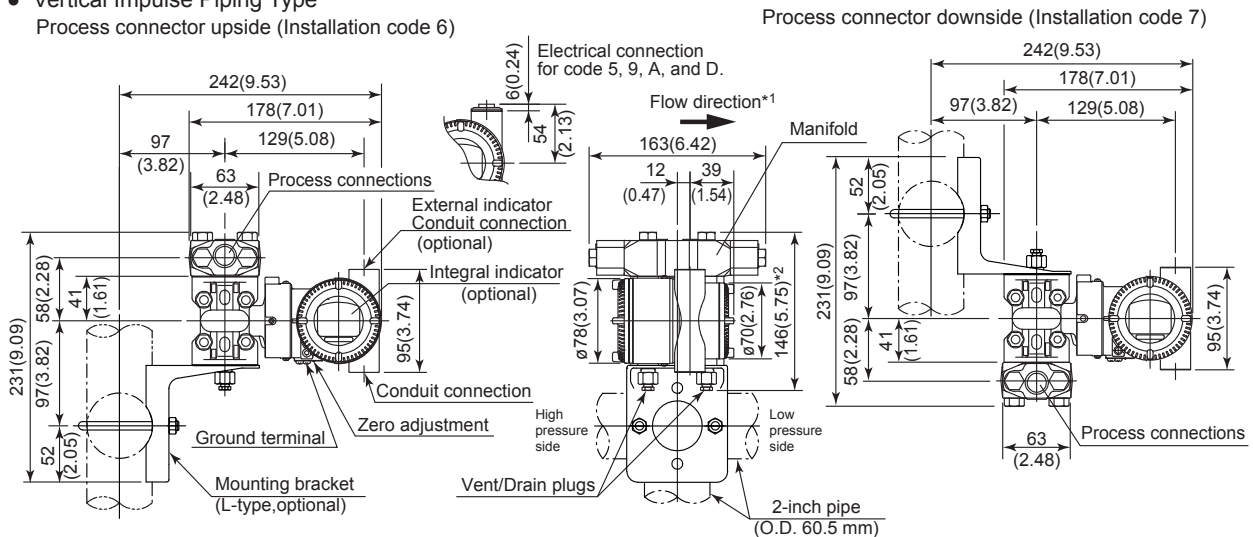


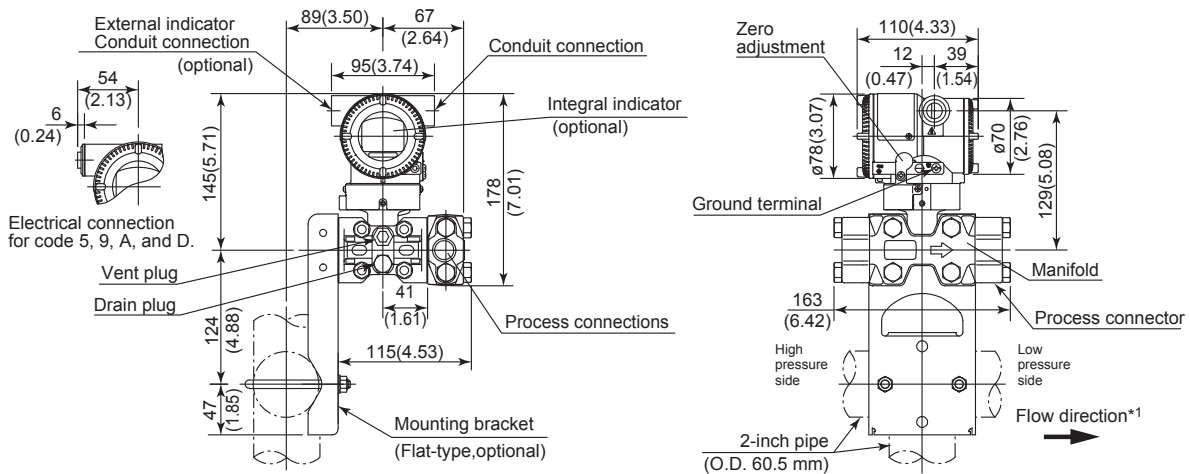
Unit: mm (approx. inch)

### Measurement Span Code: M, H

- Vertical Impulse Piping Type  
Process connector upside (Installation code 6)



- Horizontal Impulse Piping Type (Installation code 9)

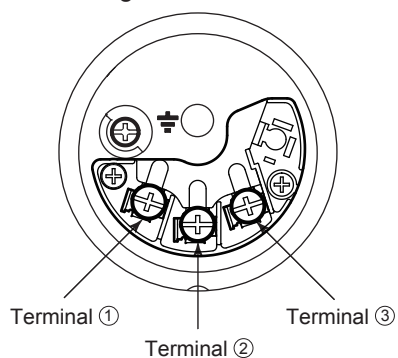


\*1: When Installation code 2, 3, or 8 is selected, the flow direction on above figure is reversed.


\*2: When Option code K1, K2, K5, or K6 is selected, add 15 mm (0.59 inch) to the value in the figure.

\*3: When electrical connection code 7 or C is selected, a blind plug is protruded up to 8 mm from the conduit connection.

- Terminal Configuration



- Terminal Wiring

SUPPLY	+	①	Power supply and output terminals
	-	②	
CHECK	+	③	External indicator (ammeter) terminals*1*2
or	-	②	
ALARM	+	③	Status contact output terminals*2
	-	②	
			 Ground terminal

\*1: When using an external indicator or check meter, the internal resistance must be 10  $\Omega$  or less. A check meter or indicator cannot be connected when /AL option is specified.

\*2: Not available for FOUNDATION Fieldbus and PROFIBUS PA communication types.