

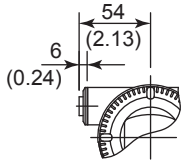
Drawings

EJXC80A, EJAC80E Diaphragm Seal System
 EJX110A, EJA110E with Direct Mount Flanged
 Diaphragm Seal for High Pressure Side and
 Remote Mount Flanged Diaphragm Seal for
 Low Pressure Side

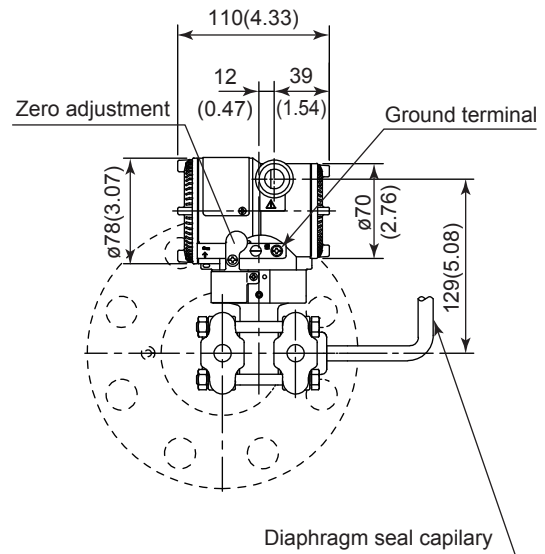
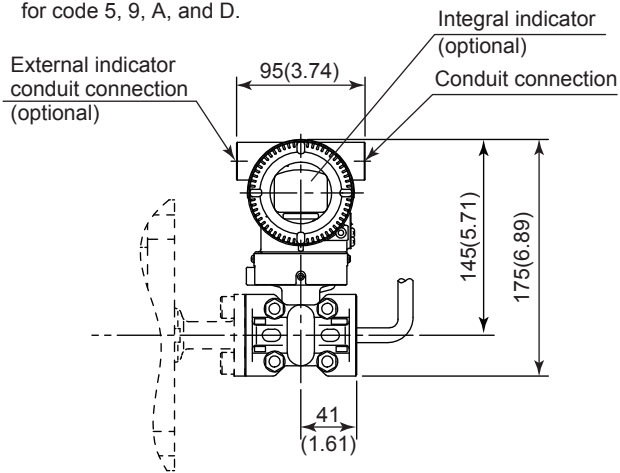


SD 01C25W01-51EN

Unit: mm (approx. inch)

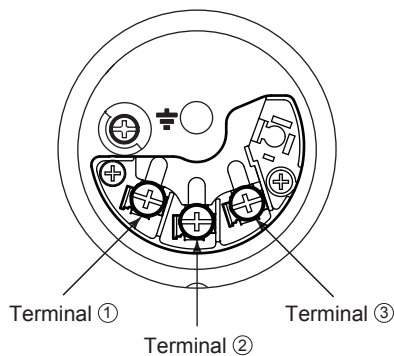


Electrical connection
 for code 5, 9, A, and D.



*1: When electrical connection code 7 or C is selected, a blind plug is protruded up to 8 mm(0.31 inch) from the conduit connection.

Terminal Configuration



Terminal Wiring

SUPPLY	+ -	① ②	Power supply and output terminals
CHECK or ALARM	+ - + -	③ ② ③ ②	External indicator (ammeter) terminals*1*2 or Status contact output terminals*2 (when /AL is specified)
		⏏	Ground terminal

*1: When using an external indicator or check meter, the internal resistance must be 10 Ω or less. A check meter or indicator cannot be connected when /AL option is specified.

*2: Not available for FOUNDATION Fieldbus and PROFIBUS PA communication types.