

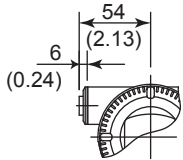
# Drawings

EJXC80A, EJAC80E Diaphragm Seal System  
 EJX110A, EJA110E with Direct Mount Flanged  
 Diaphragm Seal with Compensating Capillary  
 for High Pressure Side and Remote Mount  
 Flanged Diaphragm Seal for Low Pressure Side

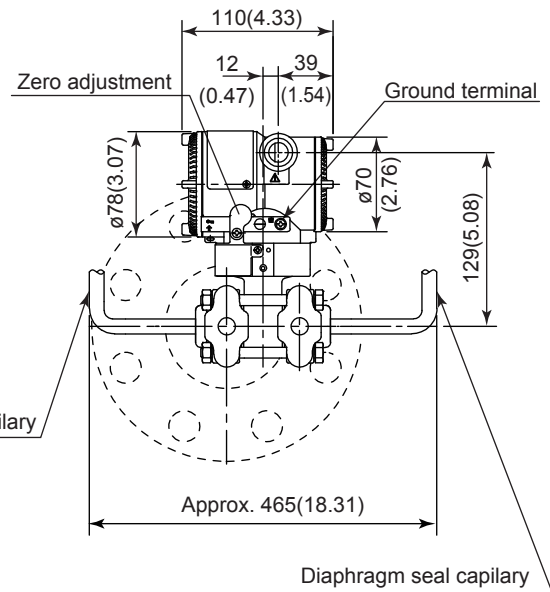
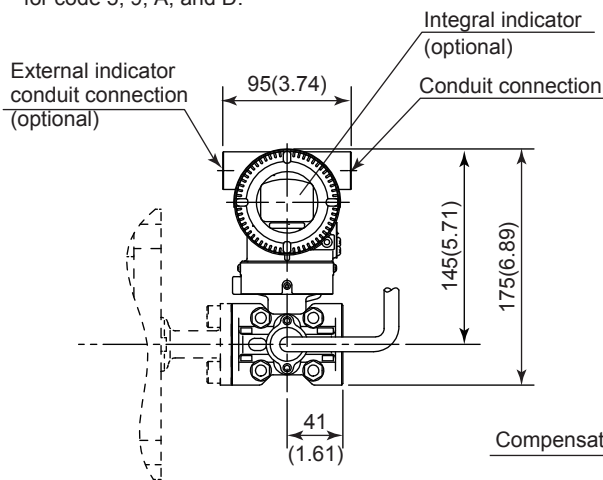


SD 01C25W01-54EN

Unit: mm (approx. inch)

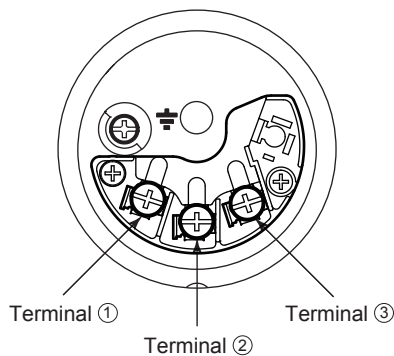


Electrical connection for code 5, 9, A, and D.



\*1: When electrical connection code 7 or C is selected, a blind plug is protruded up to 8 mm(0.31 inch) from the conduit connection.

## Terminal Configuration



## Terminal Wiring

SUPPLY	+ -	① ②	Power supply and output terminals
CHECK or ALARM	+ - + -	③ ② ③ ②	External indicator (ammeter) terminals*1*2 or Status contact output terminals*2 (when /AL is specified)
		⊥	Ground terminal

\*1: When using an external indicator or check meter, the internal resistance must be 10 Ω or less. A check meter or indicator cannot be connected when /AL option is specified.

\*2: Not available for FOUNDATION Fieldbus and PROFIBUS PA communication types.