

Drawings

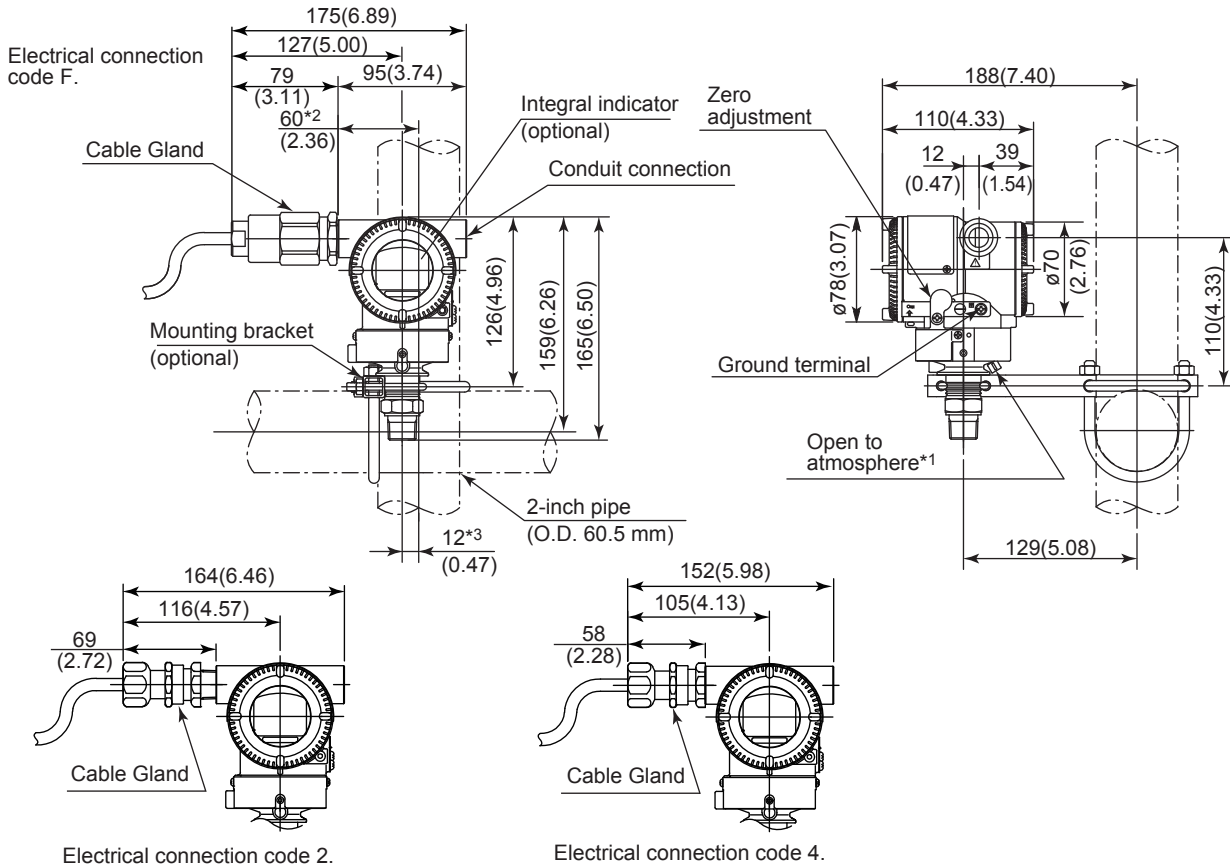
EJXC40A
Digital Remote Sensor
Master Transmitter
(EJX530A/EJX630A Output Signal Code -P)



SD 01C25W05-01EN

- With Process connections code 7

Unit: mm (approx. inch)

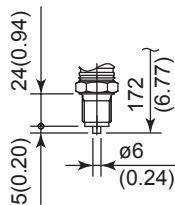


- With Process connections code 4

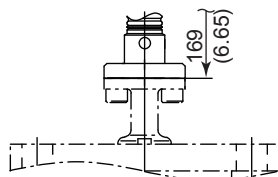


*1: Only for EJX530A and EJX630A whose measurement span code is A, B, or C.
*2: 58 mm(2.28 inch) for measurement span code D.
*3: 11 mm(0.43 inch) for measurement span code D.

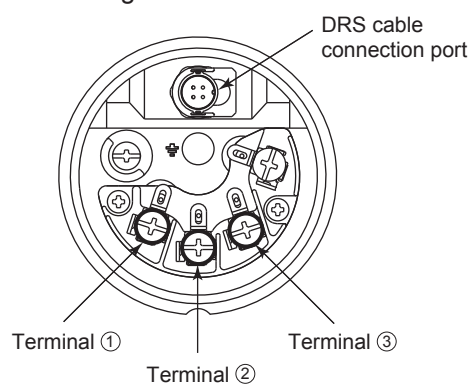
- With Process connections code 8 and 9



- With process connections code P



- Terminal Configuration



- Terminal Wiring

SUPPLY	+	①] Power supply and output terminals
	-	②	
CHECK	+	③] External indicator (ammeter) terminals*1
	-	②	
			⏏ Ground terminal

*1: When using an external indicator or check meter, the internal resistance must be 10 Ω or less.