

# Drawings

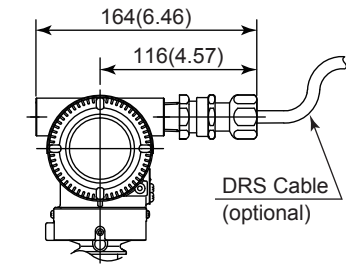
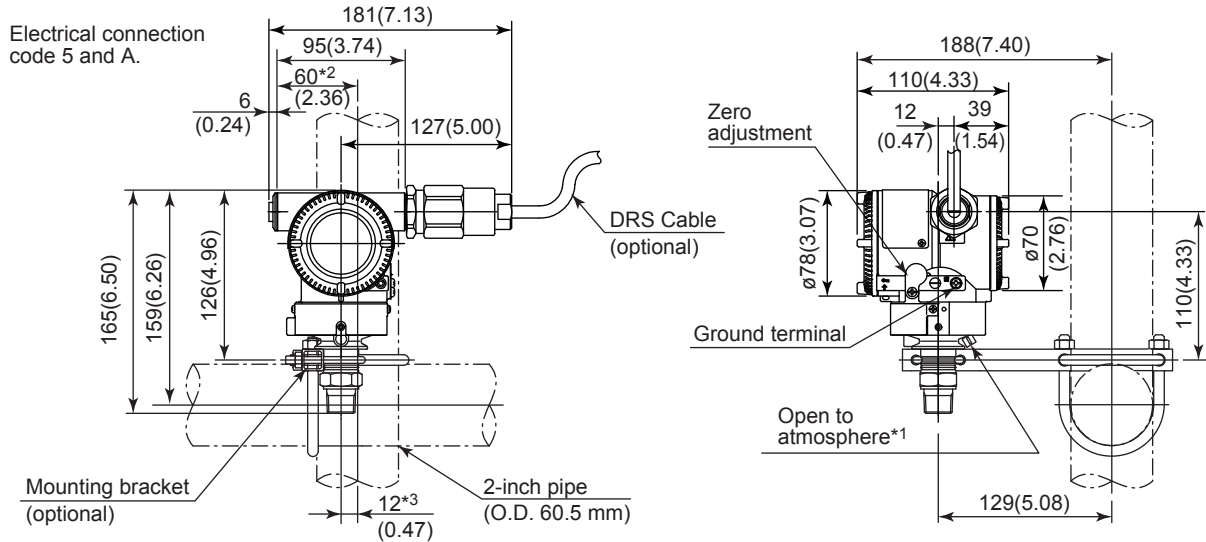
EJXC40A  
Digital Remote Sensor  
Slave Transmitter  
(EJX530A/EJX630A Output Signal Code -S)



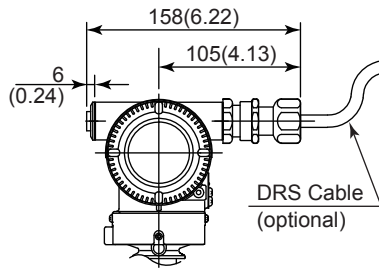
SD 01C25W05-02EN

- With Process connections code 7

Unit: mm (approx. inch)



Electrical connection code 7 and C.

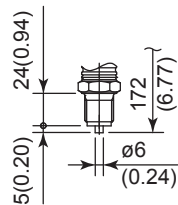


Electrical connection code 9 and D.

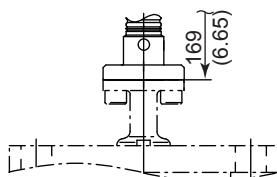
- With Process connections code 4



- With Process connections code 8 and 9



- With process connections code P



\*1: Only for EJX530A and EJX630A whose measurement span code is A, B, or C.

\*2: 58 mm(2.28 inch) for measurement span code D.

\*3: 11 mm(0.43 inch) for measurement span code D.

\*4: When electrical connection code 7 or C is selected, a blind plug is protruded up to 8 mm from the conduit connection.

- Terminal Configuration for Connecting DRS cable

