

# Drawings

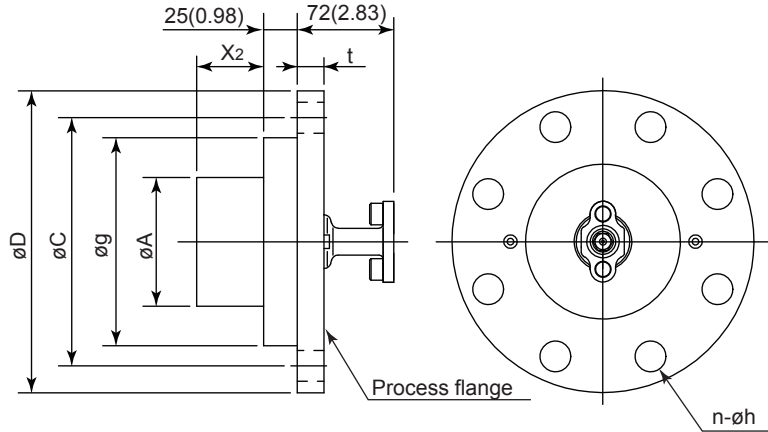
C20FE  
Direct Mount Flanged Diaphragm Seal  
(Extended type)

DP **harp** **EJX**<sup>®</sup>  
DP **harp** **EJA**<sup>®</sup>

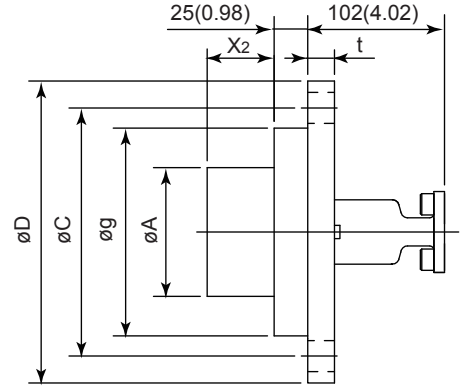
SD 01C25W62-01EN

Unit: mm (approx. inch)

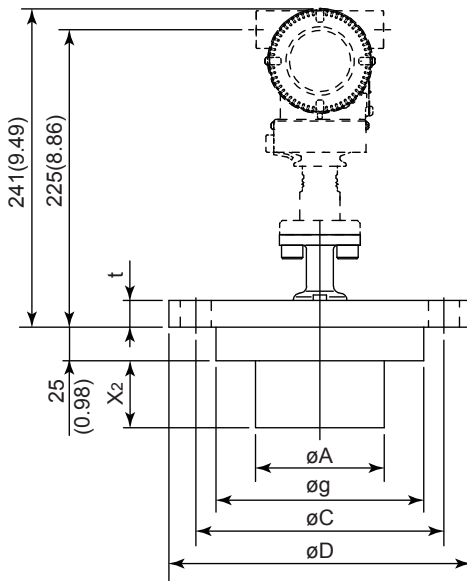
- For general use (Stay style code: S)



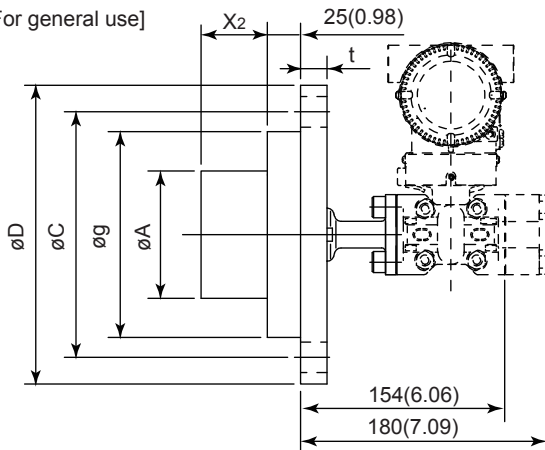
- For high temperature use (Stay style code: L)



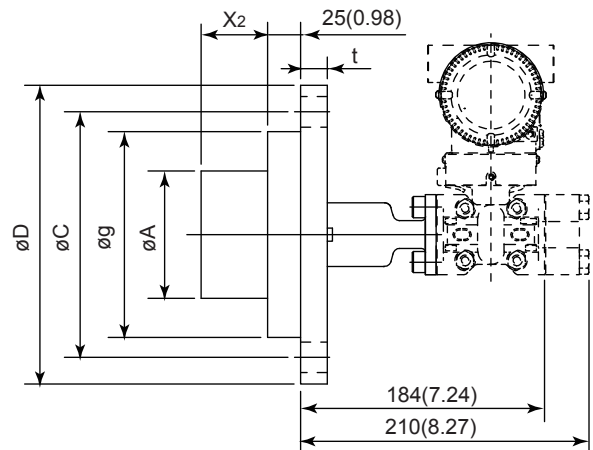
- For EJXC50A, EJAC50E, or EJXC40A



- For EJXC80A or EJAC80E  
[For general use]



[For high temperature use]



Unit: mm (approx. inch)

**Process flange size: 100A(4B)**

Flange standards code	Flange rating code	Flange rating	øD	øC	øg	t	Bolt holes		øA
							No.(n)	Dia.(øh)	
J	A	JIS 10K	210(8.27)	175(6.89)	155(6.10)	18(0.71)	8	19(0.75)	96±0.5(3.78±0.02)
J	B	JIS 20K	225(8.86)	185(7.28)	155(6.10)	24(0.94)	8	23(0.91)	96±0.5(3.78±0.02)
J	D	JIS 40K	250(9.84)	205(8.07)	155(6.10)	36(1.42)	8	25(0.98)	96±0.5(3.78±0.02)
A	1	ANSI class 150	228.6(9.00)	190.5(7.50)	155(6.10)	23.9(0.94)	8	19.1(0.75)	96±0.5(3.78±0.02)
A	2	ANSI class 300	254.0(10.00)	200.2(7.88)	155(6.10)	31.8(1.25)	8	22.4(0.88)	96±0.5(3.78±0.02)
A	4	ANSI class 600	273(10.75)	215.9(8.50)	155(6.10)	38.1(1.50)	8	25.4(1.00)	96±0.5(3.78±0.02)
P	1	JPI class 150	229(9.02)	190.5(7.50)	155(6.10)	24(0.94)	8	19(0.75)	96±0.5(3.78±0.02)
P	2	JPI class 300	254(10.0)	200.2(7.88)	155(6.10)	32(1.26)	8	22(0.87)	96±0.5(3.78±0.02)
P	4	JPI class 600	273(10.75)	215.9(8.50)	155(6.10)	38.5(1.52)	8	26(1.02)	96±0.5(3.78±0.02)
D	H	DIN PN 10/16	220(8.66)	180(7.09)	155(6.10)	20(0.79)	8	18(0.71)	96±0.5(3.78±0.02)
D	K	DIN PN 25/40	235(9.23)	190(7.48)	155(6.10)	24(0.94)	8	22(0.87)	96±0.5(3.78±0.02)

**Process flange size: 80A(3B)**

Flange standards code	Flange rating code	Flange rating	øD	øC	øg	t	Bolt holes		øA
							No.(n)	Dia.(øh)	
J	A	JIS 10K	185(7.28)	150(5.91)	130(5.12)	18(0.71)	8	19(0.75)	71±0.5(2.8±0.02)
J	B	JIS 20K	200(7.87)	160(6.30)	130(5.12)	22(0.87)	8	23(0.91)	71±0.5(2.8±0.02)
J	D	JIS 40K	210(8.27)	170(6.69)	130(5.12)	32(1.26)	8	23(0.91)	71±0.5(2.8±0.02)
A	1	ANSI class 150	190.5(7.50)	152.4(6.00)	130(5.12)	23.9(0.94)	4	19.1(0.75)	71±0.5(2.8±0.02)
A	2	ANSI class 300	209.6(8.25)	168.1(6.62)	130(5.12)	28.5(1.12)	8	22.4(0.88)	71±0.5(2.8±0.02)
A	4	ANSI class 600	209.6(8.25)	168.1(6.62)	130(5.12)	31.8(1.25)	8	22.4(0.88)	71±0.5(2.8±0.02)
P	1	JPI class 150	190(7.48)	152.4(6.00)	130(5.12)	24(0.94)	4	19(0.75)	71±0.5(2.8±0.02)
P	2	JPI class 300	210(8.27)	168.1(6.62)	130(5.12)	28.5(1.12)	8	22(0.87)	71±0.5(2.8±0.02)
P	4	JPI class 600	210(8.27)	168.1(6.62)	130(5.12)	32.0(1.26)	8	22(0.87)	71±0.5(2.8±0.02)
D	H	DIN PN 10/16	200(7.87)	160(6.30)	130(6.30)	20(0.79)	8	18(0.71)	71±0.5(2.8±0.02)
D	K	DIN PN 25/40	200(7.87)	160(6.30)	130(6.30)	24(0.94)	8	18(0.71)	71±0.5(2.8±0.02)

**● Extension length (X2)**

Extension code	X2
2	50±0.5(1.97±0.02)
4	100±0.5(3.94±0.02)
6	150±0.5(5.91±0.02)
8	200±0.8(7.87±0.03)