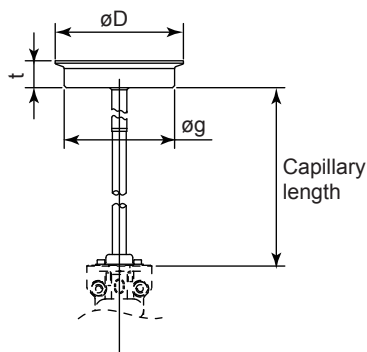


# Drawings

## C70SW Remote Mount Hygienic Diaphragm Seal (Flush Type)

SD 01C25W71-01EN

Unit: mm (approx. inch)



Process Connection Standards Code	Industry Standard/Size	$\varnothing D$	$\varnothing g$	t
2	ISO51	64(2.52)	51.6(2.03)	20(0.79)
3	ISO76.1	91(3.58)	76.7(3.02)	25(0.98)
4	ISO101.6	119(4.69)	102.5(4.04)	25(0.98)