

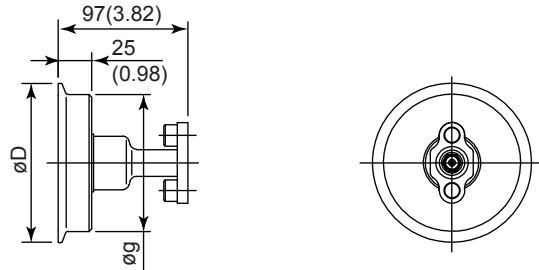
Drawings

C30SW
Direct Mount Hygienic Diaphragm Seal
(Flush Type)

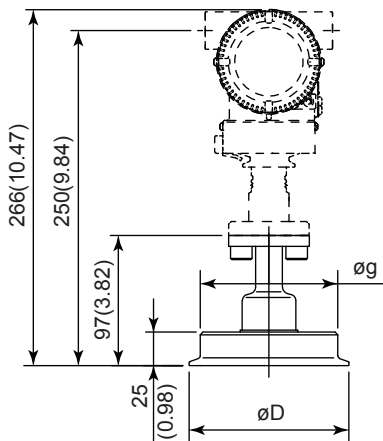


SD 01C25W75-01EN

Unit: mm (approx. inch)

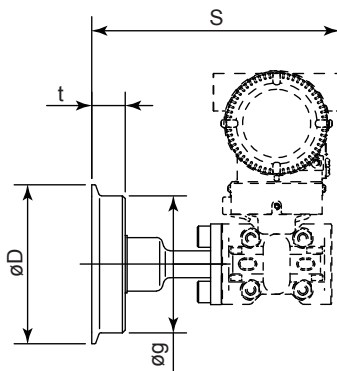


- For EJXC50A, EJAC50E, and EJXC40A



| Process Connection Standards Code | Industry Standard/Size | $\varnothing D$ | $\varnothing g$ |
|-----------------------------------|------------------------|-----------------|-----------------|
| 3 | ISO76.1 | 91(3.58) | 76.7(3.02) |
| 4 | ISO101.6 | 119(4.69) | 102.5(4.04) |

- For EJXC80A and EJAC80E



| Process Connection Standards Code | Industry Standard/Size | $\varnothing D$ | $\varnothing g$ | S | t |
|-----------------------------------|------------------------|-----------------|-----------------|-----------|----------|
| 2 | ISO51 | 64(2.52) | 51.6(2.03) | 174(6.85) | 20(0.79) |
| 3 | ISO76.1 | 91(3.58) | 76.7(3.02) | 179(7.05) | 25(0.98) |
| 4 | ISO101.6 | 119(4.69) | 102.5(4.04) | 179(7.05) | 25(0.98) |