

Drawings

EJX110B
 Differential Pressure Transmitter
 Wetted Parts Material Code S
 (Except for Measurement Span Code F
 and Option Code /HD, /HD2)



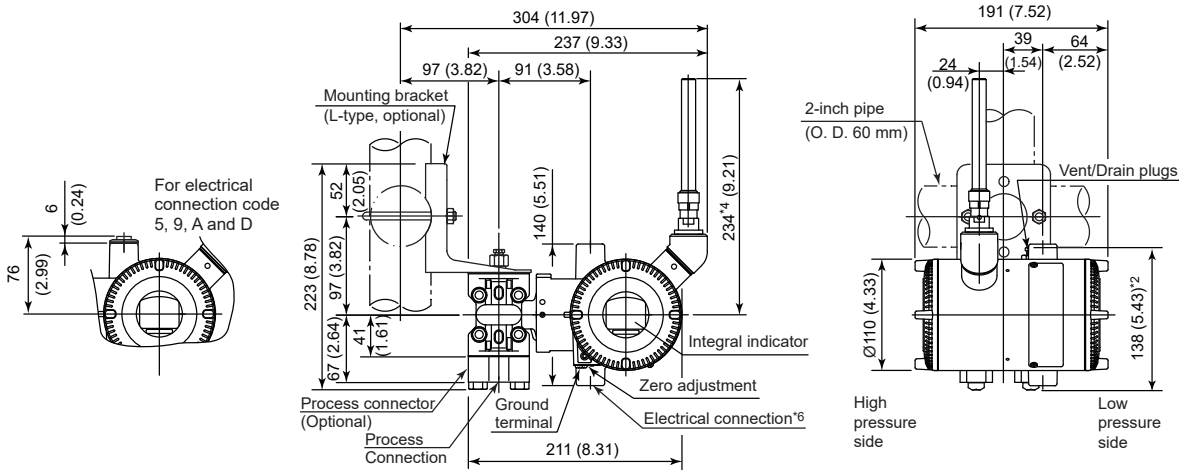
SD 01C27B01-01EN

[Style: S1]

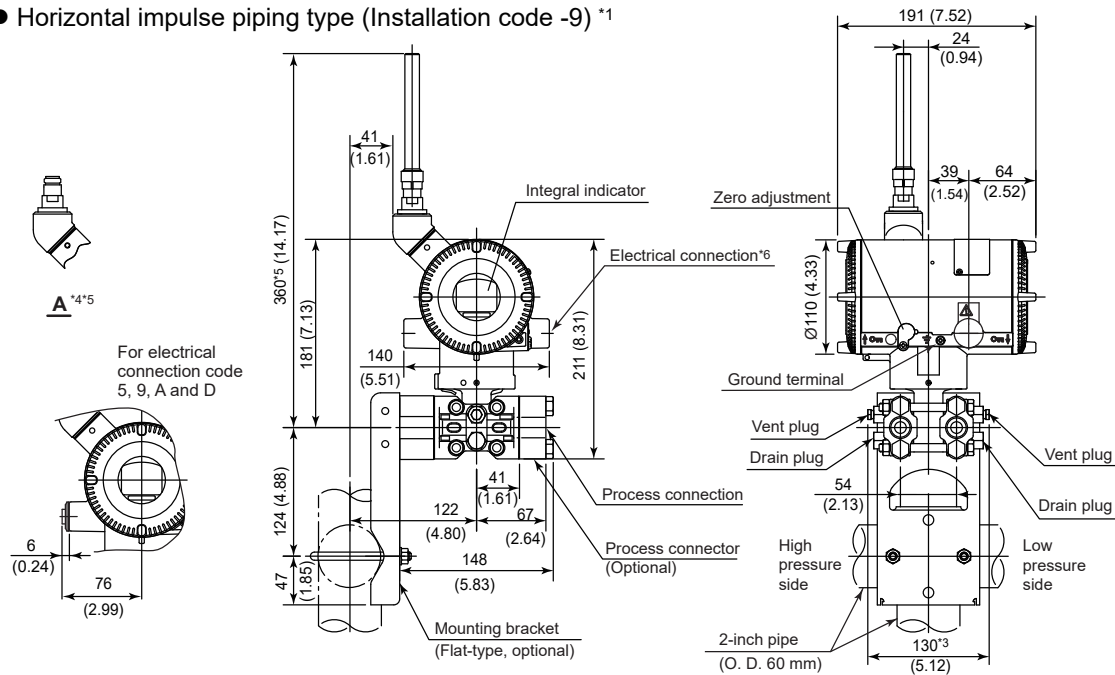
Unit: mm (approx. inch)

Wetted Parts Material Code S
 (Except for Measurement Span Code F and Option Code /HD, /HD2)

- Vertical impulse piping type (Installation code -7)

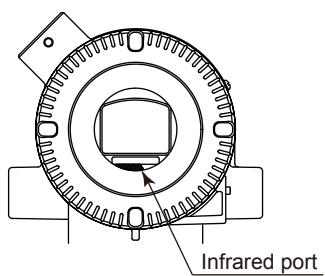


- Horizontal impulse piping type (Installation code -9) *1



*1: When installation code -8 is selected, high and low pressure side on above figure are reversed. (i.e. High pressure side is on the right side.)
 *2: When option code K1, K2, K5, or K6 is selected, add 15 mm (0.59 inch) to the value in the figure.
 *3: When option code K1, K2, K5, or K6 is selected, add 30 mm (1.18 inch) to the value in the figure.
 *4: When amplifier housing code 9 is selected, the value is 114 mm (4.49 inch). In this case, the figure is shown as A.
 *5: When amplifier housing code 9 is selected, the value is 240 mm (9.45 inch). In this case, the figure is shown as A.
 *6: Applicable for the external powered type.
 *7: When electrical connection code 7 or C is selected, a blind plug is protruded upto 8 mm (0.31 inch) from the electrical connection.

- Infrared Configuration



- Terminal Configuration for the External Powered type

