

Drawings

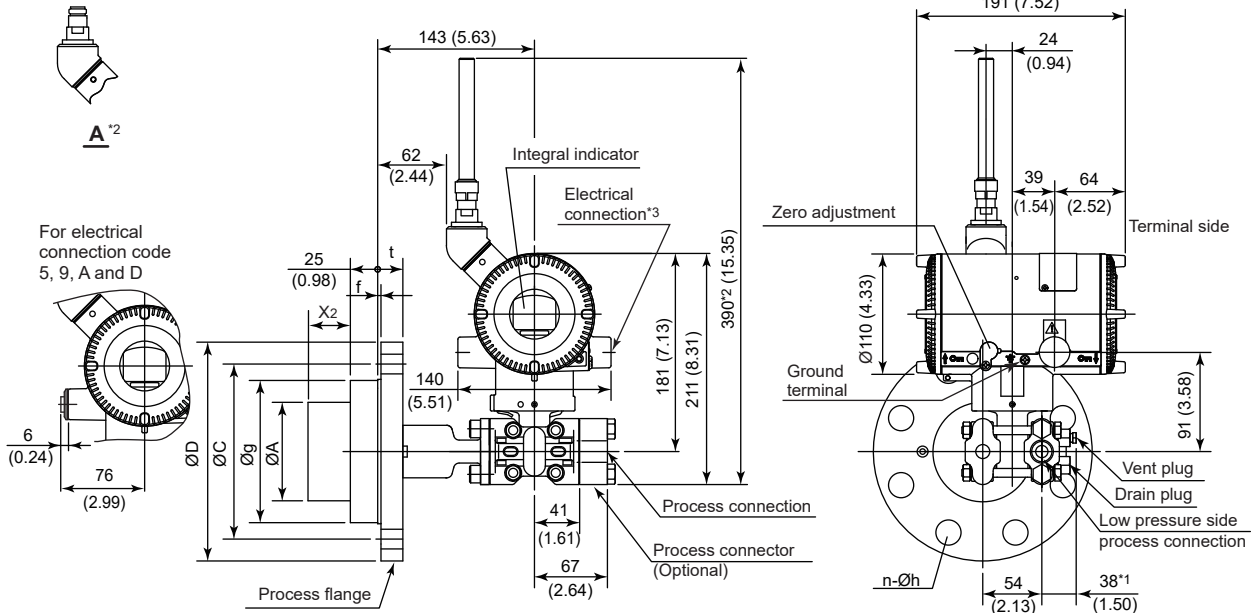
EJX210B Flange Mounted Differential Pressure Transmitter (Extended type)



SD 01C27C02-01EN

[Style: S1]

Unit: mm (approx. inch)



- *1: When option code K1 or K5 is selected, add 15 mm (0.59 inch) to the value in the flange.
Add 11 mm (0.36 inch) for drain/vent plugs of flushing connection ring.
- *2: When amplifier housing code 9 is selected, the value is 270 mm (10.63 inch).
In this case, the figure is shown as A.
- *3: Applicable for the external powered type.
- *4: When electrical connection code 7 or C is selected, a blind plug is protruded upto 8 mm from the electrical connection.

Process flange size: 4-inch (100 mm)

Flange Rating	ØD	ØC	Øg	ØA	t	Bolt holes	
						No.(n)	Dia.(Øh)
JIS 10K	210 (8.27)	175 (6.89)	155 (6.10)	96±0.5 (3.78)	18 (0.71)	8	19 (0.75)
JIS 20K	225 (8.86)	185 (7.28)	155 (6.10)	96±0.5 (3.78)	24 (0.94)	8	23 (0.91)
ANSI Class 150	228.6 (9.00)	190.5 (7.50)	155 (6.10)	96±0.5 (3.78)	23.9 (0.94)	8	19.1 (0.75)
ANSI Class 300	254 (10.00)	200.2 (7.88)	155 (6.10)	96±0.5 (3.78)	31.8 (1.25)	8	22.4 (0.88)
JPI Class 150	229 (9.02)	190.5 (7.50)	155 (6.10)	96±0.5 (3.78)	24 (0.94)	8	19 (0.75)
JPI Class 300	254 (10.00)	200.2 (7.88)	155 (6.10)	96±0.5 (3.78)	32 (1.26)	8	22 (0.87)
DIN PN 10/16	220 (8.66)	180 (7.09)	155 (6.10)	96±0.5 (3.78)	20 (0.79)	8	18 (0.71)
DIN PN 25/40	235 (9.25)	190 (7.48)	155 (6.10)	96±0.5 (3.78)	24 (0.94)	8	22 (0.87)

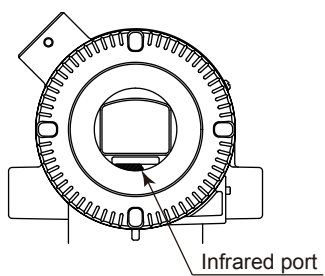
Process flange size: 3-inch (80 mm)

Flange Rating	ØD	ØC	Øg	ØA	t	Bolt holes	
						No.(n)	Dia.(Øh)
JIS 10K	185 (7.28)	150 (5.91)	130 (5.12)	71±0.5 (2.80)	18 (0.71)	8	19 (0.75)
JIS 20K	200 (7.87)	160 (6.30)	130 (5.12)	71±0.5 (2.80)	22 (0.87)	8	23 (0.91)
ANSI Class 150	190.5 (7.50)	152.4 (6.00)	130 (5.12)	71±0.5 (2.80)	23.9 (0.94)	4	19.1 (0.75)
ANSI Class 300	209.6 (8.25)	168.1 (6.62)	130 (5.12)	71±0.5 (2.80)	28.5 (1.12)	8	22.4 (0.88)
JPI Class 150	190 (7.48)	152.4 (6.00)	130 (5.12)	71±0.5 (2.80)	24 (0.94)	4	19 (0.75)
JPI Class 300	210 (8.27)	168.1 (6.62)	130 (5.12)	71±0.5 (2.80)	28.5 (1.12)	8	22 (0.87)
DIN PN 10/16	200 (7.87)	160 (6.30)	130 (5.12)	71±0.5 (2.80)	20 (0.79)	8	18 (0.71)
DIN PN 25/40	200 (7.87)	160 (6.30)	130 (5.12)	71±0.5 (2.80)	24 (0.94)	8	18 (0.71)

● Extension length (X2)

Extension code	X2
1	50 (1.97)
3	100 (3.94)
5	150 (5.91)

- Infrared Configuration



- Terminal Configuration for the External Powered type

