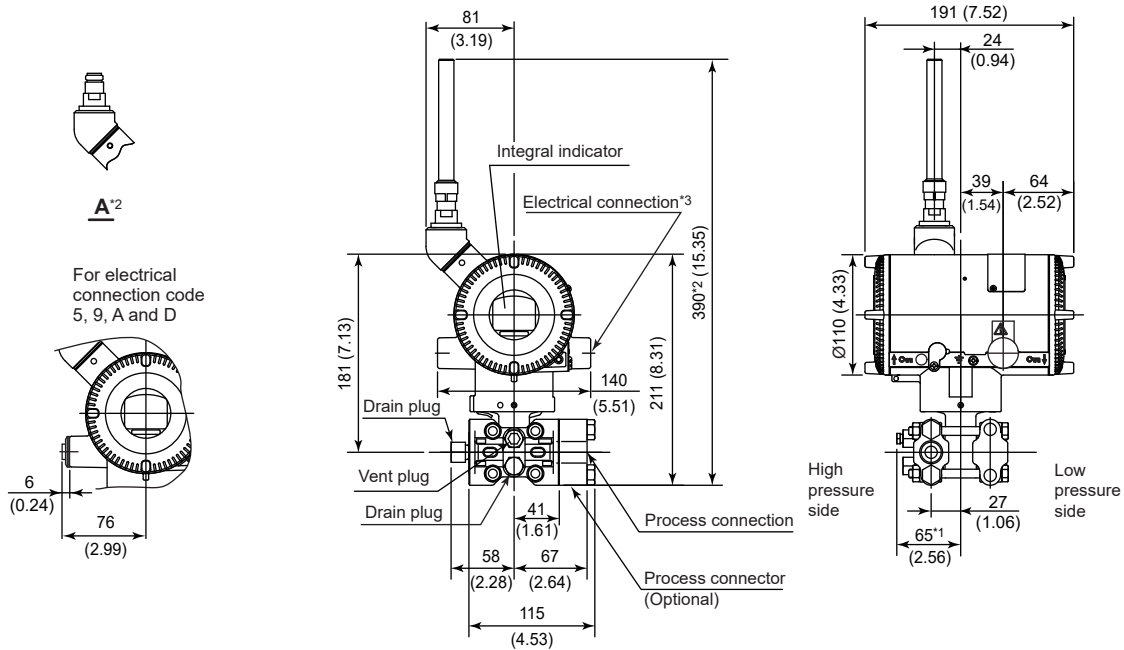


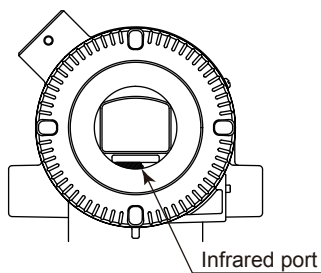
Unit: mm (approx. inch)

● Universal flange type (Installation code -U)



- *1: When option code K1, K2, K5, or K6 is selected, add 15 mm (0.59 inch) to the value in the figure.
- *2: When amplifier housing code 9 is selected, the value is 270 mm (10.63 inch).
In this case, the figure is shown as A.
- *3: Applicable for the external powered type.
- *4: When electrical connection code 7 or C is selected, a blind plug is protruded up to 8 mm from the electrical connection.

● Infrared Configuration



● Terminal Configuration for the External Powered type

