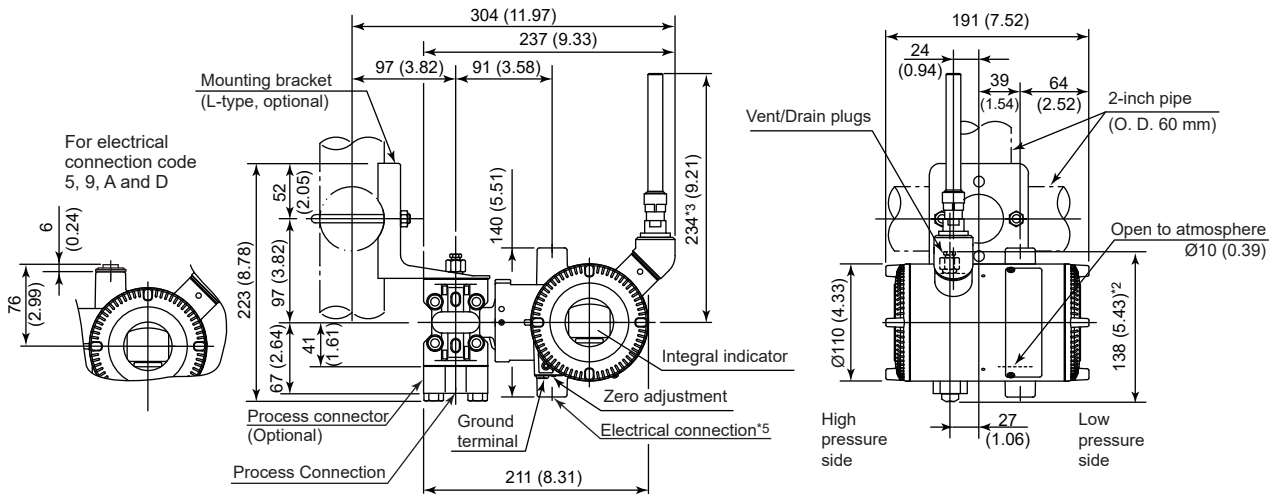
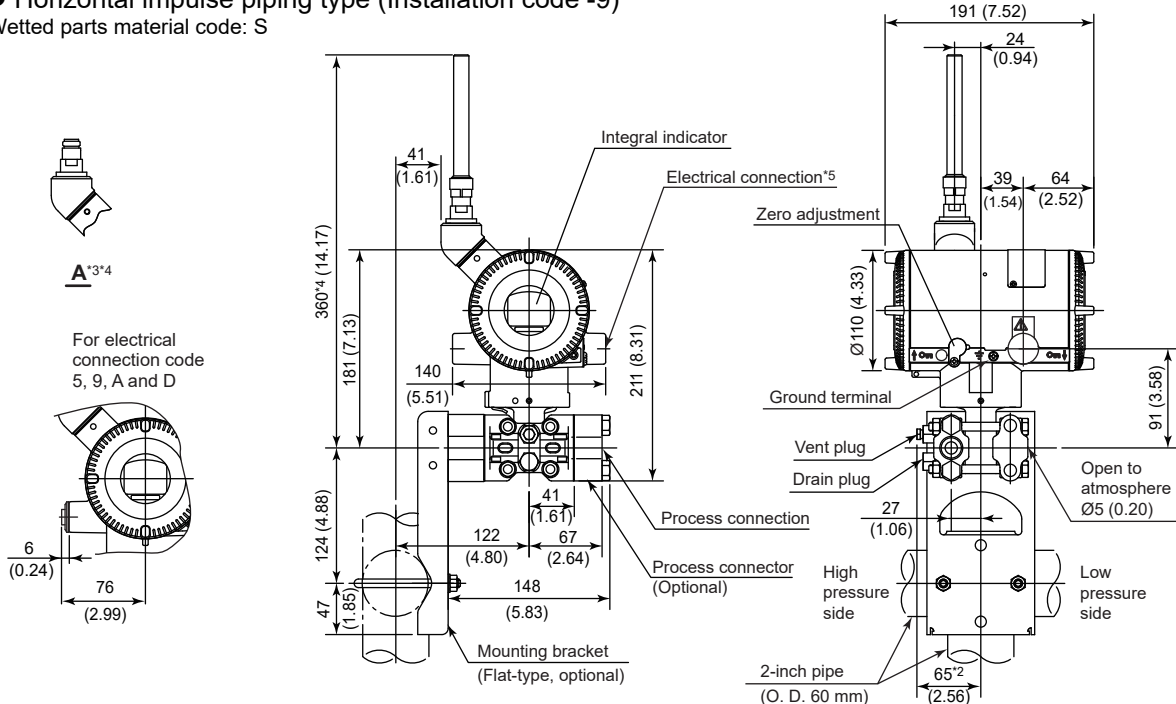


Unit: mm (approx. inch)

● Vertical impulse piping type (Installation code -7) *1
Wetted parts material code: S

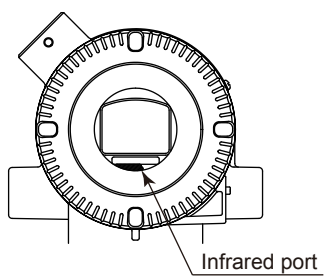


● Horizontal impulse piping type (Installation code -9) *1
Wetted parts material code: S



- *1: When installation code -3 and -8 is selected, high and low pressure side on above figure are reversed. (i.e. High pressure side is on the right side.)
- *2: When option code K1, K2, K5, or K6 is selected, add 15 mm (0.59 inch) to the value in the figure.
- *3: When amplifier housing code 9 is selected, the value is 114 mm (4.49 inch). In this case, the figure is shown as A.
- *4: When amplifier housing code 9 is selected, the value is 240 mm (9.45 inch). In this case, the figure is shown as A.
- *5: Applicable for the external powered type.
- *6: When electrical connection code 7 or C is selected, a blind plug is protruded upto 8 mm from the electrical connection.

- Infrared Configuration



- Terminal Configuration for the External Powered type

