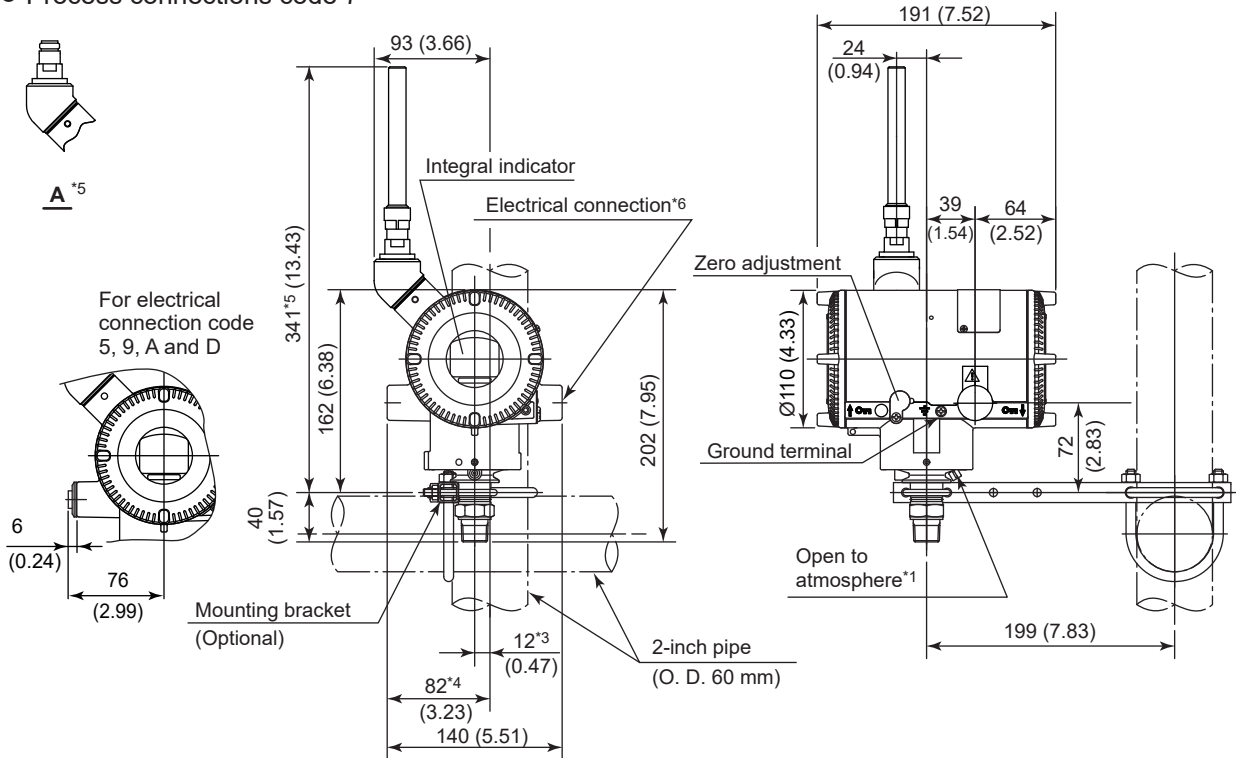


Unit: mm (approx. inch)

● Process connections code 7

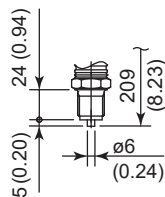


- *1: Applicable for EJX530B Measurement span code A, B, and C.
- *2: 91 mm (3.58 inch) for Measurement span code D.
- *3: 11 mm (0.43 inch) for Measurement span code D.
- *4: 80 mm (3.15 inch) for Measurement span code D.
- *5: When amplifier housing code 9 is selected, the value is 221 mm (8.70 inch).
In this case, the figure is shown as A.
- *6: Applicable for the external powered type.
- *7: When electrical connection code 7 or C is selected, a blind plug is protruded upto 8 mm from the electrical connection.

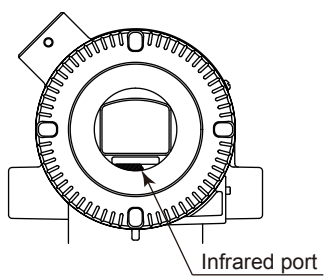
● Process connections code 4



● Process connections code 8 and 9



- Infrared Configuration



- Terminal Configuration for the External Powered type

