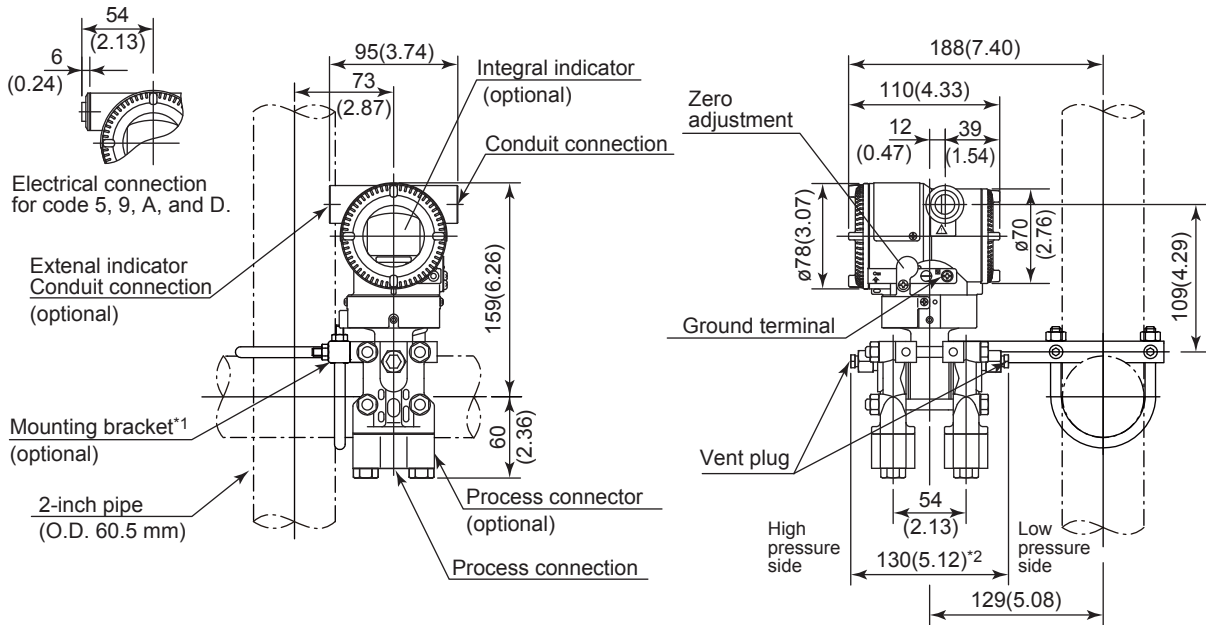
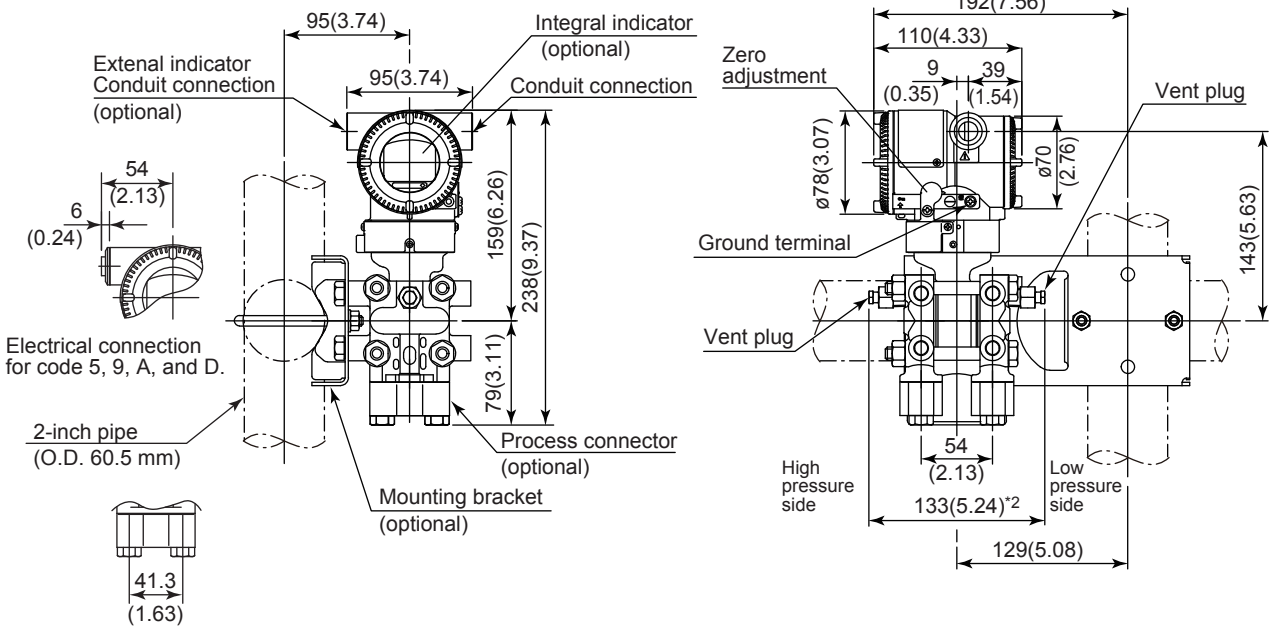


Unit: mm (approx. inch)

- Bottom Process Connection (Installation code B)
Measurement span code M, H and V, except for option code /HD



Measurement span code F or option code /HD

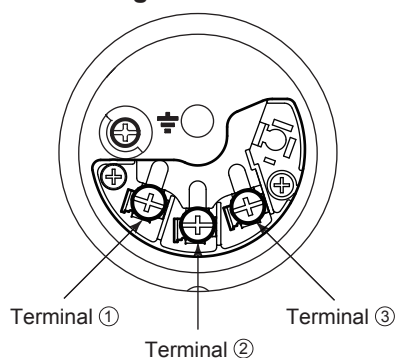


*1: A transmitter with SST housing is not applicable for mounting to horizontal 2-inch pipe.

*2: When option code K1, K2, K5 or K6 is selected, add 30 mm (1.18 inch) to the value in the figure.

*3: When electrical connection code 7 or C is selected, a blind plug is protruded up to 8 mm from the conduit connection.

- **Terminal Configuration**



- **Terminal Wiring for 4 to 20 mA output, FOUNDATION Fieldbus and PROFIBUS PA communication types**

SUPPLY	+	①] Power supply and output terminals
	-	②	
CHECK	+	③] External indicator (ammeter) terminals ^{*1,2}
	-	②	
			⏏ Ground terminal

*1: When using an external indicator or check meter, the internal resistance must be 10 Ω or less.

*2: Not available for FOUNDATION Fieldbus and PROFIBUS PA communication types.

- **Terminal Wiring for 1 to 5 V output**

SUPPLY	+	①] Power supply terminals
	-	②	
VOUT	+	③] 1 to 5 V DC with HART communication terminals
	-	②	
			⏏ Ground terminal

Three or four wire connection. For four wire connection, both supply and signal lines use SUPPLY - terminal.